

MATÄLSKARE

GB

DE

FR

IT



Design and Quality
IKEA of Sweden



Please refer to the last page of this manual for the full list of IKEA appointed Authorized Service Centre and relative national phone numbers.



Gehen Sie dazu auf die letzte Seite dieser Broschüre. Dort finden Sie eine Übersicht mit den entsprechenden Telefonnummern und Kontaktdaten unserer autorisierten Kundendienste.



Consultez la dernière page de ce manuel pour la liste complète des centre d'entretien et de réparation agréés IKEA avec leur numéro de téléphone respectifs.



Siete pregati di contattare il numero del Centro Assistenza Autorizzato incaricato da IKEA riportato sull'ultima pagina di questo manuale.

ENGLISH
DEUTSCH
FRANÇAIS
ITALIANO

4
16
29
46

Contents

Safety Information	4	What to do if ...	11
Use	7	Technical data	12
Product description	8	Environmental concerns	13
Control panel	8	IKEA GUARANTEE	14
Cleaning and maintenance	9		

Safety Information


Before first use

Your safety and that of others is paramount.


Remove cardboard protection pieces, protective film and adhesive labels from accessories.


Check the appliance for any transport damage.

To avoid any damage do not place any weights on the appliance. Do not expose the appliance to atmospheric agents. This manual and the appliance itself provide important safety warnings, to be read and observed at all times.

 This is the attention symbol, pertaining to safety, which alerts users to potential risks to themselves and others.

All safety warnings are preceded by the attention symbol and the following terms:

 **DANGER:** indicates a hazardous situation which, if not avoided, will cause serious injury.


 **WARNING:** Indicates a hazardous situation which, if


not avoided, could cause serious injury.

All safety warnings give specific details of the potential danger/warning present and indicate how to reduce risk of injury, damage and electric shock resulting from improper use of the appliance. Carefully observe the following instructions.

Precautions and general recommendations


- The electrical installation and the electrical connection must be carried out by a qualified technician according to the manufacturer's instructions and in compliance with the local safety regulations. Do not repair or replace any part of the appliance unless specifically stated in the user manual.
- The appliance must be disconnected from the power supply before carrying out any installation work.

 **WARNING:** Failure to install the screws or fixing device in accordance with these instructions may result in electrical hazards.

- Earthing of the appliance is compulsory. (Not possible for class II hoods identified by the symbol  on the dataplate).
- Do not pull the power supply cable in order to unplug the appliance.
- The electrical components must not be accessible to the user after installation.
- Do not touch the appliance with any wet part of the body and do not operate it when barefoot.
- This appliance can be used by children aged from 8 years and above and persons with reduced physical, sensory or mental capabilities or lack of experience and knowledge if they have been given supervision or instruction concerning use of the appliance in a safe way and understand the hazards involved. Children shall not play with the appliance. Cleaning and user maintenance shall not be made by children without supervision.
- All other maintenance services must be carried out by a specialised technician.
- When drilling through the wall pay attention not to damage electric connections and/or pipes.
- Air vents must always discharge to the outside.
- The manufacturer rejects all responsibilities for any damage caused by improper use or wrong settings.
- Appropriate maintenance and cleaning ensure the good working order and the best performance of the appliance. Regularly clean all stubborn surface dirt to avoid grease build up. Remove and clean or change the filter regularly. This must be completed in accordance with the “Cleaning and maintenance” instructions provided.
- Never flame cook food (flambé) under the appliance. Using free flames might cause fire.
- Failure to observe the instructions for cleaning the hood and replacing the filters may result in a fire.
- Exhaust air must not be vented through a flue used for removal of fumes produced by gas combustion appliances or other combustible materials, but must have a separate outlet. All national regulations governing extraction of fumes must be observed.
- There shall be adequate ventilation if the hood is being used at the same time as other appliances using gas or other combustible materials. The negative pressure of the room

must not exceed 4 Pa (4x 10⁻⁵ bars). For this reason ensure that the room is well ventilated. In case of doubts, please consult an authorized service assistance center or similar qualified person.


- Do not leave frying pans unattended when frying, as the frying oil may catch fire.
- Before touching the light bulbs, ensure that they are cold.
- Do not use or leave the hood without the light bulb correctly fitted, as this may cause electric shock.
- The hood is not a work surface, therefore do not place any objects on top of it or overload it.
- During all installation and maintenance operations wear appropriate working gloves.
- This appliance is not suitable for outdoor use.

 **WARNING:** when the hob is in use, accessible parts of the hood may become hot.

Installation and connection

In the event of problems, contact the Authorized Service Centre. To prevent any damage, only remove the appliance from its packaging at the time of installation.

Preparing for installation

 **WARNING:** this is a heavy product; the hood should only be lifted and installed by two or more people.

The minimum distance between the hob and the bottom part of the hood must not be less than 65 cm for burning gas or other fuels and 50cm for electric cookers.

Before installation also check the minimum distances stated in the manual of the cooker.

If the installation instructions for the cooker specify a greater distance between cooker and hood, this distance must be observed.

Electrical connection

Make sure the power voltage specified on the appliance rating plate is the same as the mains voltage.

This information can be found on the inside of the hood, under the grease filter. Power cable replacement (type H05 VV-F) must be carried out by a qualified electrician. Contact an authorized service centre.

If the hood is fitted with an electric plug, connect the plug to a socket complying with current regulations, located in an accessible place.

⚠ WARNING: if no plug is fitted (direct wiring to the mains), or if the socket is not located in an accessible place, a qualified electrician should install a

standardised double pole power switch that will enable complete isolation from the mains in case of category III overvoltage conditions, in accordance with wiring rules.

Use

The hood has been designed to be installed and used either as a “Extraction installation”, or as a “Recirculation installation”.

Extraction installation (see symbol in installation booklet)

Cooking steam is sucked and channelled outside the house through a discharge duct (not supplied), fitted to the hood steam outlet.

Ensure that the discharge duct is correctly fitted to the air outlet, unit using an appropriate connection system.

Important: If already installed, remove the charcoal filter/s.

Recirculation installation

(see symbol  in installation booklet)

The air is filtered through one or more the charcoal filters, and then resent into room.

Important: Ensure appropriate air circulation around the hood.

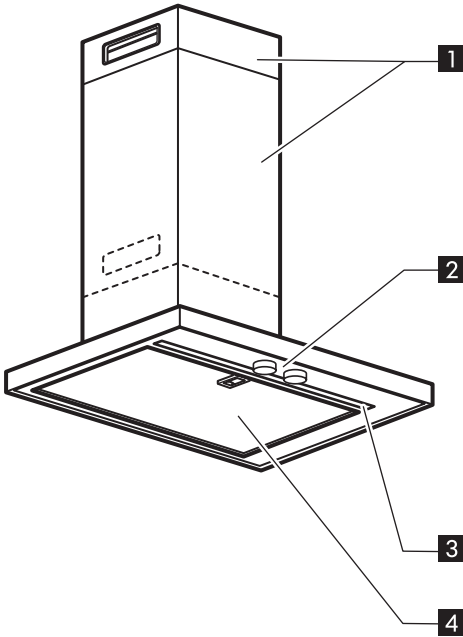
Important: If the hood is supplied without charcoal filters, these must be fitted before the hood can be used. Filters are available in IKEA shops.

The hood should be installed away from particularly dirty areas, windows, doors and heat sources.

The accessories for wall fixing are not included because walls made of different materials require different types of fixing accessories. Use fixing systems suitable for the walls of your home and the weight of the appliance. For more details, contact a specialized dealer.

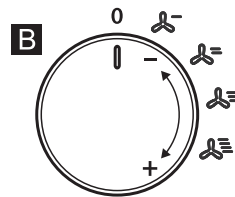
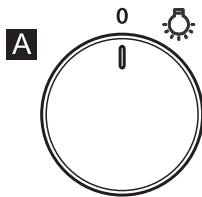
Keep this booklet for future consultation.

Product description



- 1** Chimney.
- 2** Control Panel.
- 3** Light.
- 4** Grease filter.

Control panel



A Light ON/OFF knob

B Suction (power) speed selector knob

0 OFF

Low suction (power) speed

Medium suction (power) speed

High suction (power) speed

Maximun suction (power) speed

Cleaning and maintenance

WARNING:

- Never use steam cleaning equipment.
- Disconnect the hood from the electric power supply.

IMPORTANT: do not use corrosive or abrasive detergents. If any of these products accidentally comes into contact with the appliance, clean immediately with a damp cloth.

- Clean the surfaces with a damp cloth. If it is very dirty, add a few drops of washing up detergent to the water. Finish off with a dry cloth.

IMPORTANT: do not use abrasive sponges or metallic scrapers or scourers. Over time, these can ruin the surface.

- Use detergents specifically designed for cleaning the appliance and follow the manufacturer instructions.

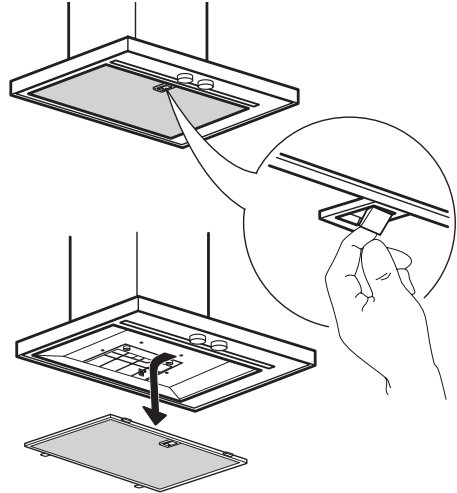
IMPORTANT: clean the grease filters at least monthly to remove any oil or grease residuals.

To clean the grease filter

The metal grease filter has an unlimited life and must be washed once a month by hand or dishwasher at low temperature and with a short cycle. With cleaning in a dishwasher the grease filter may become dull; this does not effect its filtering capacity.

Grease filter maintenance:

1. Disconnect the hood from the electric power supply.
2. Remove the grease filters: pull the spring release handle downwards, then remove the filter.
3. After cleaning the grease filter, remount in reverse order ensuring the entire extraction surface is covered.



Charcoal filter maintenance (if the hood is installed in recirculation mode)

1. Unplug the appliance or disconnect the power supply.
2. Remove the grease filter as previously indicated in the grease filter chapter.
3. Remove charcoal filter holder
4. Remove/add charcoal filter
5. Hook the carbon filter firstly to the metal tab at the back on the hood.
6. Fix it at the front with the two knobs.
7. Refit the grease filter.

Unlike traditional charcoal filters, this charcoal filter can be washed and reactivated.

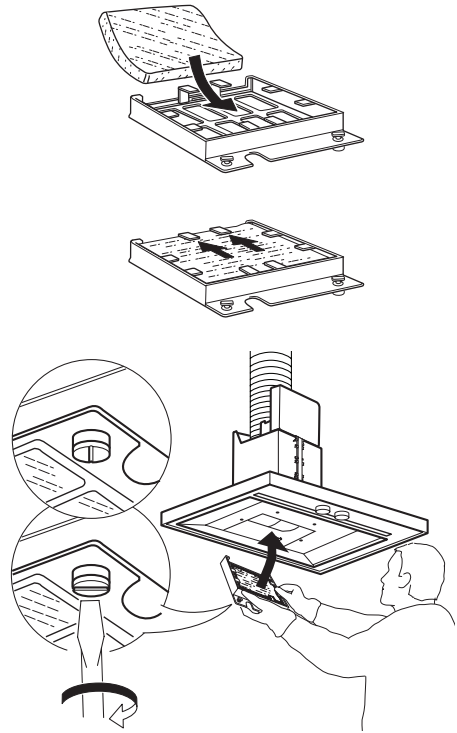
With normal hood use, the filter should be cleaned once a month. The best way to clean the filter is in a dishwasher at the highest temperature possible, using a normal dishwasher detergent. To avoid particles of food or dirt settling on the filter during washing and giving rise to unpleasant smells, it is advisable to wash the filter on its own. After washing, dry the filter in the oven at 100°C for 10 minutes to reactivate it. The filter will retain its odour-absorbing capacity for three years, after which it will have to be replaced.

Lamp maintenance

The hood is equipped with a lighting system based on LED technology.

The LEDs guarantee an optimum lighting, a duration up to 10 times as long as the traditional lamps and allow to save 90% electrical energy.

For replacement, contact the Authorized Service Centre.



What to do if ...

Problem	Possible cause	Solution
The appliance does not work	There is no mains electrical power	Check for the presence of mains electrical power. Turn off the appliance and restart it to see if the faults persists.
	The appliance is not connected to the electrical supply	Check if the appliance is connected to the electrical supply. Turn off the appliance and restart it to see if the faults persists.
The hood's suction level is not enough	The suction speed is too low	Check the suction speed and adjust as necessary.
	The grease filters are dirty 4	Check that the filters are clean If not, clean the filters in the dishwasher.
	The anti-odors filters are dirty	Check that the anti-odour filters are properly washed as recommended
	The air vents are obstructed	Check the air vents for any obstructions and remove as necessary.
The light does not work	The LED is broken 3	For replacement, contact the Authorized Service Centre.

Before contacting the Authorized Service Centre:

Switch the appliance on again to see if the problem has disappeared. If not, switch it off again and repeat the operation after an hour. If your appliance still does not work properly after carrying out the checks listed in the troubleshooting guide and switching the appliance on again, contact the Authorized Service Centre, clearly explaining the problem and specifying:

- the type of fault;
- the model;
- the type and serial number of the appliance (given on the rating plate);
- the Service number (the number after the word SERVICE on the rating plate inside the appliance).

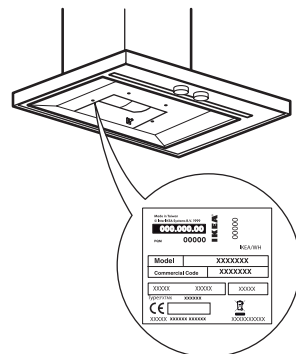
SERVICE 0000 000 00000



Technical data


Type of product		Wall mounted hood	
Dimensions	Width	mm	598
	Depth	mm	458
	Height min	mm	633
	Height max	mm	1088
Total power		W	217
Lamps info	Type		LED
	Number & Power	W	1x7W
	Socket		strip led
Installation minimum height - gas hob		cm	65
Installation minimum height - elec hob		cm	50
Product Weight		Kg	12,9
Additional Product Information compliant to commission regulation (EU) No 66/2014			
Model identifier			MATÅLSKARE 90368800 MATÅLSKARE 60368806 MATÅLSKARE 10368804 MATÅLSKARE 30368803 MATÅLSKARE 40368807 MATÅLSKARE 10388977 MATÅLSKARE 70392325 MATÅLSKARE 00392197 MATÅLSKARE 60392137 MATÅLSKARE 20393964
Annual Energy Consumption		kWh/a	40,6
Time increase factor			0,9
Fluid Dynamic Efficiency		%	29,3
Energy Efficiency Index			51,7
Measured air flow rate at best efficiency point		m ³ /h	278,0
Measured air pressure at best efficiency point		Pa	410,0
Maximum air flow		m ³ /h	510
Measured electric power input at best efficiency point		W	108,0
Nominal power of the lighting system		W	7
Average illumination of the lighting system on the cooking surface		lux	203,0
Power consumption in standby mode		W	NA
Power consumption off mode		W	NA
A-weighted Sound Power Emission at maximum speed		dB(A)	65

The technical information is situated in the rating plate on the internal side of the appliance.




Environmental concerns

Disposal of packing

The packing material is 100% recyclable and is marked with the recycle symbol . The various parts of the packing must therefore be disposed of responsibly and in full compliance with local authority regulations governing waste disposal.

Scrapping the product

- This appliance is marked in compliance with European Directive 2012/19/EU, Waste Electrical and Electronic Equipment (WEEE).
- By ensuring this product is disposed of correctly, you will help prevent potential negative consequences for the environment and human health, which could otherwise be caused by inappropriate waste handling of this product.

The symbol  on the product or on the accompanying documentation indicates that it should not be treated as domestic waste but must be taken to an appropriate collection centre for the recycling of electrical and electronic equipment.

Scrapping of household appliances

- This appliance is manufactured with recyclable or reusable materials. Dispose of it in accordance with local waste disposal regulations. Before scrapping, cut off the power supply cable.
- For further information on the treatment, recovery and recycling of household electrical appliances, contact your competent local authority, the collection service for household waste or the store where you purchased the appliance.

Energy saving tips

- Switch ON the hood at minimum speed when you start cooking and kept it running for few minutes after cooking is finished.
- Increase the speed only in case of large amount of smoke and vapour and use boost speed(s) only in extreme situations.
- Replace the charcoal filter(s) when necessary to maintain a good odour reduction efficiency.
- Clean the grease filter(s) when necessary to maintain a good grease filter efficiency.
- Use the maximum diameter of the ducting system indicated in this manual to optimize efficiency and minimize noise.

Declaration of conformity

This appliance has been designed, manufactured and marketed in compliance with:

- safety objectives of the “Low Voltage” Directive 2014/35/EU;
- the eco design requirements of european regulations n. 65/2014, and n. 66/2014 in conformity to the european standard en 61591;
- the protection requirements of Directive “EMC” 2014/30/EU.

Electrical safety of the appliance can only be guaranteed if it is correctly connected to an approved earthing system.

IKEA GUARANTEE

How long is the IKEA guarantee valid?

This guarantee is valid for five years from the original date of purchase of your appliance at IKEA. The original sales receipt, is required as proof of purchase. If service work is carried out under guarantee, this will not extend the guarantee period for the appliance.

Which appliances are not covered by the IKEA five (5) years guarantee?

The range of appliances named LAGAN and all appliances purchased in IKEA before 1st of August 2007.

Who will execute the service?

IKEA service provider will provide the service through its own service operations or authorized service partner network.

What does this guarantee cover?

The guarantee covers faults of the appliance, which have been caused by faulty construction or material faults from the date of purchase from IKEA. This guarantee applies to domestic use only. The exceptions are specified under the headline "What is not covered under this guarantee?" Within the guarantee period, the costs to remedy the fault e.g. repairs, parts, labour and travel will be covered, provided that the appliance is accessible for repair without special expenditure. On these conditions the EU guidelines (Nr. 99/44/EG) and the respective local regulations are applicable. Replaced parts become the property of IKEA.

What will IKEA do to correct the problem?

IKEA appointed Service Provider will examine the product and decide, at its sole discretion, if it is covered under this guarantee. If considered covered, IKEA Service Provider or its authorized service partner through its own service operations, will then, at its sole discretion, either repair the defective product or replace it with the same or a comparable product.

What is not covered under this guarantee?

- Normal wear and tear.

- Deliberate or negligent damage, damage caused by failure to observe operating instructions, incorrect installation or by connection to the wrong voltage, damage caused by chemical or electrochemical reaction, rust, corrosion or water damage including but not limited to damage caused by excessive lime in the water supply, damage caused by abnormal environmental conditions.
- Consumable parts including batteries and lamps.
- Non-functional and decorative parts which do not affect normal use of the appliance, including any scratches and possible color differences.
- Accidental damage caused by foreign objects or substances and cleaning or unblocking of filters, drainage systems or soap drawers.
- Damage to the following parts: ceramic glass, accessories, crockery and cutlery baskets, feed and drainage pipes, seals, lamps and lamp covers, screens, knobs, casings and parts of casings. Unless such damages can be proved to have been caused by production faults.
- Cases where no fault could be found during a technician's visit.
- Repairs not carried out by our appointed service providers and/or an authorized service contractual partner or where non-original parts have been used.
- Repairs caused by installation which is faulty or not according to specification.
- The use of the appliance in a non-domestic environment i.e. professional use.
- Transportation damages. If a customer transports the product to his home or another address, IKEA is not liable for any damage that may occur during transport. However, if IKEA delivers the product to the customer's delivery address, then damage to the product that occurs during this delivery will be covered by IKEA.

- Cost for carrying out the initial installation of the IKEA appliance.
However, if an IKEA appointed Service Provider or its authorized service partner repairs or replaces the appliance under the terms of this guarantee, the appointed Service Provider or its authorized service partner will reinstall the repaired appliance or install the replacement, if necessary.
- This does not apply within Ireland, customer should contact the local IKEA dedicated after sales line or the appointed Service Provider for further information.

(just for GB)

These restrictions do not apply to fault-free work carried out by a qualified specialist using our original parts in order to adapt the appliance to the technical safety specifications of another EU country.

How country law applies

The IKEA guarantee gives you specific legal rights, which cover or exceed all the local legal demands. However these conditions do not limit in any way consumer rights described in the local legislation.

Area of validity

For appliances which are purchased in one EU country and taken to another EU country, the services will be provided in the framework of the guarantee conditions normal in the new country.

An obligation to carry out services in the framework of the guarantee exists only if the appliance complies and is installed in accordance with:

- the technical specifications of the country in which the guarantee claim is made;
- the Assembly Instructions and User Manual Safety Information.

The dedicated AFTER SALES for IKEA appliances

Please don't hesitate to contact IKEA appointed Authorized Service Centre to:

- make a service request under this guarantee;

- ask for clarifications on installation of the IKEA appliance in the dedicated IKEA kitchen furniture;
- ask for clarification on functions of IKEA appliances.

To ensure that we provide you with the best assistance, please read carefully the Assembly Instructions and/or the User Manual before contacting us.

How to reach us if you need our service



Please refer to the last page of this manual for the full list of IKEA appointed Authorized Service Centre and relative national phone numbers.

i In order to provide you a quicker service, we recommend to use the specific phone numbers listed on this manual. Always refer to the numbers listed in the booklet of the specific appliance you need an assistance for. Please also always refer to the IKEA article number (8 digit code) and 12 digit service number placed on the rating plate of your appliance.

i **SAVE THE SALES RECEIPT!**
It is your proof of purchase and required for the guarantee to apply. The sales receipt also reports the IKEA name and article number (8 digit code) for each of the appliances you have purchased.

Do you need extra help?

For any additional questions not related to After Sales of your appliances please contact your nearest IKEA store call centre. We recommend you read the appliance documentation carefully before contacting us.


Inhalt

Sicherheitshinweise	16	Was tun, wenn...	23
Gebrauch	19	Technische Daten	24
Produktbeschreibung	20	Hinweise zum Umweltschutz	25
Bedienfeld	20	IKEA GARANTIE	27
Reinigung und Pflege	21		


Sicherheitshinweise


Vor dem ersten Gebrauch

Ihre eigene Sicherheit und die der Anderen ist sehr wichtig. Entfernen Sie Kartonteile, Schutzfolien und Klebeetiketten von den Zubehörteilen. Kontrollieren Sie das Gerät auf eventuelle Transportschäden. Stellen Sie keine Gegenstände auf dem Gerät ab, um Beschädigungen zu vermeiden. Vermeiden Sie es, das Gerät Witterungseinflüssen auszusetzen. Diese Anweisungen sowie das Gerät beinhalten wichtige Sicherheitshinweise, die Sie durchlesen und stets beachten sollten.

 Dieses Symbol warnt vor möglichen Gefahren für die Sicherheit des Benutzers und andere Personen.

Alle Warnhinweise beginnen mit diesem Warnsymbol und enthalten einen der folgenden Begriffe:

 **GEFAHR:** Weist auf eine Gefahrensituation hin, die zu schweren Verletzungen führt, wenn sie nicht vermieden wird.

 **ACHTUNG:** Weist auf eine Gefahrensituation hin, die bei mangelnder Vorsicht zu schweren Verletzungen führt.

Alle Warnhinweise nennen das mögliche Sicherheitsrisiko und geben an, wie die Gefahr von Verletzungen, Schäden und Stromschlägen durch bestimmungsfremden Gebrauch des Gerätes vermieden werden kann. Halten Sie sich genau an folgende Anweisungen.

Vorsichtsmaßnahmen und allgemeine Empfehlungen


- Die Installation muss unter Beachtung der bestehenden Vorschriften und Gesetze von einem konzessionierten
- Fachmann gemäß den Herstelleranweisungen und in Übereinstimmung mit den geltenden Sicherheitsvorschriften des Landes vorgenommen werden. Reparieren Sie das Gerät nicht selbst und tauschen Sie keine Teile aus, wenn dies vom Benutzerhandbuch nicht ausdrücklich vorgesehen ist.



- Halten Sie das Gerät von der Stromversorgung getrennt, bis der Einbau durchgeführt wurde.



WARNUNG: Wenn die

Schrauben oder Befestigungsvorrichtungen nicht gemäß dieser Anleitungen eingebaut werden, kann dies zu elektrischen Gefahren führen.

- Die Erdung dieses Geräts ist gesetzlich vorgeschrieben. (Dies ist jedoch nicht für Dunstabzüge der Klasse II möglich, die durch das Symbol  auf dem Typenschild gekennzeichnet sind).
- Ziehen Sie nicht am Netzkabel des Gerätes, um den Stecker aus der Steckdose zu ziehen.
- Nach der Installation dürfen Strom führende Teile für den Benutzer nicht mehr zugänglich sein.
- Berühren Sie das Gerät nicht mit feuchten Händen und benutzen Sie es nicht, wenn Sie barfuß sind.
- Erwachsene mit eingeschränkten physischen, sensorischen oder geistigen Fähigkeiten oder einem Mangel an Erfahrung oder Kenntnis des Geräts sowie Kinder ab einem Alter von 8 Jahren dürfen dieses Gerät benutzen, wenn sie dabei beaufsichtigt werden oder in die sichere Verwendung des Geräts eingewiesen worden sind und die damit verbundenen Gefahren begreifen. Kinder dürfen nicht an dem Gerät herum spielen. Unbeaufsichtigte Kinder dürfen das Gerät nicht reinigen oder warten.
- Alle anderen Wartungsarbeiten müssen durch einen Fachmann durchgeführt werden.
- Beim Bohren durch die Wand darauf achten, keine elektrischen Verbindungen und/oder Leitungen zu beschädigen.
- Luftauslässe müssen stets nach außen geführt werden.
- Der Hersteller übernimmt keine Verantwortung für Schäden aufgrund von unsachgemäßer Verwendung oder falscher Einstellungen.
- Konstante und sachgemäße Pflege und Reinigung gewährleisten den einwandfreien Betrieb und die Leistungstüchtigkeit Ihrer Abzugshaube. Säubern Sie regelmäßig alle verschmutzten Flächen Ihrer Abzugshaube, um zu verhindern, dass sich eine Fettschicht darauf bildet. Sie sollten den Filter regelmäßig entfernen und reinigen oder ersetzen. Dies muss gemäß den gegebenen „Reinigungs- und Wartungsanweisungen“ erfolgen.

- Bereiten Sie keine flambierten Gerichte unter der Abzugshaube zu. Bei offenen Flammen besteht Brandgefahr.
 - Das Nichtbeachten der Reinigungsvorschriften für die Dunstabzugshaube sowie für das Auswechseln und Reinigen der Filter führt zu Brandgefahr.
 - Die angesaugte Luft darf nicht in ein Abluftrohr geleitet werden, in das die Abluft von mit Gas oder anderen Brennstoffen betriebenen Geräten abgeleitet wird, sondern muss einen separaten Abzug haben. Dabei sind alle nationalen Vorschriften zur Abluftableitung einzuhalten.
 - Wird die Dunstabzugshaube zusammen mit anderen Geräten betrieben, die mit Gas oder anderen Brennstoffen angetrieben werden, darf der negative Druck im Raum einen Wert von 4Pa (4×10^{-5} bar) nicht überschreiten. Daher muss für eine ausreichende Belüftung des Raums gesorgt werden. Im Zweifelsfall wenden Sie sich bitte an einen autorisierten Kundendienst oder eine qualifizierte Fachkraft.
 - Lassen Sie beim Frittieren keine Pfannen unbeaufsichtigt, da das erhitzte Fett Feuer fangen könnte.
 - Stellen Sie vor dem Anfassen der Lampen sicher, dass diese abgekühlt sind.
 - Benutzen Sie die Haube nicht ohne die korrekt montierte Halogenlampe, da sonst Stromschlaggefahr besteht.
 - Die Abzugshaube ist keine Arbeitsplatte, stellen Sie daher keine Gegenstände darauf ab und belasten Sie sie nicht.
 - Tragen Sie bei allen Installations- und Wartungsarbeiten stets Schutzhandschuhe.
 - Dieses Gerät eignet sich nicht für den Gebrauch im Freien.
-  **ACHTUNG:** Während des Betriebs des Kochfelds können die erreichbaren Teile der Dunstabzugshaube heiß werden.
- Aufstellung und Anschluss**
Wenden Sie sich im Falle von Problemen an einen autorisierten Kundendienst. Um eventuellen Schäden vorzubeugen, sollten Sie das Gerät erst unmittelbar vor der Installation von der Verpackungsunterlage nehmen.
- Vorbereitung des Einbaus**
 **WARNUNG:** Zum Transport und zur Installation der Haube sind zwei oder mehrere Personen erforderlich.
Der Mindestabstand zwischen dem Kochfeld und dem unteren Teil der Abzugshaube darf bei Gas-Kochfeldern oder mit anderem Brennstoff betriebenen Kochfeldern

nicht unter 65 cm, und bei Elektro-Kochfeldern nicht unter 50 cm liegen.

Überprüfen Sie vor der Installation auch die im Handbuch des Kochfeldes angegebenen Mindestabstände.

Schreiben die Installationsanweisungen des Kochfelds einen größeren Abstand vor, ist dieser natürlich zu beachten.

Anschluss an das Stromnetz

Die Spannung auf dem Typenschild des Gerätes muss der Spannung des Stromnetzes entsprechen. Diese Information finden Sie im Inneren der Abzugshaube unter dem Fettfilter.

Das Netzkabel (Typ H05 VV-F) darf nur durch Fachpersonal ersetzt werden. Wenden Sie sich an eine autorisierte Kundendienststelle.

Der Stecker der Dunstabzugshaube (falls vorhanden) muss an eine normgerechte und gut zugängliche Steckdose angeschlossen werden.

⚠️ WARNUNG: Sollte das Gerät nicht mit Stecker versehen, sondern direkt mit dem Stromnetz verbunden und die Steckdose unzugänglich sein, müssen Sie einen normgerechten zweipoligen Schalter verwenden, der eine totale Isolierung vom Stromnetz im Falle von gemäß Klasse 3 auftretenden Überspannungen gewährleistet und normgerecht verdrahtet ist.

Gebrauch

Die Dunstabzugshaube wurde so konzipiert, dass sie entweder als "Absauganlage" oder als "Umluftanlage" installiert und verwendet werden kann.

Modell mit Absauganlage (siehe das Symbol in der Installationsanweisung)

Die Schwaden werden angesaugt und über das am Dampfauslass der Abzugshaube befestigte Abluftrohr (nicht mitgeliefert) nach außen befördert.

Stellen Sie sicher, dass das Abluftrohr korrekt mit dem Luftauslass verbunden ist, indem Sie für eine geeignete Verbindung sorgen.

Wichtig: Entfernen Sie die eventuell bereits installierten Kohlefilter.

Modell mit Umluftanlage (siehe das Symbol in der Installationsanweisung)

Die Luft wird durch einen oder mehrere Kohlefilter angesaugt und gefiltert und danach wieder in den Raum entlassen.

Wichtig: Sorgen Sie für ausreichende Frischluftzufuhr zur Abzugshaube.

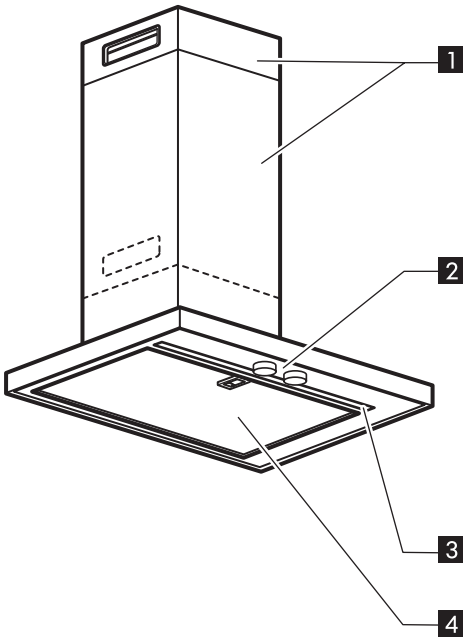
Wichtig: Hat die Abzugshaube keine Kohlefilter, sind diese vor dem Gebrauch zu montieren. Filter sind in IKEA Einrichtungshäusern erhältlich.

Die Abzugshaube ist fern von stark verschmutzten Bereichen, Fenstern, Türen und Wärmequellen zu installieren.

Das Zubehör zur Befestigung an der Wand wird nicht mitgeliefert, da Wände aus unterschiedlichen Materialien verschiedene Typen von Befestigungselementen erfordern. Bitte Befestigungselemente verwenden, die für die Wandbeschaffenheit und das Gerätegewicht ausgelegt sind. Für weitere Informationen wenden Sie sich bitte an einen Fachhändler.

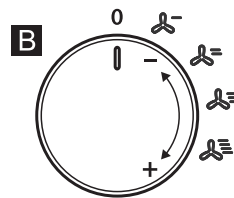
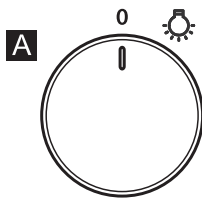
Heben Sie diese Anleitung zum späteren Nachschlagen gut auf.

Produktbeschreibung



- 1** Kamin.
- 2** Bedienfeld.
- 3** Halogenbeleuchtung.
- 4** Fettfilter.

Bedienfeld



A Licht AN/AUS Knopf

B Gebläsestufe (Absaugleistung) Wahlknopf

0 AUS

Niedrige Gebläsestufe (Absaugleistung)

Mittlere Gebläsestufe (Absaugleistung)

Hohe Gebläsestufe (Absaugleistung)

Maximale Gebläsestufe (Absaugleistung)

Reinigung und Pflege

⚠️ ACHTUNG:

- Verwenden Sie keine Wasserdampfreinigungsgeräte.
- Trennen Sie die Dunstabzugshaube von der Stromversorgung.

WICHTIG: Verwenden Sie keine aggressiven Reinigungs- oder Scheuermittel. Falls ein solches Mittel doch mit dem Gerät in Kontakt kommt, reinigen Sie es sofort mit einem feuchten Tuch.

- Reinigen Sie die Flächen mit einem feuchten Tuch. Entfernen Sie starke Verschmutzungen mit Wasser und ein paar Tropfen Geschirrspülmittel. Reiben Sie mit einem trockenen Tuch nach.

WICHTIG: Vermeiden Sie den Gebrauch von Scheuerschwämmen, Topfkratzern und Metallschabern. Diese können die Oberflächen mit der Zeit beschädigen.

- Verwenden Sie zur Reinigung spezielle Reinigungsmittel und beachten Sie die Herstelleranweisungen.

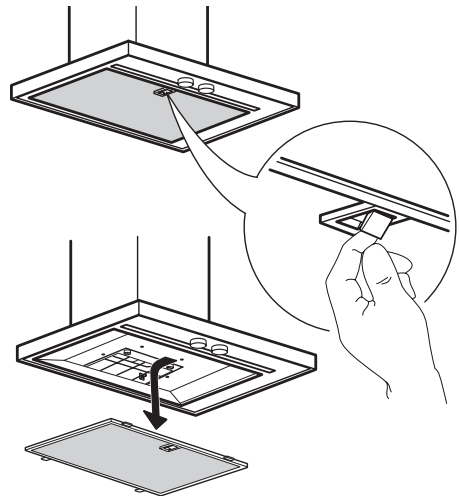
WICHTIG: Reinigen Sie die Fettfilter mindestens einmal monatlich und entfernen Sie alle Öl- und Fettrückstände.

Reinigung des Fettfilters

Der Metall-Fettfilter hat eine unbegrenzte Lebensdauer und ist ein Mal im Monat mit der Hand oder im Geschirrspüler bei Niedrigtemperatur und im Schnellspülgang zu reinigen. Bei der Reinigung des Fettfilters im Geschirrspüler wird sein Aussehen stumpf, doch dies beeinträchtigt die Filterleistung nicht.

Wartung des Fettfilters

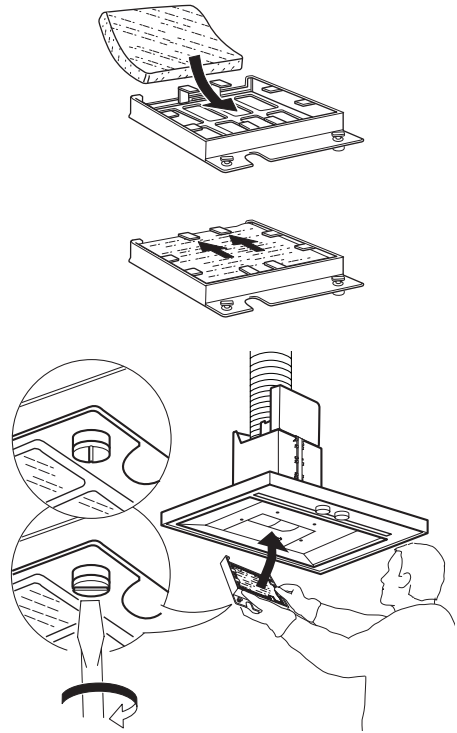
1. Trennen Sie die Abzugshaube vom Stromnetz.
2. Bauen Sie die Fettfilter aus: ziehen Sie dazu den Federgriff nach unten und nehmen Sie dann den Filter nach unten heraus.
3. Nach der Reinigung des Fettfilters für die Montage alle Schritte in umgekehrter Reihenfolge ausführen und sicherstellen, dass der Filter die gesamte Absaugfläche abdeckt.



Wartung des Aktivkohlefilters (falls die Abzugshaube im Umluftbetrieb installiert ist)

1. Ziehen Sie den Stecker des Gerätes aus der Steckdose oder unterbrechen Sie die Stromversorgung.
2. Entfernen Sie die Fettfilter wie zuvor im Kapitel Fettfilter angegeben.
3. Nehmen Sie die Halterung des Aktivkohlefilters ab.
4. Nehmen Sie den Aktivkohlefilter heraus und setzen Sie ihn nach der Auswechslung wieder ein.
5. Haken Sie den Kohlefilter zuerst mit der Metalllasche hinten an der Dunstabzugshaube ein.
6. Fixieren Sie ihn dann vorn mit den zwei Drehknöpfen.
7. Bauen Sie den Fettfilter wieder ein. Kohlefiltern kann dieser Kohlefilter gereinigt und reaktiviert werden.

Bei normalem Einsatz der Dunstabzugshaube sollten Sie den Filter einmal im Monat reinigen. Sie reinigen den Filter am besten bei höchster Temperatur mit einem normalen Geschirrspülmittel in der Geschirrspülmaschine. Sie sollten den Filter separat waschen, damit sich während des Spülvorgangs keine Speise- oder Schmutzreste absetzen, die später unangenehme Gerüche verursachen können. Nach der Reinigung ist der Filter zur Reaktivierung 10 Minuten lang bei 100°C im Backofen zu trocknen. Die Geruchsabsorption des Filters ist drei Jahre lang wirksam, danach ist der Filter zu ersetzen.



Wartung der Lampe

Die Abzugshaube ist mit einem LED-Beleuchtungssystem ausgestattet. Die LEDs sorgen für optimale Ausleuchtung, sie besitzen eine bis zu 10-fache Lebensdauer im Vergleich zu herkömmlichen Lampen und bieten eine Stromersparnis von 90 %.

Für einen Austausch kontaktieren Sie bitte den autorisierten Kundendienst.

Was tun, wenn...

Störung	Mögliche Ursache	Abhilfe
Das Gerät funktioniert nicht	Kein Strom	Überprüfen Sie das Hausstromnetz. Schalten Sie das Gerät aus und wieder ein, um festzustellen, ob die Störung erneut auftritt.
	Das Gerät ist nicht ans Stromnetz angeschlossen	Prüfen Sie, ob das Gerät ans Stromnetz angeschlossen ist. Schalten Sie das Gerät aus und wieder ein, um festzustellen, ob die Störung erneut auftritt.
Schwache Absaugleistung	Niedrige Absauggeschwindigkeit	Kontrollieren Sie die Absauggeschwindigkeit und stellen Sie sie ggf. ein.
	Die Fettfilter sind verschmutzt 4	Prüfen Sie, ob die Filter sauber sind Waschen Sie verschmutzte Filter im Geschirrspüler.
	Die geruchsneutralisierenden Filter sind verschmutzt	Prüfen, dass die geruchsneutralisierenden Filter richtig und wie empfohlen gewaschen sind
	Die Abluftöffnungen sind verstopft	Beseitigen Sie eventuelle Verstopfungen in den Abluftöffnungen.
Die Lampe funktioniert nicht	Die LED ist gebrochen 3	Für einen Austausch kontaktieren Sie bitte den autorisierten Kundendienst.

Bevor Sie den autorisierten Kundendienst kontaktieren:

Schalten Sie das Gerät nochmals ein, um zu prüfen, ob die Störung immer noch vorliegt. Haben Sie keinen Erfolg, so schalten Sie das Gerät aus und wiederholen Sie den Versuch nach einer Stunde.

Arbeitet Ihr Gerät trotz der vorgenannter Kontrollen und nach dem Neueinschalten des Gerätes weiterhin nicht korrekt, setzen Sie sich bitte mit dem autorisierten Kundendienst in Verbindung, erklären Sie die Art der Störung und geben Sie Folgendes an:

- Art der Störung;
- Gerätemodell;
- Bauart und Seriennummer des Gerätes (siehe Typenschild);
- die Servicenummer (Ziffer hinter dem Wort „SERVICE“ auf dem Typenschild im Geräteinneren).

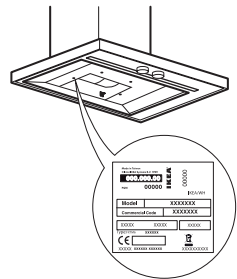
SERVICE 0000 000 00000



Technische Daten


Produkttyp	Wand-montierte Abzugshaube	
Abmessungen	Breite	mm 598
	Tiefe	mm 458
	Höhe min.	mm 633
	Höhe max.	mm 1088
Gesamtleistungsaufnahme		W 217
Lampen, Information	Typ	LED
	Anzahl und Leistungsaufnahme	W 1x7W
	Fassung	strip led
Mindestabstände bei der Installation -Gaskochfeld		cm 65
Mindestabstände bei der Installation -Elektrokochofeld		cm 50
Produktgewicht		kg 12,9
Produktinfo gemäß (EU) Norm der Kommission Nr. 65/2014		
Modell-Identifikation		MATÅLSKARE 90368800 MATÅLSKARE 60368806 MATÅLSKARE 10368804 MATÅLSKARE 30368803 MATÅLSKARE 40368807 MATÅLSKARE 10388977 MATÅLSKARE 70392325 MATÅLSKARE 00392197 MATÅLSKARE 60392137 MATÅLSKARE 20393964
Jahresenergieverbrauch	kWh/a	40,6
Zeiterhöhungsfaktor		0,9
Wirkungsgrad/Flüssigkeitsdynamik	%	29,3
Energieeffizienzindex		51,7
Gemessene Luftstromrate bei bestem Wirkungsgradpunkt	m³/h	278,0
Gemessener Luftdruck bei bestem Wirkungsgradpunkt	Pa	410,0
Maximaler Luftstrom	m³/h	510
Gemessener Eingang/elektrische Leistungsaufnahme bei bestem Wirkungsgradpunkt	W	108,0
Nennleistung des Beleuchtungssystems	W	7
Durchschnittliche Beleuchtung des Beleuchtungssystems an der Kochfeldoberfläche	lux	203,0
Stromverbrauch im Standby-Modus	W	NA
Stromverbrauch im Aus-Modus	W	NA
A-Bewertung der Geräuschemission bei Höchstgeschwindigkeit	dB(A)	65

Die technischen Daten können dem Typenschild seitlich im Gerät entnommen werden.




Hinweise zum Umweltschutz

Entsorgung der Verpackung

Das Verpackungsmaterial ist zu 100% wieder verwertbar und trägt das Recycling-Symbol . Werfen Sie das Verpackungsmaterial deshalb nicht einfach fort, sondern entsorgen Sie es auf die von den verantwortlichen Stellen festgelegte Weise.

Entsorgung von Altgeräten

- Dieses Gerät ist gemäß der Europäischen Richtlinie 2012/19/EC für Elektro- und Elektronik-Altgeräte gekennzeichnet.
- Durch eine angemessene Entsorgung des Geräts trägt der Nutzer dazu bei, potentiell schädliche Auswirkungen für Umwelt und Gesundheit zu vermeiden, die durch eine nachlässige Beseitigung dieses Produkts verursacht würden.

Das Symbol  auf dem Gerät bzw. auf dem beiliegenden Informationsmaterial weist darauf hin, dass dieses Gerät kein normaler Haushaltsabfall ist, sondern in einer Sammelstelle für Elektro- und Elektronik-Altgeräte entsorgt werden muss.

Entsorgung von Altgeräten

- Dieses Gerät wurde aus recycelbaren oder wiederverwendbaren Werkstoffen hergestellt. Beachten Sie bei der Entsorgung die örtlichen Verordnungen zur Abfallbeseitigung. Schneiden Sie das Netzkabel durch, bevor Sie das Gerät verschrotten.
- Genauere Informationen zu Behandlung, Entsorgung und Recycling von elektrischen Haushaltsgeräten erhalten Sie bei Ihrer örtlichen Verwaltungsstelle, der Müllabfuhr oder dem Händler, bei dem Sie das Gerät gekauft haben.

Energiespartipps

- Schalten Sie die Dunstabzugshaube auf niedrigster Stufe ein, wenn Sie zu kochen beginnen, und lassen Sie sie nach dem Ende des Kochvorgangs noch einige Minuten laufen.

- Stellen Sie nur bei starker Rauch- oder Dampfentwicklung eine höhere Stufe ein und verwenden Sie die Booster-Funktion(en) nur in Extremsituationen.
- Tauschen Sie den/die Aktivkohlefilter bei Bedarf aus, damit das Gerät unangenehmen Gerüchen effektiv entgegenwirken kann.
- Tauschen Sie den/die Fettfilter bei Bedarf aus, damit das Gerät Fettablagerungen effektiv entgegenwirken kann.
- Eine optimale Wirkung bei minimaler Geräuschentwicklung erzielen Sie mit Abluftkanälen, die den in diesem Handbuch angegebenen Höchstdurchmesser aufweisen.

Konformitätserklärung

Dieses Gerät wurde gemäß folgender Richtlinien entworfen, hergestellt und in den Handel eingeführt:

- Sicherheitsanforderungen der "Niederspannungsrichtlinie" 2014/35/EU.
- Ökodesign-Verordnungen (EU) Nr. 65/2014 und 66/2014 gemäß der EU-Norm EN 61591.
- Schutzvorschriften der EMV-Richtlinie 2014/30/EU.

Die elektrische Sicherheit des Gerätes ist nur dann gewährleistet, wenn es korrekt an eine funktionstüchtige und den gesetzlichen Bestimmungen entsprechende Erdung angeschlossen ist.

Ihre Pflichten als Endnutzer



Dieses Elektro- bzw. Elektronikgerät ist mit einer durchgestrichenen Abfalltonne auf Rädern gekennzeichnet. Das

Gerät darf deshalb nur getrennt vom unsortierten Siedlungsabfall gesammelt und zurückgenommen werden, es darf also nicht in den Hausmüll gegeben werden. Das Gerät kann z. B. bei einer kommunalen Sammelstelle oder ggf. bei einem Vertreiber (siehe zu deren Rücknahmepflichten in Deutschland unten) abgegeben werden. Das gilt auch für alle Bauteile, Unterbaugruppen und Verbrauchsmaterialien des zu entsorgenden Altgeräts.

Bevor das Altgerät entsorgt werden darf, müssen alle Altbatterien und Altakkumulatoren vom Altgerät getrennt werden, die nicht vom Altgerät umschlossen sind. Das gleiche gilt für Lampen, die zerstörungsfrei aus dem Altgerät entnommen werden können. Der Endnutzer ist zudem selbst dafür verantwortlich, personenbezogene Daten auf dem Altgerät zu löschen.

Hinweise zum Recycling



Helfen Sie mit, alle Materialien zu recyceln, die mit diesem Symbol gekennzeichnet sind.

Entsorgen Sie solche Materialien, insbesondere Verpackungen, nicht im Hausmüll sondern über die bereitgestellten Recyclingbehälter oder die entsprechenden örtlichen Sammelsysteme.

Recyceln Sie zum Umwelt- und Gesundheitsschutz elektrische und elektronische Geräte.

Rücknahmepflichten der Verreiber

Wer auf mindestens 400 m² Verkaufsfläche Elektro- und Elektronikgeräte vertreibt oder sonst geschäftlich an Endnutzer abgibt, ist verpflichtet, bei Abgabe eines neuen Geräts ein Altgerät des Endnutzers der gleichen Geräteart, das im Wesentlichen die gleichen Funktionen wie das neue Gerät erfüllt, am Ort der Abgabe oder in unmittelbarer Nähe hierzu unentgeltlich zurückzunehmen. Das gilt

auch für Verreiber von Lebensmitteln mit einer Gesamtverkaufsfläche von mindestens 800 m², die mehrmals im Kalenderjahr oder dauerhaft Elektro- und Elektronikgeräte anbieten und auf dem Markt bereitstellen. Solche Verreiber müssen zudem auf Verlangen des Endnutzers Altgeräte, die in keiner äußeren Abmessung größer als 25 cm sind (kleine Elektrogeräte), im Einzelhandelsgeschäft oder in unmittelbarer Nähe hierzu unentgeltlich zurückzunehmen; die Rücknahme darf in diesem Fall nicht an den Kauf eines Elektro- oder Elektronikgerätes geknüpft, kann aber auf drei Altgeräte pro Geräteart beschränkt werden.

Ort der Abgabe ist auch der private Haushalt, wenn das neue Elektro- oder Elektronikgerät dorthin geliefert wird; in diesem Fall ist die Abholung des Altgerätes für den Endnutzer kostenlos.

Die vorstehenden Pflichten gelten auch für den Vertrieb unter Verwendung von Fernkommunikationsmitteln, wenn die Verreiber Lager- und Versandflächen für Elektro- und Elektronikgeräte bzw. Gesamtlager- und -versandflächen für Lebensmittel vorhalten, die den oben genannten Verkaufsflächen entsprechen. Die unentgeltliche Abholung von Elektro- und Elektronikgeräten ist dann aber auf Wärmeüberträger (z. B. Kühlschrank), Bildschirme, Monitore und Geräte, die Bildschirme mit einer Oberfläche von mehr als 100 cm² enthalten, und Geräte beschränkt, bei denen mindestens eine der äußeren Abmessungen mehr als 50 cm beträgt. Für alle übrigen Elektro- und Elektronikgeräte muss der Verreiber geeignete Rückgabemöglichkeiten in zumutbarer Entfernung zum jeweiligen Endnutzer gewährleisten; das gilt auch für kleine Elektrogeräte (s.o.), die der Endnutzer zurückgeben will, ohne ein neues Gerät zu kaufen.

IKEA GARANTIE

Wie lange ist die IKEA Garantie gültig?

Die Garantie gilt 5 (fünf) Jahre ab dem Kauf-/ Auslieferungsdatum für die bei IKEA gekauften Geräte, es sei denn. Als Kaufnachweis ist das Original des Einkaufsbeleges erforderlich. Werden im Rahmen der Garantie Arbeiten ausgeführt, verlängert sich dadurch nicht die Garantiezeit für das Gerät.

Welche Geräte sind nicht durch die IKEA Fünfjahresgarantie abgedeckt?

Die 5-jährige (fünf) Garantie gilt für alle nach dem 1. August 2007 gekauften IKEA Geräte. Hiervon ausgenommen sind die IKEA Geräte der Marke LAGAN.

Wer übernimmt den Service?

IKEA führt die Serviceleistungen über seinen eigenen Kundendienst oder einen beauftragten Servicepartner aus.

Was deckt diese Garantie ab?

Die Garantie deckt Gerätefehler ab, die aufgrund einer fehlerhaften Konstruktion oder aufgrund von Materialfehlern nach dem Datum des Einkaufs bei IKEA entstanden sind. Die Garantie gilt nur für den Hausgebrauch des betreffenden Gerätes. Ausnahmen sind unter der Überschrift "Was deckt die Garantie nicht ab?" erläutert. Innerhalb der Garantiefrist werden die Kosten für Reparatur, Ersatzteile sowie die Arbeits- und Fahrtkosten übernommen, vorausgesetzt, das Gerät ist ohne besonderen Aufwand für eine Reparatur zugänglich. Die EU-Richtlinien (Nr. 99/44/EG) und die jeweiligen örtlichen Bestimmungen gelten unter diesen Bedingungen. Ersetzte Teile gehen in das Eigentum von IKEA über.

Was wird von IKEA unternommen, um das Problem zu beheben?

Der Kundendienst begutachtet das Produkt und entscheidet nach eigenem Ermessen, ob ein Garantieanspruch besteht. Wenn die Garantie geltend gemacht werden kann, wird IKEA durch seinen eigenen Kundendienst oder einen autorisierten Servicepartner nach eigenem Ermessen das schadhafte Produkt

entweder reparieren oder durch ein gleiches oder vergleichbares Produkt ersetzen.

Was deckt diese Garantie nicht ab?

- Normale Abnutzungen und Beschädigungen.
- Vorsätzlich oder fahrlässig herbeigeführte Schäden, Beschädigungen infolge Missachtung der Bedienungsanleitung, unsachgemässer Installation, falschen Spannungsanschlusses, Beschädigung durch chemische oder elektrochemische Reaktionen, Korrosions- oder Wasserschäden, einschliesslich Schäden durch ungewöhnlich hohen Kalkgehalt im Wasser oder anormale Umweltbedingungen.
- Verbrauchs- und Verschleissteile wie z.B. Batterien und Glühlampen.
- Nichtfunktionelle und dekorative Teile, die den normalen Gebrauch nicht beeinflussen, sowie Kratzer oder mögliche Farbveränderungen.
- Schäden verursacht durch Fremdkörper, Substanzen oder Reinigungsarbeiten/ Beseitigung von Verstopfungen an Filtern, Abflüssen oder Spülmittelfächern.
- Schäden an folgenden Teilen: Glaskeramik, Zubehör, Geschirr- und Besteckkörbe, Zu- und Ablaufschläuche, Dichtungen, Glühlampen und deren Abdeckungen, Siebe, Knöpfe, Gehäuse und Gehäuseteile. Soweit nicht nachgewiesen wird, dass solche Schäden auf Herstellungsmängel zurückzuführen sind.
- Bei Fällen, in welchen der Servicetechniker keinen Fehler finden konnte.
- Reparaturen, die nicht von unserem eigenen Kundendienst oder einem Servicevertragspartner ausgeführt oder bei denen keine Originalteile verwendet wurden.
- Durch fehlerhafte oder unvorschriftsmässige Installation erforderliche Reparaturen.
- Fehlbedienung und/oder Verwendung des Gerätes in einer nicht privaten sondern

gewerblichen Umgebung.

- Transportschäden. Wenn der Kunde das Produkt selbst nach Hause oder zu einer anderen Adresse transportiert, ist IKEA von der Haftung für Transportschäden jeder Art freigestellt. Liefert IKEA das Produkt direkt an die Kundenadresse, werden eventuelle Transportschäden durch IKEA gedeckt.
- Kosten für die Installation des IKEA Gerätes. Wenn jedoch der IKEA Kundendienst oder ein Servicevertragspartner im Rahmen der Garantie Reparaturen ausführt oder das Gerät ersetzt, installiert der Kundendienst oder der Servicevertragspartner das ausgebesserte Gerät oder das Ersatzgerät, falls dies erforderlich sein sollte.

Als Ausnahme gilt die fehlerfreie Installation durch qualifizierte Fachleute unter Verwendung von Originalteilen, um das Gerät den technischen Sicherheitsvorschriften eines anderen EU-Landes anzupassen.

Gültigkeit der länderspezifischen Bestimmungen

IKEA räumt Ihnen eine spezielle Garantie ein, die die gesetzlichen Gewährleistungsrechte, die von Land zu Land unterschiedlich sein können, mindestens abdeckt, evt. erweitert. Allerdings schränken diese Bedingungen in keiner Weise die landesweit geltenden Verbraucherrechte ein.

Gültigkeitsbereich

Für Geräte, die in einem EU-Land gekauft und in ein anderes Land mitgenommen werden, wird der Kundendienst gemäss den Garantierichtlinien im neuen Land übernommen. Eine Verpflichtung zur Durchführung von Leistungen im Rahmen der Garantie besteht nur dann, wenn das Gerät gemäß der Montageanleitung und gemäß der Sicherheitshinweise im Benutzerhandbuch aufgestellt und installiert wurde gemäß:

- den technischen Spezifikationen des Landes, in dem der Garantieanspruch erfolgt;
- den Montageanweisungen und Informationen im Benutzerhandbuch.

Der autorisierte Kundendienst für IKEA Geräte

Der autorisierte Kundendienst für IKEA Geräte steht Ihnen für Fragen oder Probleme wie folgt zur Verfügung:

- Wenn Sie einen Kundendienst im Rahmen der Garantie benötigen
- Bei Fragen zur Installation Ihres IKEA-Gerätes in den IKEA-Möbelkörper (Hinweis: Die Gasinstallation wird von einem autorisierten Gasfachmann durchgeführt).
- Wenn Sie Fragen zu den Funktionen Ihres IKEA-Gerätes haben.

Um Ihnen möglichst schnell und kompetent weiterhelfen zu können, bitten wir Sie, vorher die Montage und Gebrauchsanweisung Ihres Gerätes genauestens durchzulesen.

So erreichen Sie unseren Service



Gehen Sie dazu auf die letzte Seite dieser Broschüre. Dort finden Sie eine Übersicht mit den entsprechenden Telefonnummern und Kontaktdaten unserer autorisierten Kundendienste.

- i** **Damit wir Ihnen im Falle einer Störung jederzeit schnell und kompetent helfen können, bitten wir Sie, sich an die in diesem Handbuch angegebene Service-Rufnummer zu wenden. Halten Sie dazu bitte die (8-stellige) IKEA Artikelnummer und die 12-stellige Servicenummer (auf dem Geräte-Typschild vermerkt) Ihres IKEA Gerätes bereit.**

- i** **KAUF-/AUSLIEFERUNGSBELEG AUF!** Unser Service kann einen Garantieanspruch nur unter Vorlage dieses Beleges akzeptieren. Auf dem Beleg sind auch die Bezeichnung und (8-stellige) IKEA Artikelnummer des von Ihnen erworbenen Geräts vermerkt.

Benötigen Sie weiteren Rat und Unterstützung?

Bei allen anderen, nicht kundendienstspezifischen Fragen bitten wir Sie, sich an den Kundenservice im nächstgelegenen IKEA-Einrichtungshaus zu wenden. Wir empfehlen Ihnen, vorher die dem Gerät beigelegten Unterlagen genauestens durchzulesen.

Index

Informations relatives à la sécurité	29	Ce qu'il convient de faire si...	36
Utilisation	32	Données techniques	37
Description de l'appareil	33	Protection de l'environnement	38
Bandeau de commandes	33	GARANTIE IKEA (FRANCE)	39
Nettoyage et entretien	34	GARANTIE IKEA (BELGIQUE)	43

Informations relatives à la sécurité


Avant la première utilisation

Accordez toujours la priorité à la sécurité.


Retirez les protections en carton, les films transparents et les étiquettes autocollantes présentes sur les accessoires.

Vérifiez que l'appareil n'a pas été endommagé pendant le transport. Pour éviter tout endommagement, ne placez aucun poids sur l'appareil. Évitez d'exposer l'appareil aux agents atmosphériques.

D'importants messages relatifs à la sécurité figurent dans le présent manuel et sur l'appareil. Nous vous invitons à les lire attentivement et à les observer en toute circonstance.

 Ceci est le symbole de précaution sécuritaire. Il met en garde l'utilisateur et toute autre personne contre les risques potentiels dérivant de l'utilisation de cet appareil.

Tous les avertissements concernant la sécurité sont précédés par le symbole de précaution et les termes suivants :


 **DANGER** : Indique une situation dangereuse qui, si elle n'est pas évitée, provoque des blessures graves.

 **AVERTISSEMENT** : Indique une situation dangereuse qui, si elle n'est pas évitée, est susceptible de provoquer des blessures graves. Les avertissements concernant la sécurité incluent tous des informations détaillées sur les dangers/risques potentiels présents, et indiquent comment réduire le risque de blessures, de dommages et de choc électrique résultant d'une utilisation incorrecte de l'appareil. Observez scrupuleusement les instructions suivantes.

Précautions et recommandations générales

- L'installation et le raccordement électriques doivent être réalisés par un technicien qualifié, conformément aux instructions du fabricant et aux normes locales en vigueur en matière de sécurité. Ne procédez à aucune réparation ni aucun remplacement de pièce sur l'appareil autres que ceux spécifiquement indiqués dans le manuel d'utilisation.
- Débranchez l'appareil de l'alimentation secteur avant de procéder à l'installation.

⚠ AVERTISSEMENT : L'installation des vis ou du dispositif de fixation sans respecter les présentes instructions peut provoquer des dangers électriques.

- La mise à la terre de l'appareil est obligatoire. (Pas nécessaire pour les hottes de Classe II identifiées par le symbole  sur la plaque signalétique).
- Ne tirez jamais sur le cordon d'alimentation pour débrancher l'appareil de la prise secteur.
- Une fois l'installation terminée, l'utilisateur ne doit plus pouvoir accéder aux composants électriques.
- Évitez de toucher l'appareil avec les mains mouillées, et ne l'utilisez pas les pieds nus.
- Les enfants âgés de 8 ans et plus, ainsi que les personnes présentant des capacités physiques, sensorielles ou mentales réduites, ou ne possédant ni l'expérience ni les connaissances requises, peuvent utiliser cet appareil sous la surveillance ou les instructions d'une personne responsable leur ayant expliqué l'utilisation de l'appareil en toute sécurité, ainsi que les dangers potentiels. Ne laissez pas les enfants jouer avec l'appareil. Le nettoyage et l'entretien ne doivent pas être exécutés par des enfants sans surveillance.
- Toutes les autres opérations


d'entretien sont du ressort exclusif d'un technicien spécialisé.

- Lorsque vous devez effectuer des perçages dans le mur, prenez garde d'endommager les raccordements électriques et/ou la tuyauterie.
- Les orifices de ventilation doivent toujours refouler l'air à l'extérieur.
- Le fabricant décline toute responsabilité relative à des dommages résultant d'une utilisation ou d'une configuration incorrecte de l'appareil.
- Un entretien et un nettoyage appropriés permettent de maintenir l'appareil en bon état de marche et d'obtenir des performances optimales. Nettoyez régulièrement les saletés superficielles tenaces pour éviter toute accumulation de graisse. Retirez et nettoyez ou remplacez régulièrement le filtre. Cela doit être effectué conformément aux instructions d'entretien fournies dans le présent manuel.
- Ne flambez jamais des aliments sous l'appareil. Des flammes nues risqueraient de provoquer un incendie.
- Un non-respect des instructions de nettoyage de la hotte et de remplacement des filtres peut être à l'origine d'un incendie.
- L'air évacué ne doit pas être

acheminé via un conduit servant à l'évacuation des fumées d'appareils à gaz ou autres combustibles, mais doit être dirigé vers une sortie indépendante. Respectez toutes les réglementations nationales relatives à l'évacuation des fumées.

- La ventilation doit être adéquate si la hotte est destinée à être utilisée en même temps que des appareils fonctionnant au gaz ou avec d'autres combustibles. La pression négative dans la pièce ne doit pas dépasser 4 Pa (4x 10⁻⁵ bar). Veuillez par conséquent à ce que la pièce soit correctement ventilée. En cas de doutes, veuillez consulter un centre d'assistance autorisé ou une personne qualifiée.
- Ne laissez pas de poêles à frire sans surveillance lors de la cuisson, car l'huile de friture peut s'enflammer.
- Avant de toucher les ampoules, assurez-vous qu'elles sont froides.
- N'utilisez pas et ne laissez pas la hotte avec des ampoules incorrectement installées (ou manquantes), car cela serait susceptible de provoquer des commotions électriques.
- La hotte n'est pas une surface de travail. Ne placez par conséquent pas d'objets dessus ou ne la surchargez pas.


- Pendant toutes les opérations d'installation et d'entretien, portez des gants de travail appropriés.
- Cet appareil n'est pas conçu pour une utilisation en extérieur.

 **AVERTISSEMENT** : Lorsque la table de cuisson est en cours d'utilisation, les parties accessibles de la hotte peuvent devenir très chaudes.

Installation et raccordement

En cas de problèmes, veuillez contacter un centre d'assistance autorisé. Pour éviter d'endommager l'appareil, il est recommandé de le retirer de l'emballage uniquement au moment de l'installation.

Préparation en vue de l'installation

 **AVERTISSEMENT** : Au moins deux personnes sont nécessaires pour soulever et installer la hotte.

La distance minimum entre la table de cuisson et la partie inférieure de la hotte ne doit pas être inférieure à 65 cm pour les cuisinières à gaz ou autres combustibles, et à 50 cm pour les cuisinières électriques.

Avant de procéder à l'installation, vérifiez également les distances minimum spécifiées dans le manuel de la cuisinière.

Si les instructions d'installation de la cuisinière spécifient une distance supérieure entre la cuisinière et la hotte, cette distance doit être observée.

Raccordement électrique

Vérifiez que la tension électrique spécifiée sur la plaque signalétique de l'appareil correspond à la tension de secteur.

Cette information figure sur la partie intérieure de la hotte, sous le filtre à graisses.

Le remplacement du câble électrique (type H05 VV-F) doit être effectué par un électricien qualifié.

Contactez un centre d'entretien agréé.

Si la hotte est équipée d'une fiche électrique, branchez cette fiche sur une prise conforme aux réglementations en vigueur et située à un emplacement accessible.

⚠ AVERTISSEMENT : En l'absence de fiche (câblage direct sur le réseau électrique) ou si la prise n'est pas située à un emplacement accessible, demandez à un technicien qualifié d'installer un interrupteur bipolaire normalisé permettant une coupure complète du réseau électrique en cas de surtension de catégorie III, conformément aux réglementations sur le câblage.

Utilisation

La hotte a été conçue pour être installée et utilisée soit sous la forme d'une « Installation par extraction » ou sous la forme d'une « Installation par recirculation ».

Installation par extraction (voir le symbole dans le livret d'installation)

La vapeur de cuisson est aspirée et évacuée à l'extérieur de l'habitation via une conduite d'évacuation (non fournie), installée sur la sortie de vapeur de la hotte.

Assurez-vous que la conduite d'évacuation est correctement installée sur la sortie d'air à l'aide du système de raccordement approprié.

Remarque importante : Si les filtres au charbon sont déjà installés, retirez-les

Installation par recirculation (voir le symbole dans le livret d'installation)

L'air est filtré via un ou plusieurs filtres à charbon, puis est rejeté dans la pièce.



Remarque importante : Assurez une circulation appropriée de l'air autour de la hotte.

Remarque importante : Si la hotte est fournie sans filtres au charbon, vous devez les commander et les installer avant d'utiliser la hotte. Les filtres sont disponibles dans les magasins IKEA.

La hotte doit être installée à l'écart de zones particulièrement sales, de fenêtres, de portes et de sources de chaleur.

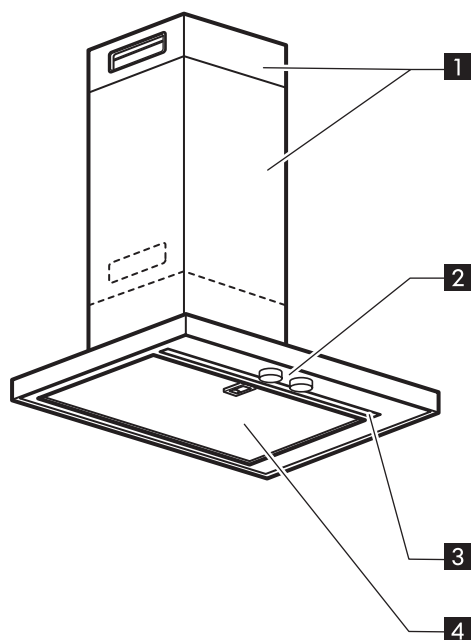
Les accessoires de fixation murale ne sont pas inclus car ils diffèrent selon le matériau de construction de la paroi.

Utilisez des systèmes de fixation adaptés aux murs de votre maison et au poids de votre électroménager.

Pour plus d'informations, contactez un revendeur spécialisé.

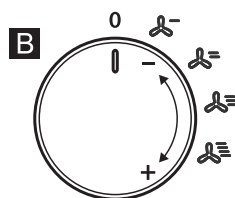
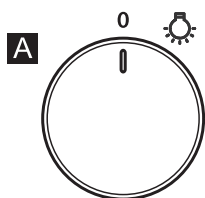
Conservez le présent livret pour toute consultation future.

Description de l'appareil



- 1** Cheminée.
- 2** Bandeau de commandes.
- 3** Lampe
- 4** Filtre à graisses.

Bandeau de commandes



A Bouton marche/arrêt de l'éclairage

B Bouton de sélection de la vitesse d'aspiration (puissance)

0 arrêt

Vitesse (puissance) d'aspiration lente

Vitesse (puissance) d'aspiration moyenne

Vitesse (puissance) d'aspiration rapide

Vitesse (puissance) d'aspiration maximum

Nettoyage et entretien

AVERTISSEMENT :

- N'utilisez jamais d'appareil de nettoyage à la vapeur
- Débranchez la hotte de l'alimentation électrique.

REMARQUE IMPORTANTE : N'utilisez ni produits corrosifs ni détergents abrasifs. En cas de contact accidentel d'un tel produit avec l'appareil, essuyez-le immédiatement à l'aide d'un chiffon humidifié.

- Nettoyez les surfaces à l'aide d'un chiffon humide. Si elles sont particulièrement sales, utilisez de l'eau additionnée de quelques gouttes de liquide à vaisselle. Essuyez avec un chiffon sec.

REMARQUE IMPORTANTE : Évitez d'utiliser des éponges abrasives et/ou des pailles de fer. À la longue, elles risqueraient d'endommager la surface.

- Utilisez des détergents spécifiquement conçus pour le nettoyage de l'appareil et suivez les instructions du fabricant.

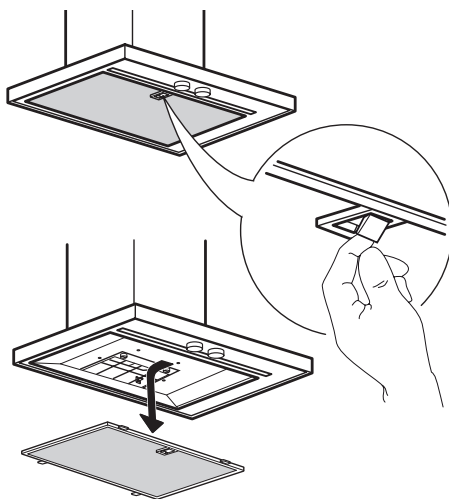
REMARQUE IMPORTANTE : nettoyez les filtres au moins une fois par mois pour enlever les résidus d'huile ou de graisse.

Nettoyage du filtre à graisses

Le filtre métallique à graisses a une durée illimitée et doit être lavé une fois par mois à la main ou au lave-vaisselle à basse température, en sélectionnant un cycle court. Si vous le nettoyez en machine, il se peut que le filtre à graisses devienne opaque, ce qui ne réduit nullement son efficacité.

Entretien du filtre à graisses :

1. Débranchez la hotte de l'alimentation secteur.
2. Retirez les filtres à graisses : tirez sur la poignée de décrochage à ressort, puis sortez les filtres en les tirant vers le bas.
3. Une fois le filtre à graisse nettoyé, réinstallez-le en procédant dans l'ordre inverse et en veillant à ce que toute la surface d'aspiration soit recouverte.

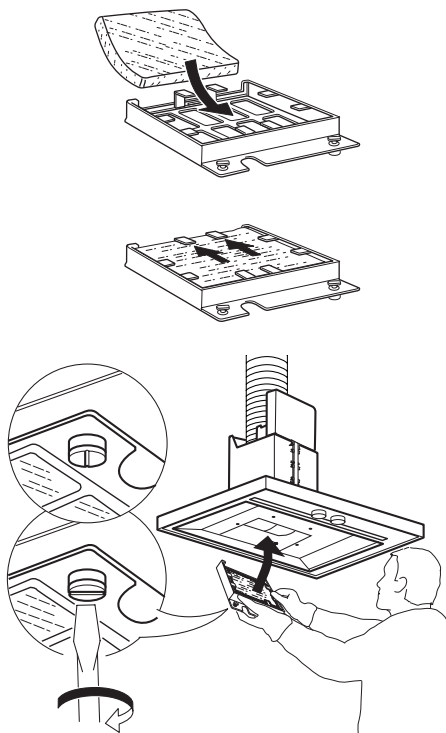


Entretien du filtre à charbon (si la hotte est installée en mode recyclage)

1. Débranchez la hotte ou coupez le courant.
2. Démontez le filtre à graisse tel qu'indiqué précédemment, dans le chapitre du filtre à graisse.
3. Retirez le support du filtre à charbon
4. Retirez/reposez le filtre à charbon
5. Accrochez d'abord le filtre à charbon à la languette en métal, à l'arrière de la hotte.
6. Fixez-le à l'avant à l'aide des deux boutons.
7. Réinstallez le filtre à graisses.

Contrairement aux filtres au charbon traditionnels, ce filtre au charbon peut être lavé et réactivé.

Si la hotte est utilisée de façon normale, nettoyez le filtre une fois par mois. La meilleure façon de nettoyer le filtre au charbon est de le laver au lave-vaisselle à température maximum, en utilisant un détergent normal pour lave-vaisselle. Pour éviter que des restes d'aliments ou autres impuretés ne se déposent sur le filtre pendant le lavage et ne génèrent de mauvaises odeurs, il est conseillé de laver le filtre seul. Après avoir lavé le filtre, séchez-le au four à 100 °C pendant 10 minutes pour réactiver ses propriétés. Le filtre conserve sa capacité d'absorption des odeurs pendant trois ans, après quoi son remplacement est nécessaire.



Remplacement de l'ampoule

La hotte est équipée d'un système d'éclairage reposant sur la technologie DEL. Les voyants garantissent un éclairage optimal, une durée jusqu'à 10 fois supérieure à celle des ampoules traditionnelles et jusqu'à 90 % d'économies d'énergie.

Pour tout remplacement, contactez le centre d'entretien et de réparation agréé.

Ce qu'il convient de faire si...

Problème	Cause possible	Solution
L'appareil ne fonctionne pas.	Il ne reçoit aucune alimentation électrique.	Vérifiez la présence d'une alimentation secteur. Éteignez l'appareil puis remettez-le en marche pour vérifier si le problème a été éliminé.
	L'appareil n'est pas raccordé à l'alimentation électrique.	Vérifiez si l'appareil est raccordé à l'alimentation électrique. Éteignez l'appareil puis remettez-le en marche pour vérifier si le problème a été éliminé.
Le niveau d'aspiration de la hotte est insuffisant.	La vitesse d'aspiration est trop faible.	Vérifiez la vitesse d'aspiration sélectionnée et modifiez-la selon le besoin.
	Les filtres à graisse sont sales. 4	Vérifiez si les filtres sont propres. S'ils ne le sont pas, lavez les filtres au lave-vaisselle.
	Les filtres anti-odeur sont sales	Vérifiez que les filtres anti-odeurs sont correctement lavés comme recommandé
	Les orifices de ventilation sont obstrués.	Vérifiez si les orifices de ventilation sont obstrués et dégagez-les selon le besoin.
L'éclairage ne fonctionne pas.	La lampe à LED est cassée. 3	Pour le remplacement, contactez le centre d'entretien et de réparation agréé

Avant de contacter le centre d'entretien et de réparation agréé :

Remettez l'appareil en marche pour vérifier si le problème a disparu. Si le problème persiste, débranchez à nouveau l'appareil et recommencez l'opération une heure plus tard. Si votre appareil ne fonctionne toujours pas correctement après la réalisation des vérifications ci-avant, prenez contact avec le centre d'entretien et de réparation agréé, expliquez clairement le problème et spécifiez :

- le type de dysfonctionnement ;
- le modèle de l'appareil ;

- le type et le numéro de série de l'appareil (informations indiquées sur la plaque signalétique) ;
- le numéro de service (numéro figurant après l'indication SERVICE, sur la plaque signalétique apposée à l'intérieur de l'appareil).

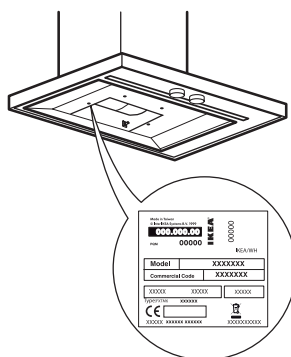
SERVICE 0000 000 00000



Données techniques


Type de produit		Hotte murale	
Dimensions	Largeur	mm	598
	Profondeur	mm	458
	Hauteur min	mm	633
	Hauteur max	mm	1088
Puissance totale		W	217
Info lampes	Type		LED
	Nombre et puissance	W	1x7W
	Prise		strip led
Hauteur d'installation minimale - cuisinière gaz		cm	65
Hauteur d'installation minimale - cuisinière électrique		cm	50
Poids du produit		Kg	12,9
Fiche de produit conformément au règlement délégué (UE) N° 65/2014 de la Commission			
Identifiant du modèle			MATÅLSKARE 90368800 MATÅLSKARE 60368806 MATÅLSKARE 10368804 MATÅLSKARE 30368803 MATÅLSKARE 40368807 MATÅLSKARE 10388977 MATÅLSKARE 70392325 MATÅLSKARE 00392197 MATÅLSKARE 60392137 MATÅLSKARE 20393964
Consommation d'énergie annuelle		kWh/a	40,6
Facteur d'accroissement dans le temps			0,9
Efficacité fluidodynamique		%	29,3
Indice d'efficacité énergétique			51,7
Débit d'air mesuré au point de rendement maximal		m ³ /h	278,0
Pression d'air mesurée au point de rendement maximal		Pa	410,0
Débit d'air maximal		m ³ /h	510
Puissance électrique à l'entrée mesurée au point de rendement maximal		W	108,0
Puissance nominale du système d'éclairage		W	7
Éclairement moyen du système d'éclairage sur la surface de cuisson		lux	203,0
Consommation d'électricité en mode veille		W	NA
Consommation d'électricité en mode arrêt		W	NA
Niveau de puissance acoustique pondéré à vitesse maximale		dB(A)	65

Les caractéristiques techniques sont indiquées sur la plaque signalétique apposée à l'intérieur de l'appareil.




Protection de l'environnement

Mise au rebut de l'emballage

Les matériaux d'emballage sont entièrement recyclables et portent le symbole de recyclage . L'emballage doit par conséquent être mis au rebut de façon responsable et en conformité avec les réglementations locales en vigueur en matière d'élimination des déchets.

Mise au rebut de l'appareil

- Cet appareil est certifié conforme à la Directive Européenne 2012/19/CE relative aux déchets d'équipements électriques et électroniques (DEEE ou WEEE).
- En procédant correctement à la mise au rebut de cet appareil, vous contribuerez à éviter des conséquences nuisibles pour l'environnement et la santé de l'homme.

Le symbole  apposé sur le produit ou sur la documentation qui l'accompagne indique que cet appareil ne doit pas être traité comme une ordure ménagère mais doit être remis à un centre de collecte spécialisé dans le recyclage des appareils électriques et électroniques.

Mise au rebut des appareils ménagers usagés

- Cet appareil est fabriqué à partir de matériaux recyclables ou réutilisables. Mettez-le au rebut en vous conformant aux prescriptions locales en matière d'élimination des déchets. Avant de mettre votre appareil au rebut, coupez le cordon d'alimentation.
- Pour toute information sur le traitement, la récupération et le recyclage des appareils électroménagers, contactez le service municipal compétent, le service de collecte des déchets ménagers ou le revendeur de l'appareil.

Astuces d'économies d'énergie

- Mettez la hotte en marche à la vitesse minimum quand vous commencez à faire cuire et laissez-la en marche pendant quelques minutes après la fin de la cuisson.
- Augmentez la vitesse uniquement en présence de grandes quantités de fumées et de vapeurs et réservez-la ou les vitesses d'appoint aux cas extrêmes.
- Remplacez le ou les filtres de charbon si nécessaire pour maximiser la réduction des odeurs.
- Remplacez le ou les filtres à graisse si nécessaire pour maximiser la capture des graisses.
- Utilisez le diamètre maximum de canalisation indiqué dans ce manuel pour optimiser l'efficacité et minimiser le bruit.

Déclaration de conformité

Cet appareil a été conçu, fabriqué et commercialisé en conformité avec :

- les objectifs sécurité de la directive « Basse Tension » 2014/35/UE;
- les exigences d'écodesign des réglementations européennes 65/2014 et 66/2014, conformément à la norme européenne EN 61591 ;
- les conditions requises en matière de protection de la Directive « CEM » 2014/30/EU.

La sécurité électrique de l'appareil est garantie uniquement lorsqu'il est correctement raccordé à une installation de mise à la terre approuvée.

GARANTIE IKEA (FRANCE)

CONTRAT DE GARANTIE ET DE SERVICE APRES-VENTE IKEA

Décret n° 87-1045 relatif à la présentation des écrits constatant les contrats de garantie et de service après-vente (J.O.R.F. du 29 décembre 1987).

Préalablement à la signature du bon de commande, le vendeur indiquera à l'acheteur les installations nécessaires pour assurer le branchement de l'appareil selon les règles de l'art.

Numéros de modèle et de série (Reporter ici le numéro d'identification porté sur l'étiquette code barre du produit)

Modèle :

N° de série :

Date d'achat (Reporter ici la date d'achat portée sur votre ticket de caisse) :

Le vendeur est tenu de fournir une marchandise conforme à la commande.

Livraison et mise en service

Livraison à domicile : oui, si demandée par le client (selon modalités définies et mentionnées sur la facture d'achat ou le bon de commande).

Gratuite : non (tarif et modalités disponibles en magasin et fournis au client au moment de la commande ou de l'achat).

Mise en service : non.

En cas de défauts apparents ou d'absence de notice d'emploi et d'entretien, l'acheteur a intérêt à les faire constater par écrit par le vendeur ou le livreur lors de l'enlèvement de la livraison ou de la mise en service.

Garantie Légale (sans supplément de prix)

A la condition que l'acheteur fasse la preuve du défaut caché, le vendeur doit légalement en réparer toutes les conséquences (art.1641 et suivants du Code Civil). Si l'acheteur s'adresse aux tribunaux, il doit le faire dans un délai de deux ans à compter de la découverte du défaut caché (art.1648 du Code Civil).

Nota - En cas de recherche de solutions amiables préalablement à toute action en justice, il est rappelé qu'elles n'interrompent pas le délai de prescription. La réparation des conséquences du défaut caché, lorsqu'il a été

prouvé, comporte, selon la jurisprudence:

- soit la réparation totalement gratuite de l'appareil, y compris les frais de main-d'oeuvre et de déplacement au lieu de la mise en service ;
- soit son remplacement ou le remboursement total ou partiel de son prix au cas où l'appareil serait totalement ou partiellement inutilisable ;
- et l'indemnisation du dommage éventuellement causé aux personnes ou aux biens par le défaut de l'appareil.

La garantie légale due par le vendeur n'exclut en rien la garantie légale due par le constructeur.

Litiges éventuels

En cas de difficulté vous avez la possibilité, avant toute action en justice, de rechercher une solution amiable, notamment avec l'aide:

- d'une association de consommateurs ;
- ou d'une organisation professionnelle de la branche;
- ou de tout autre conseil de votre choix.

Il est rappelé que la recherche d'une solution amiable n'interrompt pas le délai de deux ans de l'art.1648 du Code Civil.

Il est aussi rappelé qu'en règle générale et sous réserve de l'appréciation des tribunaux, le respect des dispositions de la présente garantie contractuelle suppose :

- Que l'acheteur honore ses engagements financiers envers le vendeur;
- Que l'acheteur utilise l'appareil de façon normale; (*)
- Que pour les opérations nécessitant une haute technicité aucun tiers non agréé par le vendeur ou le constructeur n'intervienne pour réparation sur l'appareil (sauf cas de force majeure ou carence prolongée du vendeur).

(*) Voir la notice d'emploi et d'entretien et les conditions d'application de la garantie contractuelle

Garantie contractuelle IKEA

PRIX : rien à payer en sus.

DUREE : 5 (cinq) ans.

POINT DE DEPART : à compter de la date

d'achat chez IKEA.

REPARATION DE L'APPAREIL :

- remplacement des pièces, main-d'oeuvre, déplacement, transport des pièces ou de l'appareil : oui
- garantie des pièces remplacées : non
- délai d'intervention : fonction du type de réparation et porté à la connaissance de l'acheteur avant intervention.

REPLACEMENT OU REMBOURSEMENT DE L'APPAREIL (en cas d'impossibilité de réparation reconnue par le vendeur et le constructeur) : oui

Pour mettre en oeuvre le service après-vente en cas de panne couverte par la garantie contractuelle, ou pour obtenir des informations techniques pour la mise en service ou le bon fonctionnement de l'appareil, contacter IKEA au numéro de téléphone respectif, suivant le pays, indiqué à la fin de cette notice et correspondant à votre appareil.

Conservez votre preuve d'achat avec le document de garantie, ils vous seront nécessaires pour la mise en oeuvre de la garantie.

CONDITIONS DE GARANTIE CONTRACTUELLE IKEA

Quelle est la durée de validité de la garantie?

La présente garantie est valable cinq (5) ans à compter de la date d'achat chez IKEA d'un appareil électroménager de l'assortiment cuisines.

L'original du ticket de caisse, de la facture ou du bon de livraison en cas de vente à distance sera exigé comme preuve de l'achat. Conservez-le dans un endroit sûr.

La réparation ou le remplacement du produit défectueux n'a pas pour conséquence de prolonger la durée initiale de garantie.

Toutefois, conformément à l'art. L.211-16 du Code de la Consommation, toute période d'immobilisation du produit, pour une remise en état couverte par la garantie, d'au moins sept jours vient s'ajouter à la durée de la garantie qui restait à courir à la date de la demande d'intervention du consommateur ou de la mise à disposition pour réparation du bien en cause, si cette mise à disposition est

postérieure à la demande d'intervention.

Quels sont les appareils électroménagers couverts par la garantie ?

La garantie IKEA de cinq (5) ans couvre tous les appareils électroménagers de l'assortiment cuisines,, achetés chez IKEA à compter du 1er août 2007.

Qui est couvert par la garantie ?

La présente garantie concerne l'acheteur agissant en qualité de consommateur à compter de la date d'achat du produit.

Qui exécutera les prestations dans le cadre de la garantie ?

Le prestataire de services désigné par IKEA fournira l'assistance de son réseau de réparateurs agréés pour vous servir dans le cadre de cette garantie. Pour la mise en oeuvre, veuillez vous reporter à la rubrique «Comment nous joindre ».

Que couvre cette garantie ?

La présente garantie IKEA couvre les défauts de construction et de fabrication susceptibles de nuire à une utilisation normale, à compter de la date d'achat chez IKEA par le client. Elle ne s'applique que dans le cadre d'un usage domestique.

Les exclusions sont reprises dans la section "Qu'est-ce qui n'est pas couvert dans le cadre de cette garantie ?"

Les présentes conditions de garantie couvrent les frais de réparation, de pièces de rechange, de main d'oeuvre et de déplacement du personnel à domicile pendant une période de cinq (5) ans, à compter de la date d'achat chez IKEA, sous réserve que les défauts soient couverts et à condition que l'appareil soit disponible pour réparation sans occasionner de dépenses spéciales. Voir aussi "Rappel des dispositions légales". Les pièces remplacées deviennent la propriété de IKEA. Ces dispositions ne s'appliquent pas aux réparations effectuées sans autorisation du prestataire de services IKEA.

Que ferons-nous pour remédier au problème?

Dans le cadre de cette garantie, le prestataire de service désigné par IKEA, examinera le produit. Si après vérification, et hormis

mise en oeuvre de la garantie légale, il est reconnu que votre réclamation est couverte par la présente garantie contractuelle, il sera procédé à la réparation du produit défectueux, ou en cas d'impossibilité de réparation, à son remplacement par le même article ou par un article de qualité et de technicité comparable. Compte tenu des évolutions technologiques, l'article de remplacement de qualité équivalente peut être d'un prix inférieur au modèle acheté. Si aucun article équivalent n'est disponible, et en cas d'impossibilité totale ou partielle de réparation reconnue par le prestataire de IKEA ou son représentant agréé, sous réserve que les conditions d'application de la garantie soient remplies, IKEA procédera au remboursement total ou partiel de l'appareil reconnu défectueux.

Le prestataire de service désigné par IKEA s'engage à tout mettre en oeuvre pour apporter une solution rapide et satisfaisante dans le cadre de cette garantie mais ni IKEA, ni le prestataire ne sauraient être tenus pour responsables des cas de forces majeurs, tels que définis par la jurisprudence, susceptibles d'empêcher l'application correcte de la garantie.

Qu'est-ce qui n'est pas couvert dans le cadre de la présente garantie ?

- L'usure normale et graduelle inhérente aux appareils électroménagers, compte tenu de la durée de vie et du comportement communément admis pour des produits semblables.
- Les dommages engageant la responsabilité d'un tiers ou résultant d'une faute intentionnelle ou dolosive.
- Les dommages résultant du non respect des consignes d'utilisation, d'une mauvaise installation non conforme aux instructions du fabricant et/ou aux règles de l'art, notamment en matière de raccordement au réseau électrique, ou aux arrivées d'eau ou de gaz qui requièrent l'intervention d'un professionnel qualifié.
- Les dommages tels que, entre autres, le vol, la chute ou le choc d'un objet, l'incendie, la décoloration à la lumière, les brûlures, l'humidité ou la chaleur sèche excessive ou toute autre condition environnementale anormale, les coupures, les éraflures, toute imprégnation par un liquide, les réactions chimiques ou électrochimiques, la rouille, la corrosion, ou un dégât des eaux résultant entre autres, d'un taux de calcaire trop élevé dans l'eau d'approvisionnement.
- Les pièces d'usure normale dites pièces consommables, comme par exemple les piles, les ampoules, les filtres, les joints, tuyaux de vidange, etc. qui nécessitent un remplacement régulier pour le fonctionnement normal de l'appareil.
- Les dommages aux éléments non fonctionnels et décoratifs qui n'affectent pas l'usage normal de l'appareil, notamment les rayures, coupures, éraflures, décoloration.
- Les dommages accidentels causés par des corps ou substances étrangers et par le nettoyage et déblocage des filtres, systèmes d'évacuation ou compartiments pour détergent.
- Les dommages causés aux pièces suivantes : verre céramique, accessoires, paniers à vaisselle et à couverts, tuyaux d'alimentation et d'évacuation, joints, lampes et protections de lampes, écrans, boutons et poignées, châssis et parties de châssis.
- Les frais de transport de l'appareil, de déplacement du réparateur et de main-d'oeuvre relatif à un dommage non garanti ou non constaté par le réparateur agréé.
- Les réparations effectuées par un prestataire de service et /ou un partenaire non agréés, ou en cas d'utilisation de pièces autres que des pièces d'origine, toute réparation de fortune ou provisoire restant à la charge du client qui supporterait en outre, les conséquences de l'aggravation éventuelle du dommage en résultant.
- L'utilisation en environnement non domestique, par exemple usage professionnel ou collectif, ou dans un lieu public.
- Les dommages liés au transport lorsque l'appareil est emporté par le client lui-même ou un prestataire de transport qu'il a lui-même désigné. Lorsque l'appareil est

livré par IKEA, les dommages résultant du transport seront pris en charge par IKEA. Le client doit vérifier ses colis et porter IMPÉRATIVEMENT sur le bon de livraison des RESERVES PRÉCISES : indication du nombre de colis manquants et/ou endommagés, et description détaillée du dommage éventuel (emballage ouvert ou déchiré, produit détérioré ou manquant, etc.)

- Les coûts d'installation initiaux. Toutefois, si le prestataire de service ou son partenaire agréé procède à une réparation ou un remplacement d'appareil selon les termes de la présente garantie, le prestataire de service ou son partenaire agréé ré-installeront le cas échéant l'appareil réparé ou remplacé.

La garantie reste toutefois applicable aux appareils ayant fait l'objet d'une adaptation dans le respect des règles de l'art par un spécialiste qualifié avec des pièces d'origine du fabricant pour une mise en conformité de l'appareil aux spécifications techniques d'un autre pays membre de l'Union Européenne.

Rappel des dispositions légales :

Le fabricant s'engage à garantir la conformité des biens au contrat ainsi que les éventuels vices cachés, conformément aux dispositions légales figurant ci-après, sans que cela ne fasse obstacle à la mise en oeuvre de la garantie commerciale ci-dessus consentie lorsque celle-ci est plus étendue que la garantie légale.

« Garantie légale de conformité » (extrait du code de la consommation)

- Art. L. 211-4. « Le vendeur est tenu de livrer un bien conforme au contrat et répond des défauts de conformité existant lors de la délivrance. Il répond également des défauts de conformité résultant de l'emballage, des instructions de montage ou de l'installation lorsque celle-ci a été mise à sa charge par le contrat ou a été réalisée sous sa responsabilité. »
- Art. L. 211-12. « L'action résultant du défaut de conformité se prescrit par deux ans à compter de la délivrance du bien. »
- Art. L. 211-5. « Pour être conforme au

contrat, le bien doit :

- 1° Être propre à l'usage habituellement attendu d'un bien semblable et, le cas échéant :
 - correspondre à la description donnée par le vendeur et posséder les qualités que celui-ci a présentées à l'acheteur sous forme d'échantillon ou de modèle ;
 - présenter les qualités qu'un acheteur peut légitimement attendre eu égard aux déclarations publiques faites par le vendeur, par le producteur ou par son représentant, notamment dans la publicité ou l'étiquetage;
- 2° Ou présenter les caractéristiques définies d'un commun accord par les parties ou être propre à tout usage spécial recherché par l'acheteur, porté à la connaissance du vendeur et que ce dernier a accepté. »

« De la garantie des défauts de la chose vendue » (extrait du code civil)

- Art. 1641. « Le vendeur est tenu de la garantie à raison des défauts cachés de la chose vendue qui la rendent impropre à l'usage auquel on la destine, ou qui diminuent tellement cet usage, que l'acheteur ne l'aurait pas acquise, ou n'en aurait donné qu'un moindre prix, s'il les avait connus. »
- Art. 1648 (1er alinéa). « L'action résultant des vices rédhibitoires doit être intentée par l'acquéreur dans un délai de deux ans à compter de la découverte du vice. »

Où s'applique la présente garantie ?

Sous réserve de conformité aux spécifications techniques et réglementations applicables et propres à chaque pays le cas échéant, les garanties pourront être exercées auprès de l'organisation IKEA locale du pays où le produit est utilisé sur tout le territoire de l'Union Européenne (hors DOM et TOM). Les conditions de garantie, étendues et limites, sont celles applicables sur le marché local. Il est recommandé de se les procurer auprès de l'organisation IKEA locale.

Le centre de réparation et d'entretien agréé applicable à vos appareils électroménagers IKEA :

N'hésitez pas à contacter le centre d'entretien

et de réparation agréé IKEA pour :

1. requérir la mise en oeuvre du service dans le cadre de cette garantie contractuelle.
2. obtenir des conseils pour l'installation de l'appareil IKEA dans un meuble de cuisine IKEA prévu à cet effet.
3. obtenir des informations pour le bon fonctionnement de l'appareil.

Pour pouvoir vous apporter la meilleure assistance, assurez-vous d'avoir lu attentivement les instructions de montage et/ou le manuel de l'utilisateur avant de nous contacter.

Comment nous joindre pour la mise en oeuvre de la présente garantie ?



i Dans le but de vous fournir un service rapide, veuillez utiliser le numéro de téléphone spécifique à votre pays indiqué dans le manuel. Veuillez toujours vous reporter aux numéros énoncés dans le livret fourni spécifiquement avec l'appareil IKEA pour lequel vous avez besoin d'assistance.

Avant de nous appeler, assurez vous de disposer de la référence IKEA (code à 8 chiffres) et du numéro de service (code à 12 chiffres) que vous trouverez sur la plaque d'identification apposée sur l'appareil.

i **CONSERVEZ IMPERATIVEMENT L'ORIGINAL DE VOTRE TICKET DE CAISSE, FACTURE OU BON DE LIVRAISON AVEC LE LIVRET DE GARANTIE !**

Ils vous seront nécessaires comme preuve de l'achat pour vous permettre de bénéficier de la présente garantie. Vous y retrouverez notamment la désignation et la référence IKEA (code à 8 chiffres) de chaque appareil acheté.

Besoin d'aide supplémentaire?

Si vous avez des questions supplémentaires sur les conditions d'application des garanties IKEA (étendues et limites, produits couverts), adressez-vous à votre magasin IKEA le plus proche. Adresse et horaires sur le site www.IKEA.fr, dans le catalogue IKEA ou par téléphone au 0825 10 3000 (0,15 €/mn).

GARANTIE IKEA (BELGIQUE)

Quelle est la durée de validité de la garantie IKEA?

Cette garantie est valable cinq (5) ans à compter de la date d'achat de votre appareil chez IKEA. La preuve d'achat originale est requise. Les réparations, effectuées sous garantie ne prolongent pas la période de garantie de l'appareil.

Quels appareils ne sont pas couverts par cette garantie de cinq (5) ans ?

Les appareils portant le nom de LAGAN et tous les appareils achetés chez IKEA avant le 1^{er} août 2007.

Que couvre la garantie ?

La garantie couvre les défauts de l'appareil, dus à des vices de matière ou de fabrication, à partir de la date d'achat chez IKEA.

Cette garantie ne s'applique que dans le cas d'un usage domestique. Les exceptions sont spécifiées à la rubrique "Qu'est-ce qui n'est pas couvert par cette garantie ?"

Pendant la période de garantie, les coûts engagés pour remédier au problème, par exemple les réparations, les pièces, la main-d'œuvre et les déplacements sont pris en charge à condition que l'appareil soit accessible à des fins de réparation sans dépenses particulières. La directive UE (N° 99/44/CE) et les réglementations locales respectives s'appliquent à ces conditions. Les pièces remplacées deviendront propriété d'IKEA.

Que fera IKEA pour régler le problème ?

Le réparateur désigné par IKEA examinera le

produit et décidera, à sa seule discrétion, s'il est couvert par cette garantie. Si le réparateur estime que le produit est couvert, celui-ci, ou un partenaire autorisé, soit réparera le produit défectueux, soit le remplacera par un produit identique ou comparable, à sa seule discrétion.

Qu'est-ce qui n'est pas couvert par cette garantie?

- L'usure normale.
- Les dommages occasionnés sciemment ou par négligence, les dommages résultant du non-respect des instructions d'utilisation, d'une installation inadéquate ou d'une alimentation électrique inadéquate, les dommages causés par des réactions chimiques ou électrochimiques, la rouille, la corrosion ou un dégât des eaux, y compris, notamment, les dommages causés par un excès de calcaire dans l'eau, les dommages causés par des conditions environnementales anormales.
- Les consommables, y compris les ampoules et les piles.
- Les éléments non fonctionnels et décoratifs qui n'affectent pas l'usage normal de l'appareil, y compris les griffes et les éventuelles différences de couleur.
- Les dommages accidentels causés par des corps étrangers ou des substances, et le nettoyage et le débouchage des filtres, les systèmes de vidange ou les compartiments à savon.
- Les dommages occasionnés aux éléments suivants : vitrocéramique, accessoires, paniers à vaisselle et à couverts, tuyaux d'alimentation et de vidange, joints, ampoules et diffuseurs, écrans, boutons, revêtements et parties de revêtements, sauf s'il est prouvé que ces dommages sont dus à des vices de fabrication.
- Les cas où aucun défaut n'est constaté par le technicien.
- Les réparations qui ne sont pas effectuées par nos réparateurs désignés et/ou un partenaire contractuel autorisé et lorsque des pièces qui ne sont pas d'origine ont été utilisées.
- Les réparations consécutives à une

installation inadéquate ou pas conforme aux spécifications.

- L'utilisation de l'appareil dans un environnement non domestique, (p.ex. professionnel).
- Les dommages occasionnés par ou durant le transport. Si un client transporte personnellement le produit jusqu'à son domicile ou une autre adresse, IKEA décline toute responsabilité en cas de dommages pendant le transport. Si IKEA livre le produit à l'adresse de livraison indiquée par le client, tout éventuel dommage se produisant en cours de livraison sera couvert par IKEA.
- Les frais liés à l'installation initiale de l'appareil IKEA.

Si un prestataire de service IKEA ou un partenaire contractuel autorisé répare ou remplace l'appareil conformément à la présente garantie, le prestataire de services ou le partenaire agréé autorisé réinstallera l'appareil réparé ou installera l'appareil de remplacement, le cas échéant.

Ces restrictions ne s'appliquent pas aux interventions correctes d'un spécialiste qualifié utilisant nos pièces d'origine afin d'adapter l'appareil aux spécifications techniques de sécurité d'un autre pays européen.

Loi nationale applicable

La garantie IKEA vous donne des droits légaux spécifiques, qui couvrent ou dépassent toutes les exigences légales locales.

Cependant, ces conditions ne limitent en aucun cas les droits des consommateurs décrits dans la législation locale.

Zone de validité

Pour les appareils achetés dans un pays européen et transportés dans un autre pays européen, les interventions seront effectuées dans le cadre des conditions de garantie normales dans le nouveau pays.

L'obligation de réparation dans le cadre de la garantie n'est effective que si l'appareil est conforme et installé conformément aux :

- spécifications techniques du pays dans lequel la demande d'intervention sous garantie est introduite ;
- instructions de montage et aux informations

relatives aux consignes de sécurité figurant dans le manuel d'utilisation.

Centre d'entretien et de réparation agréé exclusif pour appareils IKEA

N'hésitez pas à contacter un centre d'entretien et de réparation agréé IKEA pour :

- Faire une demande d'intervention sous garantie.
- Demander des précisions au sujet de l'installation des appareils IKEA dans les meubles de cuisine IKEA.
- Demander des précisions au sujet des fonctions des appareils IKEA.

Afin de vous garantir la meilleure assistance possible, nous vous prions de lire attentivement les instructions d'assemblage et le mode d'emploi avant de nous contacter.

Comment nous joindre en cas de besoin



Consultez la dernière page de ce manuel pour la liste complète des services Après-vente agréés IKEA avec leur numéro de téléphone respectifs.

- i** Afin de mieux vous servir, nous vous conseillons d'utiliser les numéros de téléphone spécifiques repris dans le mode d'emploi. Sur base des numéros repris dans le livret, mentionnez toujours les références de l'appareil pour lequel vous demandez assistance. Ayez toujours à disposition le numéro d'article IKEA (il s'agit d'un numéro composé de 8 chiffres) ainsi que le code service composé de 12 chiffres que vous trouverez sur la plaque signalétique de votre appareil.

i CONSERVEZ VOTRE PREUVE D'ACHAT!

La preuve de votre achat est nécessaire pour l'application de la garantie. Le nom et le numéro d'article (code à 8 chiffres) IKEA de chaque appareil acheté figurent également sur la preuve d'achat.

Besoin d'une assistance supplémentaire?

Pour toute autre questions en dehors du service après-vente de vos appareils, contactez le call center de votre magasin IKEA. Nous vous recommandons de lire attentivement toute la documentation fournie avec l'appareil avant de nous contacter.

Sommario

Istruzioni per la sicurezza	46	Cosa fare se ...	53
Utilizzo	49	Dati tecnici	54
Descrizione dell'apparecchio	50	Consigli per la salvaguardia dell'ambiente	55
Pannello comandi	50	GARANZIA IKEA	56
Pulizia e manutenzione	51		

Istruzioni per la sicurezza

Prima del primo utilizzo

La sicurezza dell'utente e delle altre persone è molto importante.


Rimuovere protezioni di cartone, pellicole protettive ed etichette adesive dagli accessori.

Controllare che l'apparecchio non presenti danni da trasporto.


Per non danneggiare l'apparecchio, non collocare pesi sopra di esso.


Evitare l'esposizione dell'apparecchio agli agenti atmosferici.

Il presente manuale e l'apparecchio stesso sono corredati da importanti messaggi relativi alla sicurezza, da leggere ed osservare sempre.

 Questo è il simbolo di pericolo, relativo alla sicurezza, il quale avverte dei potenziali rischi per l'utilizzatore e per gli altri.

Tutti i messaggi relativi alla sicurezza saranno preceduti dal simbolo di pericolo e dai seguenti termini:

 **PERICOLO:** indica una situazione pericolosa che, se non evitata, provoca lesioni gravi.


 **AVVERTENZA:** indica una situazione pericolosa che, se non evitata, potrebbe provocare lesioni gravi.

Tutte le avvertenze di sicurezza forniscono dettagli specifici del possibile pericolo presente oltre che indicazioni su come ridurre il rischio di lesioni, danni e scossa elettrica conseguenti ad un uso non appropriato dell'apparecchio. Osservare attentamente le istruzioni seguenti.

Precauzioni e suggerimenti generali

- L'installazione e il collegamento elettrico devono essere effettuati da un tecnico qualificato secondo le istruzioni del produttore ed in conformità alle norme locali sulla sicurezza. Non riparare o sostituire qualsiasi parte dell'apparecchio se non specificatamente raccomandato nel manuale d'uso.
- L'apparecchio deve essere scollegato dalla rete elettrica prima di effettuare qualunque intervento d'installazione.


⚠ AVVERTENZA: la mancata installazione delle viti o degli elementi di fissaggio come previsto dalle presenti istruzioni può causare pericoli elettrici.

- La messa a terra dell'apparecchio è obbligatoria per legge. (Non possibile per le cappe in classe II identificate dal simbolo  nella targhetta matricola).
- Non tirare il cavo di alimentazione dell'apparecchio per staccarlo dalla presa di corrente.
- Una volta terminata l'installazione, i componenti elettrici non dovranno essere accessibili dall'utilizzatore.
- Non toccare l'apparecchio con parti del corpo umide e non utilizzarlo a piedi nudi.
- Questo apparecchio può essere utilizzato da bambini di età superiore agli 8 anni e da persone con ridotte capacità fisiche, sensoriali o mentali o con esperienza e conoscenza inadeguate solo se sorvegliati o se hanno ricevuto istruzioni sull'utilizzo sicuro dell'apparecchio e ne comprendono i rischi. Vietare ai bambini di giocare con l'apparecchio. La pulizia e la manutenzione ordinaria non devono essere effettuate da bambini senza la supervisione di un adulto.
- Tutti gli altri servizi di manutenzione devono essere eseguiti da un tecnico specializzato.
- Quando si fora la parete, fare attenzione a non danneggiare i collegamenti elettrici e/o tubature.
- Le aperture di ventilazione devono essere sempre scaricate all'aperto.
- Il fabbricante declina ogni responsabilità per qualsiasi danno causato da un uso improprio o da impostazioni errate.
- Una manutenzione e una pulizia adeguate assicurano la buona riuscita del lavoro e le migliori prestazioni dell'apparecchio. Pulire regolarmente tutto lo sporco ostinato sulla superficie per evitare accumuli di grasso. Rimuovere e pulire o cambiare regolarmente il filtro. Seguire a questo scopo le istruzioni fornite su "Pulizia e manutenzione".
- Non cucinare cibo alla fiamma ("flambé") sotto l'apparecchio. L'uso di fiamme libere potrebbe causare un incendio.
- L'inosservanza delle istruzioni per la pulizia della cappa e per la sostituzione e pulizia dei filtri comporta rischi di incendi.

- L'aria di scarico non deve essere scaricata in un condotto utilizzato per evacuare i fumi prodotti da apparecchi a combustione di gas o di altri combustibili, ma deve avere l'uscita indipendente.
- Devono essere rispettate tutte le normativa nazionali relative allo scarico dell'aria.
- Deve essere presente una ventilazione adeguata se la cappa è utilizzata insieme ad altri apparecchi che impiegano gas o altri combustibili. La pressione negativa del locale non deve essere superiore a 4 Pa (4 x 10⁻⁵ bar). Per questo motivo, assicurarsi che il locale sia ben arieggiato. In caso di dubbi, rivolgersi a un centro di assistenza autorizzato o a un professionista qualificato.
- Non lasciare padelle sul fuoco senza sorveglianza durante la frittura di alimenti, in quanto l'olio usato per la frittura potrebbe infiammarsi.
- Prima di toccare le lampadine sincerarsi che siano fredde.
- Non utilizzare o lasciare la cappa priva della lampadina correttamente montata, poiché questo può causare una scossa elettrica.
- La cappa non è un piano di appoggio, perciò non appoggiarvi oggetti né

sovraccaricarla.


- Per tutte le operazioni di installazione e manutenzione utilizzare guanti da lavoro adeguati.
- L'apparecchio non è idoneo all'utilizzo in esterno.

 **AVVERTENZA:** quando il piano di cottura è in funzione le parti accessibili della cappa possono diventare calde.

Installazione e collegamento

In caso di problemi, rivolgersi a un centro di assistenza autorizzato. Per prevenire eventuali danni, si consiglia di rimuovere l'apparecchio dall'imballaggio soltanto al momento dell'installazione.

Preparazione per l'installazione

 **AVVERTENZA:** questo apparecchio è pesante; la cappa deve essere sollevata e installata solo da due o più persone.

La distanza minima fra il piano di cottura e la parte inferiore della cappa non deve essere minore di 65 cm per i piani con bruciatori a gas o ad altri combustibili e di 50 cm per i fornelli elettrici. Prima dell'installazione controllare anche le distanze minime indicate nel manuale del piano di cottura. Se nelle istruzioni di installazione

del piano di cottura è specificata una distanza maggiore, occorre rispettare questa distanza.

Collegamenti elettrici

Controllare che la tensione indicata sulla targhetta del prodotto sia la stessa della rete elettrica.

Queste informazioni sono indicate all'interno della cappa, sotto il filtro antigrasso.

Il cavo di alimentazione (tipo H05 VV-F) deve essere sostituito soltanto da un elettricista autorizzato. Contattare un Centro Assistenza autorizzato.

⚠ AVVERTENZA: Se la cappa è provvista di spina, collegare l'apparecchio ad una presa conforme alle norme vigenti, posta in zona accessibile. Se non è provvista di spina (cablaggio diretto alla rete elettrica), o se la presa non è in una zona accessibile, installare un interruttore bipolare normalizzato che permetta un isolamento completo dalla rete in caso di sovratensione di categoria III, in conformità alle norme di cablaggio.

Utilizzo

La cappa è progettata per essere installata e utilizzata in modalità di "aspirazione" o di "ricircolo".

Versione aspirante (vedere il simbolo



nelle istruzioni per l'installazione)

Il vapore di cottura viene aspirato e convogliato al di fuori dell'abitazione attraverso un tubo di scarico (non in dotazione), collegato all'uscita del vapore della cappa.

Assicurarsi che il tubo di scarico sia montato correttamente nell'uscita dell'aria con un sistema di collegamento idoneo.

Importante: se già installato/i, rimuovere il/i filtro/i al carbone.

Versione a ricircolo d'aria



(vedere il simbolo nelle istruzioni per l'installazione)

L'aria viene filtrata attraverso uno o più filtri e poi convogliata nuovamente nel locale.

Importante: assicurarsi che vi sia una corretta circolazione dell'aria attorno alla cappa.

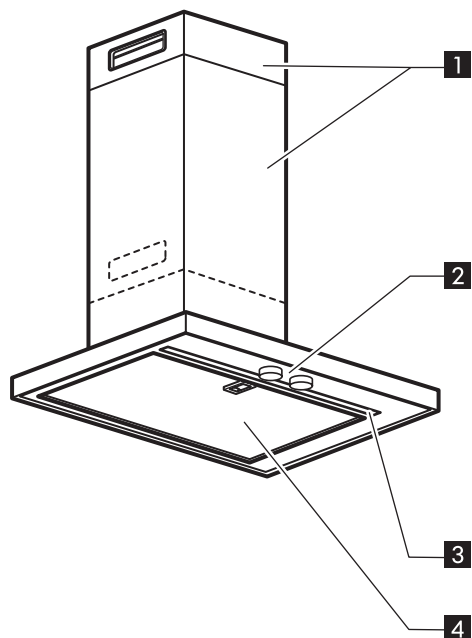
Importante: se la cappa non ha in dotazione i filtri al carbone, devono essere ordinati e montati prima dell'uso dell'apparecchio. I filtri sono disponibili nei negozi IKEA.

La cappa deve essere installata lontano da aree particolarmente sporche, finestre, porte e fonti di calore.

Gli accessori per il fissaggio alla parete non sono inclusi perché pareti di materiali diversi richiedono tipi diversi di accessori di fissaggio. Usa sistemi di fissaggio adatti alle pareti della tua casa e al peso dell'elettrodomestico. Per maggiori dettagli, rivolgiti a un rivenditore specializzato.

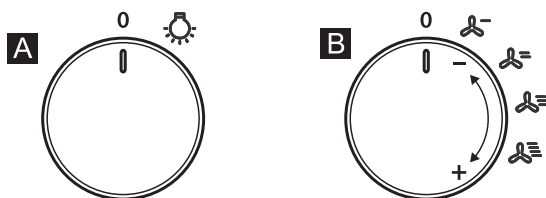
Conservare queste istruzioni per future consultazioni.

Descrizione dell'apparecchio



- 1** Camino
- 2** Pannello comandi
- 3** Lampada
- 4** Filtro antigrasso

Pannello comandi



A Manopola di accensione/spengimento dell'illuminazione

B Manopola di selezione della velocità (potenza) di aspirazione

0 spegnimento

Velocità (potenza) di aspirazione bassa

Velocità (potenza) di aspirazione media

Velocità (potenza) di aspirazione alta

Velocità (potenza) di aspirazione massima

Pulizia e manutenzione

AVVERTENZA

- Evitare l'uso di pulitrici a getto di vapore.
- Scollegare la cappa dall'alimentazione elettrica.

IMPORTANTE: non usare detergenti corrosivi o abrasivi. Se, inavvertitamente, uno di questi prodotti dovesse venire a contatto con l'apparecchio, pulirlo subito con un panno umido.

- Pulire le superfici con un panno umido. Se molto sporche, aggiungere all'acqua qualche goccia di detersivo per i piatti. Asciugare con un panno asciutto.

IMPORTANTE: non utilizzare spugne abrasive, pagliette o raschietti metallici. A lungo andare, possono rovinare la superficie.

- Usare detergenti specifici per la pulizia dell'apparecchio e seguire le istruzioni del produttore.

IMPORTANTE: pulire i filtri antigrasso almeno una volta al mese per rimuovere i residui di olio o grasso.

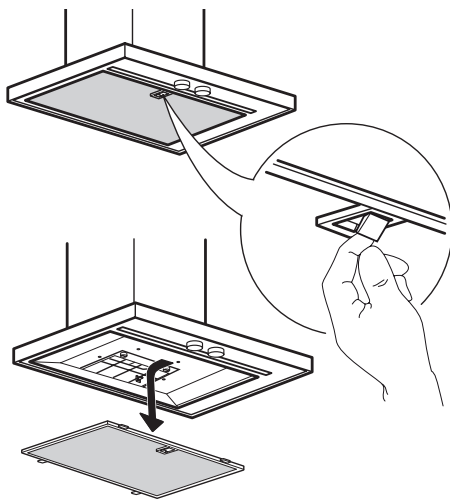
Per lavare il filtro antigrasso

Il filtro metallico antigrasso ha una durata illimitata e deve essere lavato una volta al mese a mano o in lavastoviglie a basse temperature e con un programma breve. Con il lavaggio in lavastoviglie il filtro antigrasso può scolorirsi leggermente,

ma le sue caratteristiche di filtraggio non cambiano assolutamente.

Manutenzione del filtro antigrasso:

1. Scollegare la cappa dalla rete elettrica.
2. Togliere i filtri antigrasso: tirare la maniglia di sgancio a molla, poi estrarre il filtro verso il basso.
3. Dopo aver lavato il filtro antigrasso procedere nel senso inverso per il montaggio assicurandosi che copra l'intera superficie di aspirazione.



Manutenzione filtro al carbone (se la cappa è installata in modalità a ricircolo d'aria)

1. Togliere la spina o staccare la corrente.
2. Rimuovere il filtro antigrasso come indicato nella sezione corrispondente.
3. Rimuovere l'alloggiamento del filtro al carbone.
4. Rimuovere/aggiungere il filtro al carbone.
5. Agganciare il filtro al carbone alla linguetta metallica nella parte posteriore della cappa.
6. Poi fissarlo nella parte anteriore con i due pomelli.
7. Rimontare il filtro antigrasso.

Diversamente dai filtri al carbone tradizionali, questo filtro al carbone può essere pulito e riattivato.

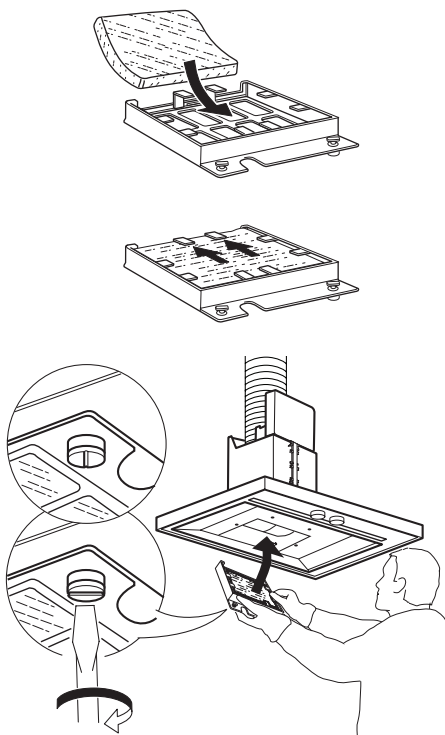
Con un uso normale della cappa, il filtro dovrebbe essere pulito una volta al mese. Il modo migliore di pulire il filtro al carbone è il lavaggio in lavastoviglie alla più alta temperatura, usando un normale detergente per lavastoviglie. Per evitare che particelle di cibo o sporco possano depositarsi sul filtro durante il lavaggio e causare cattivi odori in seguito, si consiglia di lavare il filtro da solo. Dopo il lavaggio, il filtro, per essere riattivato, deve essere asciugato in forno a 100° C per 10 minuti. Il filtro manterrà la sua capacità di assorbimento odori per tre anni, dopodiché dovrà essere sostituito.

Manutenzione delle lampadine

La cappa è dotata di un sistema di illuminazione a LED.

I LED garantiscono un'illuminazione ottimale, una durata fino a 10 volte superiore alle lampadine tradizionali e consentono un risparmio di energia elettrica del 90%.

Per la sostituzione, contattare il Centro Assistenza Autorizzato.



Cosa fare se ...

Problema	Possibile causa	Soluzione
L'apparecchio non funziona	Mancanza di alimentazione elettrica	Verificare la presenza di alimentazione elettrica. Spegnere e riavviare l'apparecchio per verificare se l'anomalia persiste.
	L'apparecchio non è collegato alla presa di alimentazione elettrica	Controllare se l'apparecchio è collegato all'alimentazione elettrica. Spegnere e riavviare l'apparecchio per verificare se l'anomalia persiste.
Il livello di aspirazione della cappa non è sufficiente	La velocità di aspirazione è troppo bassa	Controllare la velocità di aspirazione e, se necessario, regolarla.
	I filtri antigrasso sono sporchi. 4	Controllare se i filtri sono puliti. Se non lo sono, lavarli in lavastoviglie.
	I filtri antiodore sono sporchi.	Controllare che i filtri antiodore vengano lavati correttamente nelle modalità consigliate
	Le aperture di aspirazione dell'aria sono ostruite	Controllare se le aperture di aspirazione dell'aria sono prive di ostruzioni e, se presenti, rimuoverle.
The light does not work	Il LED è guasto. 3	Per la sostituzione, contattare il Centro Assistenza Autorizzato.

Prima di contattare il Centro Assistenza Autorizzato:

riavviare l'apparecchio per accertarsi che l'inconveniente sia stato ovviato. In caso contrario, spegnerlo nuovamente e ripetere l'operazione dopo un'ora.

Se, dopo aver eseguito i controlli elencati nella guida ricerca guasti e riaccesso l'apparecchio, l'apparecchio continua a non funzionare correttamente, contattare il Centro Assistenza Autorizzato, illustrando chiaramente il problema e comunicando:

- il tipo di difetto;
- il modello;
- il tipo e il numero di serie dell'apparecchio (riportati sulla targhetta);
- il codice di assistenza (la cifra che si trova dopo la parola SERVICE, sulla targhetta posta all'interno dell'apparecchio).

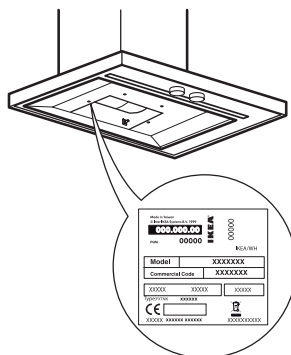
SERVICE 0000 000 00000



Dati tecnici

Tipo di apparecchio		Cappa a parete	
Dimensioni	Larghezza	mm	598
	Profondità	mm	458
	Altezza min.	mm	633
	Altezza max.	mm	1088
Potenza totale		W	217
Informazioni sulle lampadine	Tipo		LED
	Numero e potenza	W	1x7W
	Presca		strip led
Altezza minima di installazione - piano di cottura a gas		cm	65
Altezza minima di installazione - piano di cottura elettrico		cm	50
Peso dell'apparecchio		Kg	12,9
Scheda prodotto in conformità al regolamento delegato (UE) n. 65/2014 della Commissione			
Modello			MATÅLSKARE 90368800 MATÅLSKARE 60368806 MATÅLSKARE 10368804 MATÅLSKARE 30368803 MATÅLSKARE 40368807 MATÅLSKARE 10388977 MATÅLSKARE 70392325 MATÅLSKARE 00392197 MATÅLSKARE 60392137 MATÅLSKARE 20393964
Consumo energetico annuale	kWh/a		40,6
Fattore di aumento tempo			0,9
Efficienza fluidodinamica	%		29,3
Indice di efficienza energetica			51,7
Velocità del flusso d'aria misurato nel punto di migliore efficienza	m ³ /h		278,0
Pressione d'aria misurata nel punto di migliore efficienza	Pa		410,0
Flusso d'aria massimo	m ³ /h		510
Ingresso di potenza elettrica misurato nel punto di migliore efficienza	W		108,0
Potenza nominale del sistema di illuminazione	W		7
Illuminazione media del sistema di illuminazione sulla superficie di cottura	lux		203,0
Consumo di corrente in modalità Standby	W		NA
Consumo di corrente in modalità Off	W		NA
Livello di potenza sonora ponderata A a velocità massima	dB(A)		65

I dati tecnici sono riportati nella targhetta posta sul lato interno dell'apparecchio.



Consigli per la salvaguardia dell'ambiente


Il materiale di imballaggio

L'imballaggio è riciclabile al 100% ed è contrassegnato dal simbolo di riciclaggio .

Le diverse parti dell'imballaggio non devono quindi essere disperse nell'ambiente, ma smaltite in conformità alle norme stabilite dalle autorità locali.

Rottamazione dell'apparecchio

- Questo apparecchio è contrassegnato in conformità alla Direttiva Europea 2012/19/CE, Waste Electrical and Electronic Equipment (WEEE).
- Smaltendo questo prodotto in modo corretto si contribuirà a prevenire potenziali danni all'ambiente e alla salute.

Il simbolo  sul prodotto o sulla documentazione di accompagnamento, indica che questo prodotto non deve essere trattato come rifiuto domestico ma deve essere consegnato presso l'idoneo punto di raccolta per il riciclaggio di apparecchiature elettriche ed elettroniche.

Smaltimento elettrodomestici

- Questo prodotto è stato fabbricato con materiale riciclabile o riutilizzabile. Rottamarlo seguendo le normative locali per lo smaltimento dei rifiuti. Prima della rottamazione, renderlo inutilizzabile tagliando il cavo di alimentazione.
- Per ulteriori informazioni sul trattamento, recupero e riciclaggio di elettrodomestici, contattare l'ufficio locale competente, il servizio di raccolta dei rifiuti domestici o il negozio presso il quale il prodotto è stato acquistato.

Consigli per il risparmio energetico

- Accendere la cappa alla velocità minima quando si inizia a cucinare e mantenerla in funzione per alcuni minuti dopo aver terminato di cucinare.
- Aumentare la velocità solo in presenza di molto fumo e vapore e usare la/e velocità "Boost" solo in situazioni estreme.
- Sostituire il/i filtro/i al carbone quando necessario per mantenere una buona efficienza di riduzione degli odori.
- Pulire il/i filtro/i antigrasso quando necessario per mantenerne l'efficienza.
- Utilizzare un tubo dal diametro massimo indicato in questo manuale per ottimizzare l'efficienza e ridurre al minimo la rumorosità.

Dichiarazione di conformità

Questo apparecchio è stato progettato, fabbricato e commercializzato in conformità a:

- gli obiettivi di sicurezza della Direttiva "Bassa Tensione" 2014/35/EU (cessivi emendamenti);
- requisiti di ecodesign dei regolamenti europei n. 65/2014 e n. 66/2014 in conformità alla norma europea EN 61591;
- i requisiti di protezione della Direttiva "EMC" 2014/30/EU.

La sicurezza elettrica è garantita soltanto quando l'apparecchio è correttamente collegato ad un impianto di messa a terra a norma di legge.

GARANZIA IKEA

Quanto dura la garanzia IKEA?

Questa garanzia è valida per 5 (cinque) anni a partire dalla data di acquisto/consegna del tuo elettrodomestico presso un negozio IKEA. È necessario esibire lo scontrino originale come documento comprovante l'acquisto. Eventuali interventi di assistenza effettuati durante la garanzia non ne estenderanno la validità.

Elettrodomestici non coperti dalla garanzia IKEA di 5 (cinque) anni

La garanzia di 5 (cinque) anni è valida per tutti gli elettrodomestici "IKEA" acquistati a partire dal 1° Agosto 2007.

Chi fornisce il servizio?

Il servizio assistenza selezionato ed autorizzato da IKEA fornirà il servizio attraverso la propria rete di Partner di Assistenza autorizzati.

Cosa copre questa garanzia?

La garanzia copre i difetti dell'elettrodomestico causati da vizi di fabbricazione (difetto funzionale), a partire dalla data di acquisto/consegna dell'elettrodomestico. Questa garanzia è applicabile solo all'uso domestico. Le eccezioni sono descritte alla voce "Cosa non è coperto dalla garanzia?". Nel periodo di validità della garanzia, i costi di riparazione (pezzi di ricambio, manodopera e viaggi del personale tecnico) saranno sostenuti dal servizio assistenza, fermo restando che l'accesso all'apparecchiatura per l'intervento di riparazione non comporti spese particolari. Queste condizioni sono conformi alle direttive EU (No. 99/44/CE) e alle norme locali. I componenti sostituiti diventano proprietà di IKEA.

Come IKEA interverrà per risolvere il problema?

Il servizio assistenza incaricato da IKEA per l'esecuzione del servizio esaminerà il prodotto e deciderà, a propria esclusiva discrezione, se lo stesso rientra nella copertura della garanzia. Il Servizio Assistenza IKEA o il suo Partner di Assistenza autorizzato tramite

i rispettivi Centri di Assistenza, a propria esclusiva discrezione, riparerà il prodotto difettoso o provvederà a sostituirlo con un prodotto uguale o di pari valore.

Cosa non è coperto dalla garanzia?

- Normale usura
- Danni provocati deliberatamente, danni provocati dalla mancata osservanza delle istruzioni di funzionamento, da un'installazione non corretta o in seguito a collegamento a un voltaggio errato. Danni provocati da reazioni chimiche o elettrochimiche, ruggine, corrosione o danni causati da acqua, inclusi i danni causati dalla presenza di eccessivo calcare nelle condutture idriche. Danni causati da eventi atmosferici e naturali.
- Le parti soggette a consumo, incluse batterie e lampadine.
- Danni a parti non funzionali e decorative che non influiscono sul normale uso dell'elettrodomestico, inclusi graffi e differenze di colore.
- Danni accidentali causati da corpi o sostanze estranee e danni causati da pulizia o eliminazione di ostruzioni da filtri, sistemi di scarico o cassette del detersivo.
- Danni ai seguenti componenti: vetroceramica, accessori, cestelli per posate e stoviglie, tubi di alimentazione e drenaggio, guarnizioni, lampadine e copri lampadine, griglie, manopole, rivestimento e parti del rivestimento. A meno che si possa provare che tali danni siano stati causati da errori di fabbricazione.
- Casi in cui non vengono rilevati difetti funzionali durante la visita di un tecnico.
- Riparazioni non eseguite dal nostro Servizio Assistenza autorizzato e/o da un Partner di Assistenza contrattuale autorizzato o in caso di uso di ricambi non originali.
- Riparazioni causate da un'installazione non corretta o non conforme alle specifiche.
- Casi di uso improprio e/o non domestico dell'apparecchio, ad es. uso professionale.
- Danni da trasporto. Qualora sia il cliente a trasportare il prodotto alla propria

abitazione o ad altro indirizzo, IKEA non è responsabile per eventuali danni che potrebbero verificarsi durante il trasporto. In compenso, qualora sia IKEA ad effettuare il trasporto del prodotto all'indirizzo del cliente, eventuali danni occorsi al prodotto durante la consegna saranno coperti da IKEA.

- Costi inerenti la prima installazione dell'elettrodomestico IKEA. Tuttavia, qualora un fornitore di servizi IKEA o un suo partner autorizzato ripari o sostituisca l'apparecchio nei termini della presente garanzia, il fornitore o il partner autorizzato reinstalleranno l'apparecchio riparato o installeranno l'apparecchio in sostituzione, se necessario.

Tali restrizioni non valgono per regolari interventi svolti da personale tecnico qualificato con ricambi originali per adattare l'apparecchio alle disposizioni tecniche di sicurezza di un altro paese UE.

Applicazione delle leggi nazionali

Il cliente è titolare dei diritti previsti dal D. Lgs. n. 206/2005 e la presente garanzia IKEA di 5 (cinque) anni lascia impregiudicati tali diritti che rispondono o estendono i diritti minimi legali di ogni paese in termini di garanzia. Tali condizioni non limitano tuttavia in alcun modo i diritti del consumatore definiti dalle leggi locali.

Area di validità

Per gli elettrodomestici acquistati in una nazione EU e portati in un'altra nazione EU, i servizi saranno forniti in base alle condizioni di garanzia applicabili nel nuovo paese. L'obbligo di fornire il servizio in base alle condizioni della garanzia esiste solo se l'elettrodomestico è conforme ed è installato secondo:

- le specifiche tecniche del paese in cui viene richiesta l'applicazione della garanzia;
- le informazioni sulla sicurezza contenute nelle Istruzioni per il montaggio e nel Manuale dell'utente.

Il servizio ASSISTENZA dedicato per gli apparecchi IKEA

Non esitate a contattare il Centro Assistenza Autorizzato incaricato da IKEA per:

- richiedere assistenza tecnica nel periodo di garanzia
- richiedere chiarimenti sull'installazione degli elettrodomestici IKEA installati nelle cucine IKEA
- richiedere informazioni sul funzionamento degli elettrodomestici IKEA.

Per assicurarvi la migliore assistenza vi preghiamo di leggere attentamente le istruzioni di assemblaggio e/o il manuale di istruzioni del prodotto prima di contattarci.

Come contattarci se avete bisogno di assistenza



Siete pregati di contattare il numero del Centro Assistenza Autorizzato incaricato da IKEA riportato sull'ultima pagina di questo manuale.

- i** Al fine di garantirvi un servizio più veloce, vi suggeriamo di utilizzare i numeri di telefono riportati in questo manuale. Fate sempre riferimento ai numeri indicati nel manuale dell'apparecchiatura per la quale avete bisogno di assistenza. Vi suggeriamo di avere sempre a disposizione il codice IKEA (8 cifre) e il codice a 12 cifre riportati nell'etichetta del vostro prodotto.

- i** **CONSERVATE IL DOCUMENTO DI ACQUISTO/CONSEGNA!**

È la prova del vostro acquisto ed è necessario esibirlo affinché la garanzia sia valida. Sullo scontrino sono riportati anche il nome e il codice articolo IKEA (8 cifre) per ogni apparecchiatura acquistata.

Avete bisogno di ulteriore aiuto?

Per qualunque informazione non relativa all'assistenza vi preghiamo di far riferimento al Servizio Cliente del punto vendita IKEA di riferimento. Vi preghiamo di leggere attentamente la documentazione tecnica relativa all'elettrodomestico prima di contattarci.

BELGIË - BELGIQUE - BELGIEN

Telefoon/Numéro de téléphone/Telefon-Nummer:	026200311	
Tarief/Tarif/Tariff:	Lokaal tarief/Prix d'un appel local/Ortstarif	
Openingstijd:	Maandag - Vrijdag	8.00 - 20.00
Heures d'ouverture:	Lundi - Vendredi	8.00 - 20.00
Öffnungszeiten:	Montag - Freitag	8.00 - 20.00

БЪЛГАРИЯ

Телефонен номер:	02 4003536	
Тарифа:	Локална тарифа	
Работно време:	понеделник - петък	8.00 - 20.00

ČESKÁ REPUBLIKA

Telefonní číslo:	225376400	
Sazba:	Místní sazba	
Pracovní doba:	Pondělí - Pátek	8.00 - 20.00

DANMÅRK

Telefonnummer:	70150909	
Takst:	Lokal takst	
Åbningstid:	Mandag - fredag	9.00 - 20.00
	Lørdag	9.00 - 18.00
	(Åbent udvalgte søndage, se IKEA.dk)	

DEUTSCHLAND

Telefon-Nummer:	06929993602	
Tarif:	Ortstarif	
Öffnungszeiten:	Montag - Freitag	8.00 - 20.00

ΕΛΛΑΔΑ

Τηλεφωνικός αριθμός:	2109696497	
Χρέωση:	Τοπική χρέωση	
Ώρες λειτουργίας:	Δευτέρα - Παρασκευή	8.00 - 20.00

ESPAÑA

Teléfono:	913754126 (España Continental)	
Tarifa:	Tarifa local	
Horario:	Lunes - Viernes	8.00 - 20.00

EESTI

<http://www.ikea.com>

FRANCE

Numéro de téléphone:	0170480513	
Tarif:	Prix d'un appel local	
Heures d'ouverture:	Lundi - Vendredi	9.00 - 21.00

HRVATSKA

Broj telefona:	0800 3636	
Tarifa:	Lokalna tarifa	
Radno vrijeme:	Ponedjeljak - Petak	8.00 - 20.00

ÍSLAND

Símanúmer:	5852409	
Kostnaður við símtal:	Almennt mínútuverð	
Opnunartími:	Mánudaga - Föstudaga	9.00 - 17.00

ITALIA

Telefono:	0238591334	
Tariffa:	Tariffa locale	
Orari d'apertura:	Lunedì - Venerdì	8.00 - 20.00

LATVIJA

<http://www.ikea.com>

LIETUVIJA

Telefono numeris:	(0) 520 511 35	
Skambučio kaina:	Vietos mokestis	
Darbo laikas:	Nuo pirmadienio iki penktadienio	8.00 - 20.00

LUXEMBOURG

Numéro de téléphone:	035220882569	
Tarif:	Prix d'un appel local	
Heures d'ouverture:	Lundi - Vendredi	8.00 - 18.00

MAGYARORSZÁG

Telefon szám:	(06-1)-3285308	
Tarifa:	Helyi tarifa	
Nyitvatartási idő:	Hétfőtől Péntekig	8.00 - 20.00

NEDERLAND

Telefoon:	0900-235 45 32 en/of 0900 BEL IKEA	
	0031-50 316 8772 international	
Tarief:	Geen extra kosten. Alleen lokaal tarief.	
Openingstijd:	Maandag t/m - Vrijdag	8.00 - 21.00
	Zaterdag	9.00 - 21.00
	Zondag / Feestdagen	10.00 - 18.00

**NORGE**

Telefon nummer:	23500112	
Takst:	Lokal takst	
Åpningstider:	Mandag - fredag	8.00 - 20.00

ÖSTERREICH

Telefon-Nummer:	01360 2771461	
Tarif:	Ortstarif	
Öffnungszeiten:	Montag - Freitag	8.00 - 20.00

POLSKA

Numer telefonu:	225844203	
Stawka:	Koszt połączenia według taryfy operatora	
Godziny otwarcia:	Poniedziałek - Piątek	8.00-20.00

PORTUGAL

Telefone:	213164011	
Tarifa:	Tarifa local	
Horário:	Segunda - Sexta	9.00 - 21.00

REPUBLIC OF IRELAND

Phone number:	016590276	
Rate:	Local rate	
Opening hours:	Monday - Friday	8.00 - 20.00

ROMÂNIA

Număr de telefon:	021 2044888	
Tarif:	Tarif local	
Orar:	Luni - Vineri	8.00 - 20.00

РОССИЯ

Телефонный номер:	84957059426	
Стоимость звонка:	Местная стоимость звонка	
Время работы:	Понедельник - Пятница	9.00 - 21.00
	(Московское время)	

SCHWEIZ - SUISSE - SVIZZERA

Telefon-Nummer/Numéro de téléphone/Telefono:	0225675345	
Tarif/Tarif/Tariffa:	Ortstarif/Prix d'un appel local/Tariffa locale	
Öffnungszeiten:	Montag - Freitag	7.30-12.00/13.00-17.30
Heures d'ouverture:	Lundi - Vendredi	7.30-12.00/13.00-17.30
Orario d'apertura:	Lunedì - Venerdì	7.30-12.00/13.00-17.30

SLOVENSKO

Telefónne číslo:	(02) 50102658	
Cena za hovor:	Cena za miestny hovor	
Pracovná doba:	Pondelok až piatok	8.00 - 20.00

SLOVENIJA

<http://www.ikea.com>

SRBIJA

Број телефона:	011 7 555 444	
стопа:	lokalna курс	
Радно време:	Понедељак - субота	9.00 - 20.00
	недеља	9.00 - 18.00

SUOMI

Puhelinnumero:	0981710374	
Hinta:	Yksikköhinta	
Aukioloaika:	Maanantaista perjantaihin	8.00 - 20.00

SVERIGE

Telefon nummer:	0775-700 500	
Taxa:	Lokal samtal	
Öppet tider:	Måndag - Fredag	8.30 - 20.00
	Lördag - Söndag	9.30 - 18.00

UNITED KINGDOM

Phone number:	02076601517	
Rate:	Local rate	
Opening hours:	Monday - Friday	8.30am - 6.30pm
	Saturday	8.30am - 5.30pm
	Sunday	9.30am - 3.30pm

