

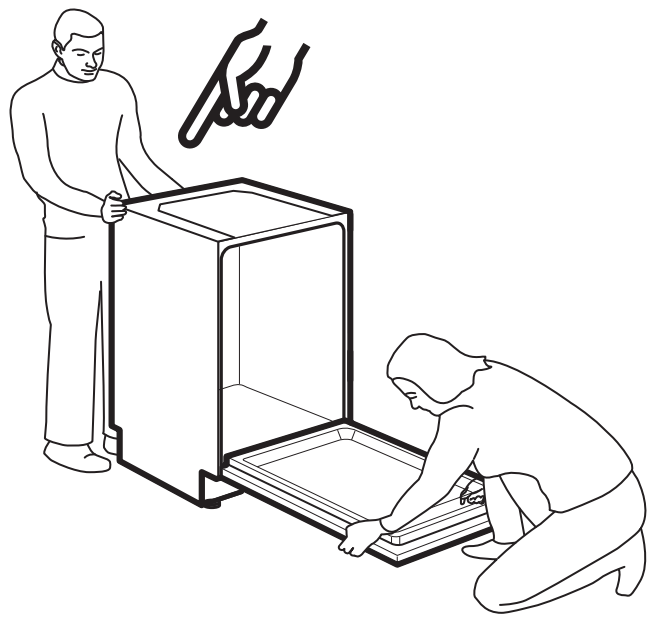
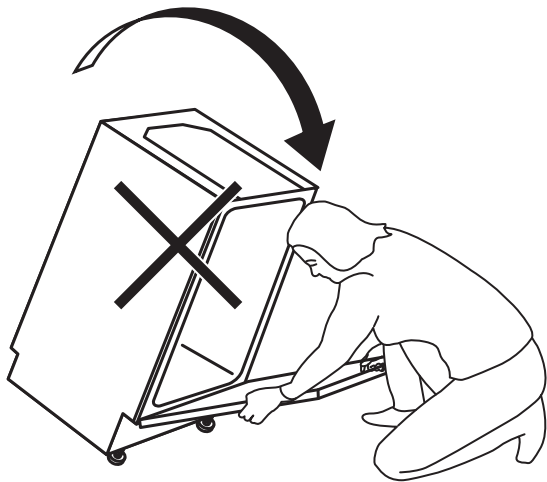
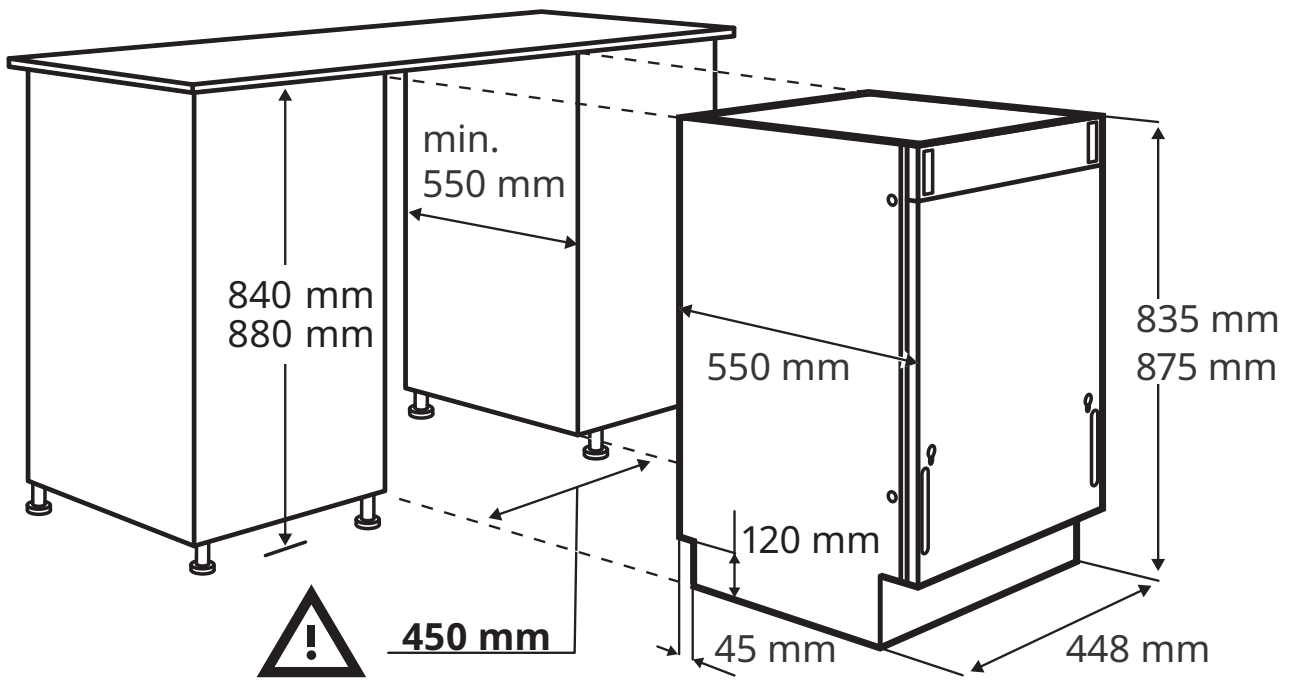
FRÖSLUNDA

en
de
fr
it



Design and Quality
IKEA of Sweden

ENGLISH	5
DEUTSCH	12
FRANÇAIS	21
ITALIANO	29



Safety Information

Before the installation and use of the appliance, carefully read the supplied instructions. The manufacturer is not responsible for any injuries or damage that are the result of incorrect installation or usage. Always keep the instructions in a safe and accessible location for future reference.

SAFETY WARNINGS

⚠ This appliance can be used by children aged from 8 years and above and persons with reduced physical, sensory or mental capabilities or lack of experience and knowledge if they have been given supervision or instruction concerning the use of the appliance in a safe way and understand the hazards involved. Children of less than 8 years of age and persons with very extensive and complex disabilities shall be kept away from the appliance unless continuously supervised. Do not let children play with the appliance. Keep children and pets away from the appliance when the door is open. Children shall not carry out cleaning and user maintenance of the appliance without supervision. Keep detergents away from children.

⚠ WARNING: Knives and other utensils with sharp points must be loaded in the basket with their points down or placed in a horizontal position.

⚠ WARNING: Do not leave the appliance with the open door unattended to avoid stepping accidentally onto it.

⚠ This appliance is intended to be used in household and similar applications such as: staff kitchen areas in shops, offices and other working environments; farm houses; by clients in hotels, motels, bed & breakfast and other residential type environments.

⚠ Do not change the specification of this appliance.

⚠ The operating water pressure (minimum and maximum) must be between 0.4 (0.04)/10 (1.0) bar (MPa).

⚠ Follow the maximum number of 10 place settings.

⚠ The appliance is to be connected to the water mains using the new supplied hose-sets.

Old hose sets must not be reused.

⚠ Before any maintenance operation, deactivate the appliance and disconnect the mains plug from the socket.

⚠ If the supply cord is damaged, it must be replaced by the manufacturer, the Authorised Service Centre or similarly qualified persons in order to avoid a hazard.

⚠ Make sure that there is access to the mains plug after the installation.

⚠ If the appliance has ventilation openings in the base, they must not be covered e.g. by a carpet.

⚠ Do not use high pressure water sprays or steam to clean the appliance.

Permitted use

⚠ Do not use the appliance outdoors.

⚠ Do not remove the dishes from the appliance until the programme is complete. Some detergent may remain on the dishes.

⚠ Do not store items or apply pressure on the open door of the appliance.

⚠ Do not put flammable products or items that are wet with flammable products in, near or on the appliance.

⚠ Do not drink and play with the water in the appliance.

⚠ The appliance can release hot steam if you open the door while a programme operates.

Safety instructions

Installation

- ⚠ **Warning!** Only a qualified person can install this appliance. 2 people are needed for the installation.
- Remove all the packaging and the transit bolts.
- Do not install or use a damaged appliance.
- Do not install or use the appliance where the temperature is less than 0 °C.
- Follow the installation instruction supplied with the appliance.
- Always take care when moving the appliance as it is heavy. Always use safety gloves and enclosed footwear.
- Make sure that the appliance is installed below and adjacent to safe structures.
- ⚠ **Warning!** Do not use the appliance before installing it in the built in structure. The appliance must be disconnected from the power supply before any installation work is done – risk of electric shock.

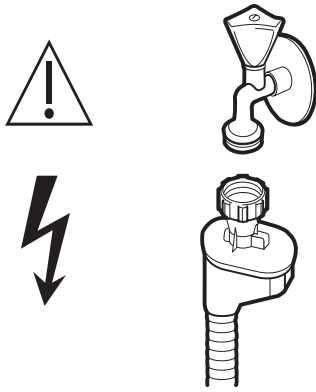
Electrical connection

- ⚠ **Warning!** Risk of fire and electrical shock.
- ⚠ **Warning!** When positioning the appliance, ensure the supply cord is not trapped or damaged.
- ⚠ **Warning!** Do not use multi-plug adapters and extension cables.
- ⚠ **Warning!** Do not, under any circumstances, cut, remove, or bypass the grounding prong.

- The appliance must be earthed.
- Make sure that the parameters on the rating plate are compatible with the electrical ratings of the mains power supply.
- Always use a correctly installed shockproof socket.
- Make sure not to cause damage to the electrical components (e.g. mains plug, mains cable). Contact the Authorised Service Centre to change the electrical components.
- Connect the mains plug to the mains socket only at the end of the installation. Make sure that there is access to the mains plug after the installation.
- Do not pull the mains cable to disconnect the appliance. Always pull the mains plug.
- This appliance complies with the E.E.C. Directives.
- UK and Ireland only: This appliance is fitted with a 13 A mains plug. If it is necessary to change the mains plug fuse, use only a 13 A ASTA (BS 1362) fuse.

Water connection

- Do not cause damage to the water hoses.
- Before connection to new pipes, pipes not used for a long time, where repair work has been carried out or new devices fitted (water meters, etc.), let the water flow until it is clean and clear.
- Ensure that there are no visible water leaks during and after the first use of the appliance.
- The water inlet hose has a safety valve and a sheath with an inner mains cable.



⚠ Warning! Dangerous voltage.

- If the water inlet hose is damaged, immediately close the water tap and disconnect the mains plug from the mains socket. Contact the Authorised Service Centre to replace the water inlet hose.

⚠ Warning! Risk of injury, burns, electrical shock or fire.

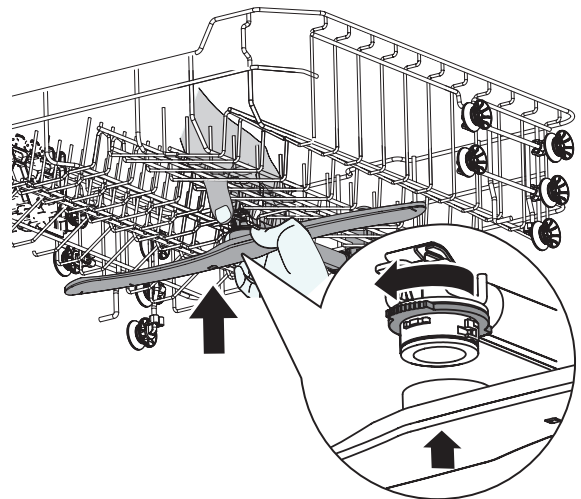
- Never use soap, laundry detergent, or hand washing detergent in your dishwasher.
- Dishwasher detergent is corrosive! Keep dishwasher detergent out of the reach of children.
- Do not drink and play with the water in the appliance.

Care and cleaning

⚠ Warning! Before maintenance, deactivate the appliance and disconnect the mains plug from the main socket.

ⓘ Dirty filters and clogged spray arms decrease the washing results. Make a check regularly and, if necessary, clean them.

1. Rinse the upper and lower spray arms under running water. Use a thin pointed tool (e.g. a toothpick) to remove particles of soil from the holes of the arm sprays.
2. After cleaning, replace the arm sprays. To attach the upper spray arm to the upper basket, align the center position of the upper spray arm with the nut then turn it clockwise to tighten.



To attach the lower arm spray to the bottom of the appliance, insert the lower arm spray into position.

- Dishwasher detergent is corrosive! Keep dishwasher detergent out of the reach of children.
- Do not remove the dishes from the appliance until the programme is complete. Some detergent may remain on the dishes.
- The appliance can release hot steam if you open the door while a programme operates.
- Do not put flammable products or items that are wet with flammable products in, near or on the appliance.

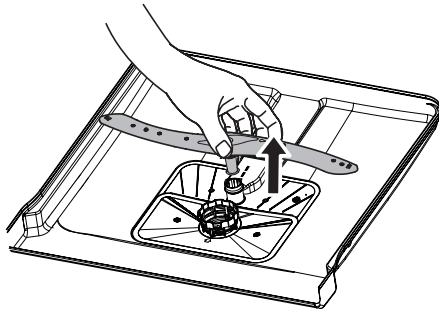
Service

- To repair the appliance contact an Authorised Service Centre.
- Use original spare parts only.

Disposal

Warning! Risk of injury or suffocation.

- Disconnect the appliance from the mains supply.
- Cut off the mains cable and discard it.
- Remove the door to prevent children and pets to be closed inside of the appliance.



External cleaning

- Clean the appliance with a moist soft cloth.
- Only use neutral detergents.
- Do not use abrasive products, abrasive cleaning pads or solvents.

Internal cleaning

- Carefully clean the appliance, including the rubber gasket of the door, with a soft damp cloth.
- To maintain the performance of your appliance, use a cleaning product designed specifically for dishwashers at least once a month. Carefully follow the instructions on the packaging of the product.
- Do not use abrasive products, abrasive cleaning pads, sharp tools, strong chemicals, scourer or solvents.
- Using short-duration programmes regularly can cause grease and limescale buildup inside the appliance.

Run long-duration programmes at least twice a month to prevent the buildup.


Environmental concerns

SAFETY WARNINGS


⚠ Dishwasher detergents are dangerous. Follow the safety instructions on the detergent packaging.

⚠ Disconnect the appliance from the mains supply. Cut off the mains cable close to the appliance and dispose of it. Remove the door catch to prevent children and pets to get closed in the appliance.

DISPOSAL OF PACKAGING MATERIALS

Recycle materials with the symbol . Put the packaging in relevant containers to recycle it.

SCRAPPING OF HOUSEHOLD APPLIANCES

This appliance is manufactured with recyclable or reusable materials. It is prohibited to dispose of equipment marked with the symbol  along with household waste. Return the item to the local retailer in line with local legislation, collection point, or contact the competent municipal authorities to find out more.

In order to preserve resources, ensure that discarded Electrical and Electronic Equipment, parts or materials are re-used or recycled according to the EU Directive on Waste of Electrical and Electronic Equipment 2012/19/EU.

Some materials and substances in some discarded EEE can potentially have a negative impact on the environment and human health. This product does not contain hazardous substances as specified by the EU Directive on the Restriction of the use of certain Hazardous Substances in Electrical and Electronic Equipment 2011/65/EU and its amendments; however, it may contain Substances of Very High Concern (SVHC) according to REACH Regulation EC No 1907/2006.

SERVICE AND SPARE PARTS

⚠ To repair the appliance contact the Authorised Service Centre. Use original spare parts only. Please note that self-repair or non-professional repair can have safety consequences and might void the guarantee.

The following spare parts will be available for 7 years after the model has been discontinued: motor, circulation and drain pump, heaters and heating elements, including heat pumps, piping and related equipment including hoses, valves, filters and aquastops, structural and interior parts related to door assemblies, printed circuit boards, electronic displays, pressure switches, thermostats and sensors, software and firmware including reset software. Please note that some of these spare parts are only available to professional repairers, and that not all spare parts are relevant for all models.

The following spare parts will be available for 10 years after the model has been discontinued: door hinge and seals, other seals, spray arms, drain filters, interior racks and plastic peripherals such as baskets and lids.

ENERGY SAVING TIPS

Washing dishes in the dishwasher as instructed in the user manual usually

consumes less water and energy than washing dishes by hand. Load the dishwasher to its full capacity to save water and energy. For best cleaning results, arrange items in the baskets as instructed in the user manual and do not overload the baskets.

Do not pre-rinse dishes by hand. It increases the water and energy consumption. When needed, select a programme with a prewash phase. Remove larger residues of food from the dishes and empty cups and glasses before putting them inside the appliance. Soak or slightly scour cookware with firmly cooked-on or baked-on food before washing it in the appliance.

Make sure that items in the baskets do not touch or cover each other. Only then can the water completely reach and wash the dishes.

Select a programme according to the type of load and the degree of soil. ECO offers the most efficient use of water and energy consumption.

IKEA guarantee

How long is the IKEA guarantee valid?

This guarantee is valid for 5 years from purchase date. The original sales receipt is required as proof of purchase. If service work is carried out under guarantee, this will not extend the guarantee period for the appliance.

Who will execute the service?

IKEA service provider will provide the service through its own service operations or authorized service partner network.

What does this guarantee cover?

The guarantee covers faults of the appliance, which have been caused by faulty construction or material faults from the date of purchase from IKEA. This guarantee applies to domestic use only. The exceptions are specified under the headline "What is not covered under this guarantee?" Within the guarantee period, the costs to remedy the fault e.g. repairs, parts, labour and travel will be covered, provided that the appliance is accessible for repair without special expenditure. On these conditions the EU guidelines (Nr. 99/44/EG) and the respective local regulations are applicable. Replaced parts become the property of IKEA.

What will IKEA do to correct the problem?

IKEA appointed Service Provider will examine the product and decide, at its sole discretion, if it is covered under this guarantee. If considered covered, IKEA Service Provider or its authorized service partner through its own service operations, will then, at its sole discretion, either repair the defective product or replace it with the same or a comparable product.

What is not covered under this guarantee?

- Normal wear and tear.
- Deliberate or negligent damage, damage caused by failure to observe operating instructions, incorrect installation or by connection to the wrong voltage, damage caused by chemical or electro-chemical reaction, rust, corrosion or water damage including but not limited to damage caused by excessive lime in the water supply, damage caused by abnormal environmental conditions.
- Consumable parts including batteries and lamps.
- Non-functional and decorative parts which do not affect normal use of the appliance, including any scratches and possible color differences.
- Accidental damage caused by foreign objects or substances and cleaning or unblocking of filters, drainage systems or soap drawers.
- Damage to the following parts: ceramic glass, accessories, crockery and cutlery baskets, feed and drainage pipes, seals, lamps and lamp covers, screens, knobs, casings and parts of casings. Unless such damages can be proved to have been caused by production faults.
- Cases where no fault could be found during a technician's visit.
- Repairs not carried out by our appointed service providers and/or an authorized service contractual partner or where non-original parts have been used.
- Repairs caused by installation which is faulty or not according to specification.
- The use of the appliance in a non-domestic environment i.e. professional use.
- Transportation damages. If a customer transports the product to their home or other address, IKEA is not liable for any damage that may occur during transport. However, if IKEA delivers the product to the customer's delivery address, then damage to the product that occurs during this delivery will be covered by this guarantee.
- Cost for carrying out the initial installation of the IKEA appliance. However, if an IKEA service provider or its authorized service partner repairs or replaces the appliance under the terms of this guarantee, the service provider or its authorized service partner will re-install the repaired appliance or install the replacement, if necessary.

This restriction do not apply to fault-free work carried out by a qualified specialist using our original parts in order to adapt the appliance to the technical safety specifications of another EU country.

How country law applies

The IKEA guarantee gives you specific legal rights, which covers or exceed local demands. However these conditions do not limit in any way consumer rights described in the local legislation.

Area of validity

For appliances which are purchased in one EU country and taken to another EU country, the services will be provided in the framework of the guarantee conditions normal in the new country.

An obligation to carry out services in the framework of the guarantee exists only if the appliance complies and is installed in accordance with:

- the technical specifications of the country in which the guarantee claim is made;
- the Assembly Instructions and User Manual Safety Information.

The dedicated After Sales Service for IKEA appliances:

Please do not hesitate to contact IKEA After Sales Service to:

1. make a service request under this guarantee;
2. ask for clarification on installation of the IKEA appliance in the dedicated IKEA kitchen furniture. The service won't provide clarifications related to:
 - the overall IKEA kitchen installation;
 - connections to electricity (if machine comes without plug and cable), to water and to gas since they have to be executed by an authorized service engineer.
3. ask for clarification on user manual contents and specifications of the IKEA appliance.

To ensure that we provide you with the best assistance, please read carefully the Assembly Instructions and/or the User Manual section of this booklet before contacting us.

How to reach us if you need our service



Please refer to the last page of this manual for the full list of IKEA appointed contacts and relative national phone numbers.

- i** In order to provide you with a quicker service, we recommend that you use the specific phone numbers listed at the end of this manual. Always refer to the numbers listed in the booklet of the specific appliance you need an assistance for. Before calling us, assure that you have to hand the IKEA article number (8 digit code) and the Serial Number (8 digit code that can be found on the rating plate) for the appliance of which you need our assistance.

- i** **SAVE THE SALES RECEIPT!** It is your proof of purchase and required for the guarantee to apply. Note that the receipt reports also the IKEA article name and number (8 digit code) for each of the appliances you have purchased.

Do you need extra help?

For any additional questions not related to After Sales of your appliances, please contact our nearest IKEA store call centre. We recommend you read the appliance documentation carefully before contacting us.

Sicherheitshinweise

Lesen Sie vor der Installation und der Benutzung des Geräts die mitgelieferte Bedienungsanleitung gründlich durch. Der Hersteller ist nicht für Verletzungen oder Schäden verantwortlich, die die Folge einer fehlerhaften Installation oder nicht ordnungsgemäßen Benutzung sind. Bewahren Sie die Bedienungsanleitung für zukünftiges Nachschlagen immer an einem sicheren und zugänglichen Ort auf.

SICHERHEITSHINWEISE

⚠ Dieses Gerät ist für den Gebrauch durch Kinder ab 8 Jahren und Personen mit eingeschränkten körperlichen, sensorischen oder geistigen Fähigkeiten oder einem Mangel an Erfahrung und Kenntnissen geeignet, sofern sie unter Aufsicht stehen oder Anweisungen hinsichtlich der sicheren Verwendung des Produkts erhalten haben und mit den damit verbundenen Gefahren vertraut sind. Kinder unter 8 Jahren und Personen mit sehr schwerwiegenden und komplexen Behinderungen müssen von dem Gerät ferngehalten werden, es sei denn, sie werden ständig beaufsichtigt. Lassen Sie Kinder nicht mit dem Gerät spielen. Halten Sie Kinder und Haustiere von dem Gerät fern, wenn die Tür geöffnet ist. Kinder dürfen Reinigung und Pflege des Geräts nicht ohne Aufsicht durchführen. Halten Sie Geschirrspülmittel und andere Reinigungsmittel von Kindern fern.

⚠ WARNUNG: Messer und andere Utensilien mit scharfen Spitzen sind stets mit der Spitze nach unten oder in horizontaler Lage in den Korb zu legen.

⚠ WARNUNG: Lassen Sie das Gerät mit geöffneter Tür nicht unbeaufsichtigt, um ein versehentliches Drauftreten zu vermeiden.

⚠ Dieses Gerät ist für den Haushaltsgebrauch und ähnliche Anwendungsbereiche bestimmt, wie zum Beispiel für die Verwendung: in Personalküchen von Geschäften, Büros und anderen Arbeitsumgebungen, Bauernhäusern und von Kunden in Hotels, Motels, Bed & Breakfast-Einrichtungen und anderen Wohnumgebungen.

⚠ Nehmen Sie keinerlei Änderungen an den Spezifikationen des Geräts vor.

⚠ Der Betriebswasserdruck muss mindestens 0,4 bar (0,04 MPa) und darf höchstens 10 bar (1,0 MPa) betragen.

⚠ Achten Sie darauf, die maximale Anzahl von 10 Maßgedecken nicht zu überschreiten.

⚠ Das Gerät ist über die neuen mitgelieferten Schläuche an die Wasserversorgung anzuschließen. Alte Schläuche dürfen nicht wiederverwendet werden.

⚠ Schalten Sie vor der Durchführung etwaiger Wartungsarbeiten das Gerät stets aus und trennen Sie es von der Netzsteckdose.

⚠ Sollte das Netzkabel Beschädigungen aufweisen, ist es vom Hersteller, seinem Kundendienstvertreter oder einer ähnlich qualifizierten Person umgehend zu ersetzen, um Gefahren vorzubeugen.

⚠ Vergewissern Sie sich, dass der Netzstecker nach dem Anschließen weiterhin zugänglich ist.

⚠ Sollten sich im Sockel des Geräts Lüftungsöffnungen befinden, dürfen diese nicht verdeckt oder blockiert werden (z. B. durch einen Teppich).

⚠ Verwenden Sie zum Reinigen des Geräts weder Hochdruckreiniger noch Dampf.

Hinweise zum sicheren Betrieb

- ⚠ Verwenden Sie das Gerät nicht im Freien.
- ⚠ Nehmen Sie das Geschirr erst dann aus dem Gerät, wenn das Programm beendet ist. Etwas Geschirrspülmittel kann auf dem Geschirr zurückbleiben.
- ⚠ Sehen Sie davon ab, Gegenstände auf der geöffneten Tür des Geräts abzustellen/ abzulegen oder Druck auf sie auszuüben.
- ⚠ Legen/Stellen Sie keine entflammaren Produkte oder mit entflammaren Produkten benetzte/getränkte Gegenstände in, in die Nähe oder auf das Produkt.
- ⚠ Trinken und spielen Sie nicht mit dem Wasser im Gerät.
- ⚠ Aus dem Gerät kann heißer Dampf entweichen, wenn Sie die Gerätetür öffnen, während ein Programm läuft.

Sicherheitsanweisungen

Installation

- ⚠ **Warnung!** Nur eine qualifizierte Person darf dieses Gerät installieren. Für Arbeiten dieser Art sind mindestens zwei Personen erforderlich.
- Entfernen Sie alle Verpackungsmaterialien und die Transportsicherungsbolzen.
- Installieren und benutzen Sie kein beschädigtes Gerät.
- Installieren oder benutzen Sie das Gerät nicht an Orten, an denen die Temperatur unter 0 °C liegt.
- Befolgen Sie die mitgelieferte Installationsanleitung.
- Seien Sie stets vorsichtig, wenn Sie das Gerät bewegen, denn es ist schwer. Tragen Sie stets Sicherheitshandschuhe und geschlossenes Schuhwerk.
- Vergewissern Sie sich, dass das Gerät unter und neben sicheren Strukturen installiert wird.
- ⚠ **Warnung!** Verwenden Sie das Gerät erst, wenn es ordnungsgemäß eingebaut ist. Trennen Sie das Gerät vor der Durchführung etwaiger Installationsarbeiten von der Netzstromversorgung, um die Gefahr eines elektrischen Schlags auszuschließen.

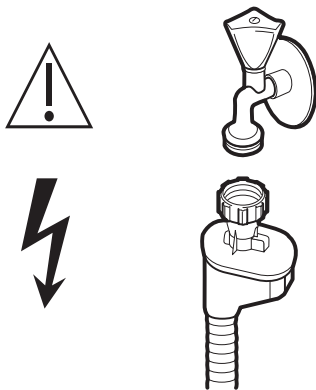
Elektrischer Anschluss

- ⚠ **Warnung!** Brand- und Stromschlaggefahr.
- ⚠ **Warnung!** Vergewissern Sie sich beim Aufstellen des Geräts, dass das Netzkabel weder eingeklemmt noch beschädigt ist.
- ⚠ **Warnung!** Verwenden Sie keine Mehrfachsteckdosen oder Verlängerungskabel.
- ⚠ **Warnung!** Entfernen, umgehen oder trennen Sie unter keinen Umständen den Erdungsstift.
 - Das Gerät muss geerdet sein.
 - Achten Sie darauf, dass die Parameter auf dem Typenschild mit den elektrischen Nennwerten der Netzstromversorgung übereinstimmen.
 - Benutzen Sie ausschließlich ordnungsgemäß installierte Schutzkontaktsteckdosen.
 - Vergewissern Sie sich, dass keine elektrischen Komponenten (z. B. Netzstecker, Netzkabel) beschädigt werden. Setzen Sie sich für eine Änderung elektrischer Komponenten an ein autorisiertes Kundendienstzentrum.
 - Stecken Sie den Netzstecker erst nach abgeschlossener Installation in die Steckdose. Vergewissern Sie sich, dass der Netzstecker nach dem Anschließen weiterhin zugänglich ist.

- Ziehen Sie nicht am Netzkabel, um das Gerät vom Stromnetz zu trennen. Ziehen Sie immer am Netzstecker.
- Dieses Gerät erfüllt die Anforderungen der EEC-Richtlinien.
- Nur Vereinigtes Königreich und Irland: Dieses Gerät ist mit einem 13-A-Netzstecker ausgerüstet. Sollte die Sicherung des Netzsteckers durch eine neue ersetzt werden müssen, greifen Sie ausschließlich auf 13-A-Sicherungen des Typs ASTA (BS 1362) zurück.

Wasseranschluss

- Beschädigen Sie die Wasserschläuche nicht.
- Lassen Sie vor dem Anschluss an neue Leitungen, lange nicht benutzte Leitungen, an denen Reparaturarbeiten durchgeführt oder wo neue Geräte (Wasserzähler usw.) eingebaut wurden, das Wasser so lange fließen, bis es sauber und klar ist.
- Vergewissern Sie sich, dass während und nach der Erstinbetriebnahme des Geräts keine sichtbaren Wasserlecks auftreten.
- Der Wasserzulaufschlauch besitzt ein Entlastungsventil und eine Ummantelung mit einem innenliegenden Netzkabel.



⚠ **Warnung!** Gefährliche Spannung.

- Drehen Sie umgehend den Wasserhahn der Wasserversorgung zu und ziehen Sie den Netzstecker aus der Netzsteckdose, wenn der Wasserzulaufschlauch beschädigt ist. Setzen Sie sich mit einem autorisierten Kundendienstzentrum in Verbindung, um den Wasserzulaufschlauch austauschen zu lassen.

⚠ **Warnung!** Verletzungs-, Verbrennungs-, Brand- und Stromschlaggefahr.

- Benutzen Sie in Ihrem Geschirrspüler niemals Seife, Waschmittel oder Handwaschmittel.
- Geschirrspülmittel ist ätzend! Bewahren Sie Geschirrspülmittel außerhalb der Reichweite von Kindern auf.
- Trinken und spielen Sie nicht mit dem Wasser im Gerät.
- Geschirrspülmittel ist ätzend! Bewahren Sie Geschirrspülmittel außerhalb der Reichweite von Kindern auf.
- Nehmen Sie das Geschirr erst dann aus dem Gerät, wenn das Programm beendet ist. Etwas Geschirrspülmittel kann auf dem Geschirr zurückbleiben.
- Aus dem Gerät kann heißer Dampf entweichen, wenn Sie die Gerätetür öffnen, während ein Programm läuft.
- Legen/Stellen Sie keine entflammaren Produkte oder mit entflammaren Produkten benetzte/getränkte Gegenstände in, in die Nähe oder auf das Produkt.

Reparaturen

- Setzen Sie sich für Reparaturen des Geräts mit einem autorisierten Kundendienst in Verbindung.
- Verwenden Sie nur Originalersatzteile.

Entsorgung

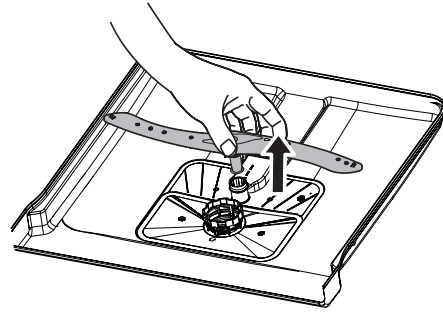
Warnung! Verletzungs- und Erstickungsgefahr.

- Trennen Sie das Gerät vom Stromnetz.
- Schneiden Sie das Netzkabel ab und entsorgen Sie es.
- Demontieren Sie die Tür, um zu verhindern, dass Kinder oder Haustiere im Gerät eingeschlossen werden.

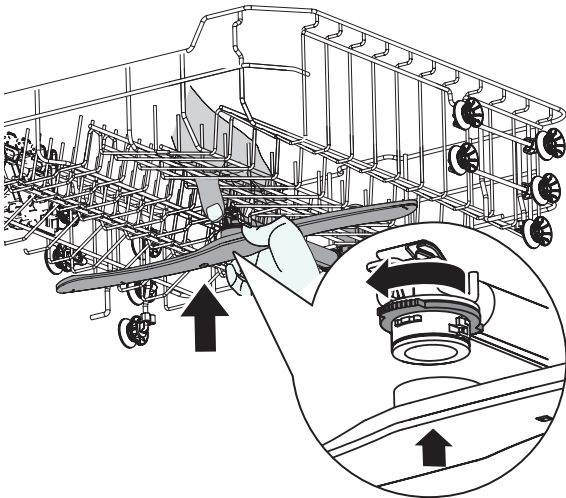
Reinigung und Pflege

⚠ Warnung! Schalten Sie vor
Wartungsarbeiten das Gerät aus und
ziehen Sie den Netzstecker.

ⓘ Verschmutzte Filter und verstopfte
Sprüharme verschlechtern das
Reinigungsergebnis. Kontrollieren Sie sie
regelmäßig und reinigen Sie sie bei Bedarf.



1. Spülen Sie den oberen und unteren
Sprüharm unter fließendem Wasser ab.
Verwenden Sie ein dünnes spitzes
Werkzeug (z. B. einen Zahnstocher),
um Schmutzpartikel aus den Düsen der
Sprüharme zu entfernen.
2. Nach der Reinigung setzen Sie die
Sprüharme wieder ein.
Um den oberen Sprüharm am oberen
Korb zu befestigen, richten Sie die
Mittelposition des oberen Sprüharms
an der Mutter aus und drehen Sie sie im
Uhrzeigersinn, um sie festzuziehen.



Um den unteren Sprüharm an der Unterseite
des Geräts zu befestigen, setzen Sie ihn
einfach ein.

Gerätegehäuse außen reinigen

- Reinigen Sie das Gerät mit einem feuchten
weichen Tuch.
- Verwenden Sie ausschließlich neutrale
Reinigungsmittel.
- Verwenden Sie keine Scheuermittel,
scheuernde Reinigungspads oder
Lösungsmittel.


Reinigen des Innenraums


- Reinigen Sie das Gerät, einschließlich der
Gummidichtung der Tür, vorsichtig mit
einem weichen, feuchten Tuch.
- Um die Leistung Ihres Geräts zu
erhalten, verwenden Sie mindestens
einmal im Monat ein speziell für
Geschirrspülmaschinen entwickeltes
Reinigungsmittel. Befolgen Sie
aufmerksam die Anleitungen auf der
Verpackung des Produkts.
- Verwenden Sie keine scheuernden
Produkte, scheuernde Reinigungspads,
scharfe Werkzeuge, starke Chemikalien,
Scheuermittel oder Lösungsmittel.
- Die regelmäßige Verwendung von
Kurzprogrammen kann zu Fett- und
Kalkablagerungen im Inneren des Geräts
führen.

Führen Sie lange Programme mindestens
zweimal im Monat durch, um diese
Ablagerungen zu verhindern.


Hinweise zum Umweltschutz

SICHERHEITSHINWEISE


 Geschirrspülmittel sind gefährlich. Befolgen Sie stets die sich auf der Verpackung des Geschirrspülmittels befindlichen Sicherheitshinweise.

 Trennen Sie das Gerät vom Stromnetz. Trennen Sie das Netzkabel nahe am Gerät ab und entsorgen Sie es ordnungsgemäß. Demontieren Sie die Gerätetür, um zu verhindern, dass Kinder oder Haustiere im Inneren des Geräts eingeschlossen werden.

ENTSORGUNG VON VERPACKUNGSMATERIALIEN

Recyceln Sie mit dem Symbol  gekennzeichnete Materialien. Geben Sie die Verpackung in einen entsprechenden Container, um sie zu recyceln.

ENTSORGUNG VON HAUSHALTSGERÄTEN


Dieses Gerät wurde aus recycelbaren oder wiederverwendbaren Werkstoffen gefertigt. Das Entsorgen von mit dem -Symbol gekennzeichneten Geräten im Hausmüll ist nicht gestattet. Bringen Sie es stattdessen unter Berücksichtigung der für Sie geltenden Gesetze und Rechtsvorschriften zu Ihrem örtlichen Einzelhändler, einer entsprechend ausgewiesenen Sammelstelle oder wenden Sie sich für weitere Informationen an die zuständigen kommunalen Behörden.

Sorgen Sie dafür, dass ausrangierte Elektro- und Elektronikgeräte sowie deren Komponenten und Werkstoffe im Einklang mit der EU-Richtlinie 2012/19/EU für Elektro- und Elektronik-Altgeräte wiederverwendet oder wiederverwertet werden, um Ihren Beitrag für das Schonen von Ressourcen zu leisten.

Einige der in Elektro- und Elektronik-Altgeräten enthaltenen Materialien und Stoffe können potenziell negative Auswirkungen auf die Umwelt und die menschliche Gesundheit haben. Dieses Produkt enthält im Sinne der EU-Richtlinie

2011/65/EU zur Beschränkung der Verwendung bestimmter gefährlicher Stoffe in Elektro- und Elektronikgeräten und sämtlichen dazugehörigen Änderungen keine gefährlichen Stoffe. Davon unberücksichtigt bleiben jedoch gemäß der REACH-Verordnung (EG) Nr. 1907/2006 jegliche besonders besorgniserregende Stoffe (SVHC).

KUNDENDIENST UND ERSATZTEILE

 Setzen Sie sich für Reparaturen des Geräts mit einem autorisierten Kundendienstzentrum in Verbindung. Verwenden Sie nur Originalersatzteile. Bitte beachten Sie, dass eine selbst bzw. nicht fachmännisch ausgeführte Reparatur Ihre Sicherheit gefährden und zum Erlöschen der Gewährleistung führen kann.

Die nachstehenden Komponenten sind nach Auslaufen des Modells noch 7 Jahre verfügbar: Motor, Umwälz- und Ablaspumpe, Heizvorrichtungen und Heizelemente (einschließlich Heizpumpen), Verrohrung und zugehörige Ausrüstung (einschließlich Schläuche, Ventile, Filter und AquaStop-Vorrichtungen), für die Türeinheit relevante Struktur- und Innenverkleidungsteile, Leiterplatten, elektronische Displays, Druckschalter, Thermostate und Sensoren sowie Software und Firmware (einschließlich der Software für die Rücksetzung auf den Werkszustand). Bitte beachten Sie, dass einige dieser Ersatzteile nur für professionelle Servicewerkstätten zur Verfügung stehen und dass nicht alle Ersatzteile für alle Modelle benutzt werden können.

Die nachstehenden Komponenten sind nach Auslaufen des Modells noch 10 Jahre verfügbar: Türscharnier und Dichtungen, sonstige Dichtungen, Sprüharme, Ablauffilter, Einschubgestelle und Kunststoffzubehör (z. B. Körbe und Deckel).

TIPPS ZUM ENERGIESPAREN

Beim Spülen des Geschirrs in der Geschirrspülmaschine gemäß den in dieser Bedienungsanleitung enthaltenen Anweisungen wird in der Regel ein geringerer Wasser- und Stromverbrauch als beim Spülen von Hand erzielt. Beladen Sie das Gerät stets bis zur maximalen Kapazität, um Wasser und Strom zu sparen. Um ein optimales Reinigungsergebnis zu erzielen, sollten Sie die Gegenstände in den Körben gemäß den in der Bedienungsanleitung enthaltenen Anweisungen anordnen und darauf achten, die Körbe nicht zu überladen.

Spülen Sie das Geschirr nicht von Hand vor. Der Wasser- und Energieverbrauch erhöht sich dadurch nur. Wählen Sie bei Bedarf ein Programm mit einer Vorreinigungsphase. Entfernen Sie größere Speisereste vom Geschirr und leeren Sie Tassen und Gläser, bevor Sie sie im Inneren des Geräts unterbringen. Weichen Sie Kochgeschirr mit fest an den Oberflächen klebenden oder eingebrannten Lebensmitteln ein oder greifen Sie auf ein geeignetes Scheuermittel zurück, bevor Sie es zur Reinigung in das Gerät geben.

Achten Sie darauf, dass die sich in den Körben befindlichen Geschirrtile und Utensilien weder miteinander in Berührung kommen noch übereinander liegen. Nur dann kann das Wasser alle Oberflächen des Geschirrs erreichen und reinigen.

Berücksichtigen Sie bei der Auswahl des Reinigungsprogramms stets die Art der Beladung und den Grad der Verschmutzung. Das ECO-Programm bietet hinsichtlich des Wasser- und Stromverbrauchs die höchste Effizienz.

FÜR DEUTSCHLAND GELTENDE ERRATA Folgende Informationen zur Entsorgung ersetzen die Regelungen im Abschnitt „Umwelttips“ des User Manual – Benutzerinformationen mit Wirkung ab dem 01.01.2022

• Ihre Pflichten als Endnutzer



Dieses Elektro- bzw. Elektronikgerät ist mit einer durchgestrichenen Abfalltonne auf Rädern gekennzeichnet. Das Gerät darf deshalb nur getrennt vom unsortierten Siedlungsabfall gesammelt und zurückgenommen werden, es darf also nicht in den Hausmüll gegeben werden. Das Gerät kann z. B. bei einer kommunalen Sammelstelle oder ggf. bei einem Vertreiber (siehe zu deren Rücknahmepflichten in Deutschland unten) abgegeben werden. Das gilt auch für alle Bauteile, Unterbaugruppen und Verbrauchsmaterialien des zu entsorgenden Altgeräts.

Bevor das Altgerät entsorgt werden darf, müssen alle Altbatterien und Altakkumulatoren vom Altgerät getrennt werden, die nicht vom Altgerät umschlossen sind. Das gleiche gilt für Lampen, die zerstörungsfrei aus dem Altgerät entnommen werden können. Der Endnutzer ist zudem selbst dafür verantwortlich, personenbezogene Daten auf dem Altgerät zu löschen.

• Elektronik- Altgeräten in Deutschland



Das Symbol der durchgestrichenen Mülltonne auf dem Gerät bzw. auf dem beiliegenden Informationsmaterial weist darauf hin, dass dieses Gerät kein normaler Hausabfall ist, sondern in einer geeigneten Sammelstelle für Elektro- und Elektronik-Altgeräte entsorgt werden muss.

Altgeräte können kostenfrei im lokalen Wertstoff- oder Recyclinghof abgegeben werden.

- **Hinweise zum Recycling**



Helfen Sie mit, alle Materialien zu recyceln, die mit diesem Symbol gekennzeichnet sind. Entsorgen Sie solche Materialien, insbesondere Verpackungen, nicht im Hausmüll sondern über die bereitgestellten Recyclingbehälter oder die entsprechenden örtlichen Sammelsysteme.

Recyceln Sie zum Umwelt- und Gesundheitsschutz elektrische und elektronische Geräte.

- **Rücknahmepflichten der Vertreiber**

Wer auf mindestens 400 m² Verkaufsfläche Elektro- und Elektronikgeräte vertreibt oder sonst geschäftlich an Endnutzer abgibt, ist verpflichtet, bei Abgabe eines neuen Geräts

ein Altgerät des Endnutzers der gleichen Geräteart, das im Wesentlichen die gleichen Funktionen wie das neue Gerät erfüllt, am Ort der Abgabe oder in unmittelbarer Nähe hierzu unentgeltlich zurückzunehmen. Das gilt auch für Vertreiber von Lebensmitteln mit einer Gesamtverkaufsfläche von mindestens 800 m², die mehrmals im Kalenderjahr oder dauerhaft Elektro- und Elektronikgeräte anbieten und auf dem Markt bereitstellen. Solche Vertreiber müssen zudem auf Verlangen des Endnutzers Altgeräte, die in keiner äußeren Abmessung größer als 25 cm sind (kleine Elektrogeräte), im Einzelhandelsgeschäft oder in unmittelbarer Nähe hierzu unentgeltlich zurückzunehmen; die Rücknahme darf in diesem Fall nicht an den Kauf eines Elektro- oder Elektronikgerätes geknüpft, kann aber auf drei Altgeräte pro Geräteart beschränkt werden.

IKEA Garantie

Wie lange ist die IKEA-Garantie gültig?

Diese Garantie gilt ab dem Datum des Kaufs über einen Zeitraum von 5 Jahren. Bei Inanspruchnahme der Garantieleistungen ist der Original-Kaufbeleg als Kaufnachweis vorzulegen. Werden im Rahmen der Garantie Reparatur- oder Wartungsarbeiten durchgeführt, bleibt die verbleibende Garantiezeit des Geräts davon unberührt.

Wer übernimmt den Kundendienst?

Der IKEA-Kundendienstpartner stellt den Kundendienst über seinen eigenen Betrieb oder ein autorisiertes Kundendienstpartnernetzwerk zur Verfügung.

Was deckt diese Garantie ab?

Die Garantie deckt Gerätefehler, die aufgrund einer fehlerhaften Konstruktion oder aufgrund von Materialfehlern nach dem Datum des Einkaufs bei IKEA entstanden sind. Die Garantie gilt nur für

den Hausgebrauch des entsprechenden Geräts. Ausnahmen sind unter der Überschrift „Was deckt diese Garantie nicht ab?“ erläutert. Innerhalb der Garantiezeit werden die Kosten für Reparatur, Ersatzteile, Arbeits- und Reisekosten übernommen, vorausgesetzt, das Gerät ist ohne besonderen Aufwand für eine Reparatur zugänglich. Auf diese Bedingungen sind die EU-Richtlinien 99/44/EG sowie die jeweilig geltenden örtlichen Vorschriften anzuwenden. Ersetzte Teile gehen in das Eigentum von IKEA über.

Was unternimmt IKEA, um das Problem zu beheben?

Der von IKEA beauftragte Kundendienstpartner prüft das Produkt und entscheidet nach eigenem Ermessen, ob es unter diese Garantie fällt. Wenn es als unter diese Garantie fallend erachtet wird, wird der IKEA-Kundendienstpartner oder sein autorisierter Kundendienstpartner durch seinen eigenen Kundendienstbetrieb das defekte Produkt nach eigenem Ermessen entweder reparieren oder durch dasselbe oder ein vergleichbares Produkt ersetzen.

Was deckt diese Garantie nicht ab?

- Normalen Verschleiß.
- Vorsätzliche oder fahrlässig herbeigeführte Schäden, Beschädigungen infolge Missachtung der Bedienungsanleitung, unsachgemäße Installation, falschen Stromanschluss, Beschädigung durch chemische oder elektrochemische Reaktionen, Rost, Korrosion oder Wasserschäden, einschließlich, aber nicht darauf beschränkt, Schäden durch ungewöhnlich hohen Kalkgehalt des Wassers, Beschädigungen durch außergewöhnliche Umweltbedingungen.
- Verbrauchs- und Verschleißteile wie Batterien und Lampen.
- Nichtfunktionelle und dekorative Teile, die den normalen Gebrauch des Gerätes nicht beeinflussen, sowie Kratzer und mögliche Farbabweichungen.
- Zufallsschäden durch Fremdkörper, Substanzen oder Reinigungsarbeiten an Filtern, Abflüssen oder Wasch-/Spülmittelfächern.
- Schäden an folgenden Teilen: Glaskeramik, Zubehör, Geschirr- und Besteckkörbe, Zu- und Ablaufschläuche, Dichtungen, Glühlampen und deren Abdeckungen, Siebe, Knöpfe, Gehäuse und Gehäuseteile. Soweit nicht nachgewiesen wird, dass solche Schäden auf Herstellungsmängel zurückzuführen sind.

- Fälle, in denen beim Besuch eines Technikers kein Fehler gefunden werden konnte.
- Reparaturen, die nicht von unserem eigenen Kundendienst oder einem autorisierten Kundendienstpartner ausgeführt wurden oder bei denen keine Originalteile verwendet wurden.
- Durch fehlerhafte oder unvorschriftsmäßige Installation erforderliche Reparaturen.
- Die Verwendung des Geräts in einer nicht-häuslichen Umgebung, d. h. die gewerbliche Nutzung des Geräts.
- Transportschäden. Transportiert der Kunde das Produkt zu sich nach Hause oder an eine andere Adresse, haftet IKEA in keinem Fall für während des Transports entstehende Schäden. Schäden am Produkt, die während der Auslieferung entstehen, sind nur dann durch diese Garantie abgedeckt, wenn IKEA das Produkt an die Lieferadresse des Kunden liefert.
- Kosten für die Erstinstallation des IKEA-Geräts. Sollte jedoch ein Dienstleistungsanbieter von IKEA oder dessen autorisierter Kundendienstpartner das Gerät im Rahmen dieser Garantiebedingungen reparieren oder durch ein neues Gerät ersetzen, übernimmt der Dienstleistungsanbieter bzw. dessen autorisierter Kundendienstpartner auf Wunsch den Wiedereinbau und/oder den Anschluss des reparierten bzw. neuen Geräts.

Diese Einschränkung gilt nicht für fehlerfreie Arbeiten, die von einem qualifizierten Fachmann unter Verwendung unserer Originalteile durchgeführt werden, um das Gerät an die technischen Sicherheitsvorschriften eines anderen EU-Landes anzupassen.

Gültigkeit der länderspezifischen Bestimmungen

Die IKEA-Garantie gibt Ihnen bestimmte gesetzliche Rechte, die örtliche Anforderungen abdecken oder übertreffen.

Allerdings schränken diese Bedingungen in keiner Weise die landesweit geltenden Verbraucherrechte ein.

Gültigkeitsbereich

Für Geräte, die in einem EU-Land gekauft und in ein anderes Land mitgenommen werden, wird der Kundendienst gemäß der Garantierichtlinien im neuen Land übernommen.

Eine Verpflichtung zur Durchführung von Leistungen im Rahmen der Garantie besteht nur dann, wenn das Gerät in Übereinstimmung mit und gemäß den folgenden Bedingungen installiert wurde:

- den technischen Spezifikationen des Landes, in dem der Garantieanspruch erfolgt;
- der Montageanleitung und den Sicherheitshinweisen im Benutzerhandbuch.

Spezieller Kundendienst für IKEA-Geräte:

Bitte zögern Sie nicht, sich mit dem IKEA-Kundendienst in Verbindung zu setzen, um:

1. eine Reparaturanfrage gemäß dieser Garantie zu stellen;
2. Klarstellung zum Einbau des IKEA-Geräts in die speziellen IKEA-Küchenmöbel zu ersuchen. Der Kundendienst bietet keine Klarstellungen in Bezug auf:
 - die gesamte IKEA-Kücheninstallation;
 - Anschluss an das Stromnetz (wenn das Gerät ohne Stecker und Kabel geliefert wird), an das Wasser- und Gasnetz, da dies von einem autorisierten Kundendiensttechniker ausgeführt werden muss.
3. Klarstellung zum Inhalt des Benutzerhandbuchs und zu den Spezifikationen des IKEA-Geräts zu erfragen.

Um zu gewährleisten, dass wir Ihnen die bestmögliche Unterstützung bieten, lesen Sie bitte die Montageanleitung und/oder den Abschnitt Bedienungsanleitung in diesem Handbuch aufmerksam durch, bevor Sie sich an uns wenden.

So erreichen Sie unseren Kundendienst



Die vollständige Liste der von IKEA benannten Ansprechpartner und die entsprechenden nationalen Telefonnummern finden Sie auf der letzten Seite dieses Handbuchs.

- i** Damit unser Kundendienst Ihnen schneller mit Rat und Tat zur Seite steht, empfehlen wir Ihnen, stets die am Ende dieser Bedienungsanleitung aufgeführten spezifischen Rufnummern zu verwenden. Beziehen Sie sich immer auf die Nummern, die in der Broschüre des spezifischen Geräts aufgeführt sind, für das Sie Hilfe benötigen. Bevor Sie uns anrufen, sollten Sie sich vergewissern, dass Sie sowohl die IKEA-Artikelnummer (8-stelliger Code) als auch die Seriennummer (8-stelliger Code, der auf dem Typenschild zu finden ist) des Geräts, für das Sie unsere Hilfe benötigen, zur Hand haben.

- i** **BEWAHREN SIE DEN KAUFBELEG AUF!** Dieser dient als Kaufnachweis und ist für Garantiefälle erforderlich. Beachten Sie, dass ebenfalls die Quittung den IKEA-Artikelnamen und die IKEA-Artikelnummer (8-stelliger Code) für jedes der von Ihnen gekauften Geräte angibt.

Benötigen Sie weiteren Rat und Unterstützung?

Für alle weiteren Fragen, die keine Kundendienstleistungen bezüglich Ihrer Geräte betreffen, wenden Sie sich bitte an Ihr nächstgelegenes IKEA-Callcenter. Grundsätzlich empfehlen wir Ihnen, sich stets zunächst einmal die dem Gerät beiliegenden Unterlagen sorgfältig durchzulesen, bevor Sie sich mit uns in Verbindung setzen.

Informations de sécurité

Avant l'installation et l'utilisation de cet appareil, lisez attentivement les instructions fournies. Le fabricant n'est pas responsable des blessures ou des dommages résultant d'une installation ou d'une utilisation incorrecte. Conservez toujours les instructions dans un lieu sûr et accessible pour pouvoir vous y référer ultérieurement.

AVERTISSEMENTS DE SÉCURITÉ

⚠ Cet appareil peut être utilisé par les enfants âgés de 8 ans et plus et les personnes aux capacités physiques, sensorielles ou mentales réduites ou ne disposant pas de l'expérience ou de la connaissance nécessaire, s'ils sont sous surveillance ou ont reçu les instructions nécessaires concernant l'utilisation de l'appareil et s'ils en comprennent les dangers. Les enfants âgés de moins de 8 ans et les personnes souffrant de handicaps très étendus et complexes devront être tenus à l'écart de l'appareil, sauf s'ils sont surveillés en permanence. Ne laissez pas les enfants jouer avec l'appareil. Tenez les enfants et les animaux domestiques éloignés de l'appareil lorsque la porte est ouverte. Les enfants ne doivent pas effectuer le nettoyage et l'entretien de l'appareil sans surveillance. Gardez les détergents hors de portée des enfants.

⚠ **AVERTISSEMENT** : les couteaux et autres ustensiles à pointes acérées doivent être chargés dans le panier avec leurs pointes vers le bas ou placés en position horizontale.

⚠ **AVERTISSEMENT** : Ne laissez pas l'appareil avec la porte ouverte sans surveillance pour éviter de marcher accidentellement dessus.

⚠ Cet appareil est destiné à être utilisé dans des applications domestiques et similaires telles que : les cuisines du personnel dans les magasins, les bureaux et autres environnements de travail ; les fermes ; les clients dans les hôtels, les motels, les chambres d'hôtes et autres environnements de type résidentiel.

⚠ Ne modifiez pas les spécifications de cet appareil.

⚠ La pression d'eau de service (minimale et maximale) doit être comprise entre 0,4 (0,04) et 10 (1,0) bar (MPa).

⚠ Respectez le nombre maximal de 10 couverts.

⚠ L'appareil doit être raccordé au réseau d'eau à l'aide des nouveaux tuyaux fournis. Les anciens jeux de tuyaux ne doivent pas être réutilisés.

⚠ Avant toute opération de maintenance, éteignez l'appareil et débranchez la fiche secteur de la prise.

⚠ Pour éviter tout danger, faites remplacer le cordon d'alimentation endommagé par le fabricant, un agent agréé ou une personne qualifiée.

⚠ Assurez-vous de bien pouvoir accéder à la fiche secteur après l'installation.

⚠ Si l'appareil comporte des ouvertures de ventilation à la base, celles-ci ne doivent pas être recouvertes, par exemple, par un tapis.

⚠ N'utilisez pas de jet d'eau à haute pression ni de vapeur pour nettoyer l'appareil.

Utilisation autorisée

⚠ N'utilisez pas l'appareil à l'extérieur.

⚠ Ne retirez pas la vaisselle de l'appareil tant que le programme n'est pas terminé. Il se peut qu'un peu de détergent soit encore présent sur la vaisselle.

⚠ Ne rangez pas d'objets et n'exercez pas de pression sur la porte ouverte de l'appareil.

⚠ Ne mettez pas de produits inflammables ou d'objets imbibés de liquide inflammable dans, sur ou à proximité de l'appareil.

⚠ Ne buvez pas et ne jouez pas avec l'eau de l'appareil.

⚠ L'appareil peut dégager de la vapeur chaude si vous ouvrez la porte pendant qu'un programme fonctionne.

Consignes de sécurité

Installation

⚠ **Avertissement !** Seule une personne qualifiée peut installer cet appareil. 2 personnes sont nécessaires pour l'installation.

- Retirez tous les emballages et les boulons de transport.
- N'installez pas et n'utilisez pas un appareil endommagé.
- N'installez pas et n'utilisez pas l'appareil dans un lieu où la température est inférieure à 0 °C.
- Suivez les instructions d'installation fournies avec l'appareil.
- Faites toujours preuve de prudence lorsque vous déplacez l'appareil, car celui-ci est lourd. Portez toujours des gants de sécurité et des chaussures fermées.
- Veillez à ce que l'appareil soit installé en dessous et à côté de structures sûres.

⚠ **Avertissement !** N'utilisez pas l'appareil avant de l'avoir installé dans la structure encastrée. L'appareil doit être débranché avant toute opération d'installation - risque d'électrocution.

Branchement électrique

⚠ **Avertissement !** Risque d'électrocution et d'incendie.

⚠ **Avertissement !** Lorsque vous positionnez l'appareil, assurez-vous que le cordon d'alimentation n'est pas coincé ou endommagé.

⚠ **Avertissement !** Ne pas utiliser de multiprises et de rallonges.

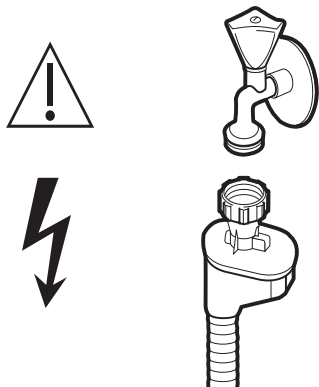
⚠ **Avertissement !** Ne coupez pas, ne retirez pas et ne contournez en aucun cas la broche de mise à la terre.

- L'appareil doit être connecté à la terre.
- Assurez-vous que les paramètres indiqués sur la plaque signalétique sont compatibles avec les caractéristiques électriques de l'alimentation secteur.
- Utilisez toujours une prise résistante aux chocs et correctement installée.
- Assurez-vous de ne pas endommager les composants électriques (par ex. : prise secteur, câble secteur). Contactez le centre de service agréé pour changer les composants électriques.
- Ne branchez l'appareil sur le secteur qu'une fois l'installation terminée. Assurez-vous de bien pouvoir accéder à la fiche secteur après l'installation.
- Ne tirez pas sur le câble secteur pour débrancher l'appareil. Débranchez-le toujours en saisissant la fiche secteur.
- Cet appareil est conforme aux directives européennes.
- Royaume-Uni et Irlande uniquement : Cet appareil est équipé d'une prise secteur de 13 A. S'il est nécessaire de changer le fusible de la prise secteur, utilisez uniquement un fusible ASTA (BS 1362) de 13 A.

Raccordement à l'eau

- Veillez à ne pas endommager les tuyaux d'eau.
- Avant de raccorder de nouveaux tuyaux à des tuyaux non utilisés depuis longtemps, lorsque des travaux de réparation ont été effectués ou que de nouveaux dispositifs ont été installés (compteurs d'eau, etc.), laissez l'eau couler jusqu'à ce qu'elle soit propre et claire.

- Veillez à ce qu'il n'y ait pas de fuite d'eau visible pendant et après la première utilisation de l'appareil.
- Le tuyau d'arrivée d'eau est équipé d'une soupape de sécurité et d'une gaine avec un câble d'alimentation interne.



⚠ **Avertissement !** Tension dangereuse.

- Si le tuyau d'arrivée d'eau est endommagé, fermez immédiatement le robinet d'eau et débranchez la fiche secteur de la prise de courant. Contactez le centre de service agréé pour remplacer le tuyau d'arrivée d'eau.

⚠ **Avertissement !** Risque de blessures, de brûlures, de choc électrique ou d'incendie.

- N'utilisez jamais de savon, de détergent à lessive ou de détergent pour le lavage à la main dans votre lave-vaisselle.
- Le détergent pour lave-vaisselle est corrosif ! Gardez le détergent pour lave-vaisselle hors de la portée des enfants.

- Ne buvez pas et ne jouez pas avec l'eau de l'appareil.
- Le détergent pour lave-vaisselle est corrosif ! Gardez le détergent pour lave-vaisselle hors de la portée des enfants.
- Ne retirez pas la vaisselle de l'appareil tant que le programme n'est pas terminé. Il se peut qu'un peu de détergent soit encore présent sur la vaisselle.
- L'appareil peut dégager de la vapeur chaude si vous ouvrez la porte pendant qu'un programme fonctionne.
- Ne mettez pas de produits inflammables ou d'objets imbibés de liquide inflammable dans, sur ou à proximité de l'appareil.

Entretien

- Pour faire réparer l'appareil, contactez un centre de service agréé.
- Utilisez uniquement des pièces de rechange d'origine.

Mise au rebut

Avertissement ! Risque de blessures ou d'étouffement.

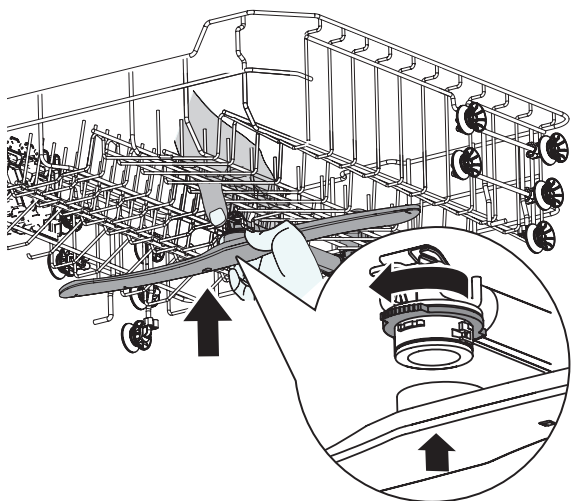
- Débranchez l'appareil de l'alimentation secteur.
- Coupez et jetez le cordon d'alimentation.
- Retirez la porte pour empêcher les enfants et les animaux domestiques de s'enfermer dans l'appareil.

Entretien et nettoyage

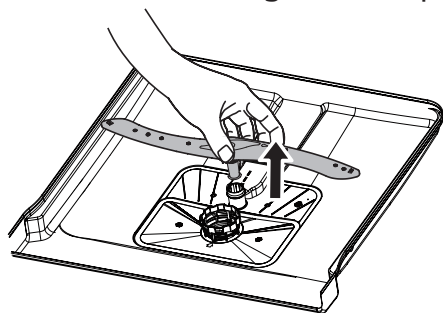
⚠ **Avertissement !** Avant toute opération de maintenance, éteignez l'appareil et débranchez sa prise murale.

ⓘ Des filtres sales et des bras gicleurs obstrués nuisent aux résultats de lavage. Vérifiez-les régulièrement et, si nécessaire, nettoyez-les.

1. Rincez les bras supérieur et inférieur à l'eau courante. Utilisez un outil fin et pointu (par exemple un cure-dent) pour retirer les particules de saleté des orifices des bras gicleurs.
2. Après le nettoyage, remettez les bras gicleurs en place. Pour fixer le bras gicleur supérieur au panier supérieur, alignez le centre du bras gicleur avec l'écrou et tournez-le dans le sens des aiguilles d'une montre pour le serrer.



Pour fixer le bras gicleur inférieur au bas de l'appareil, insérez le bras gicleur en place.



Nettoyage extérieur

- Nettoyez l'appareil avec un chiffon doux et humide.
- N'utilisez que des détergents neutres.
- N'utilisez pas de produits abrasifs, de tampons de nettoyage abrasifs ou de solvants.


Protection de l'environnement

AVERTISSEMENTS DE SÉCURITÉ


⚠ Les détergents pour lave-vaisselle sont dangereux. Suivez les consignes de sécurité figurant sur l'emballage du détergent.

⚠ Débranchez l'appareil de l'alimentation secteur. Coupez le câble d'alimentation à proximité de l'appareil et mettez-le au rebut. Retirez le loquet de la porte pour éviter que les enfants et les animaux domestiques ne se retrouvent enfermés dans l'appareil.

MISE AU REBUT DES MATÉRIAUX D'EMBALLAGE

Recyclez les matériaux portant le symbole . Placez les emballages dans les conteneurs appropriés pour les recycler.

MISE AU REBUT DES APPAREILS ÉLECTROMÉNAGERS

Cet appareil est fabriqué avec des matériaux recyclables ou réutilisables. Il est interdit d'éliminer les équipements marqués du symbole  avec les déchets ménagers.

Nettoyage intérieur

- Nettoyez soigneusement l'appareil, y compris le joint en caoutchouc de la porte, avec un chiffon doux et humide.
- Pour préserver les performances de votre appareil, utilisez au moins une fois par mois un produit de nettoyage spécialement conçu pour les lave-vaisselle. Suivez attentivement les instructions figurant sur l'emballage du produit.
- N'utilisez pas de produits abrasifs, de tampons de nettoyage abrasifs, d'outils tranchants, de produits chimiques puissants, de récurants ou de solvants.
- L'utilisation régulière de programmes de courte durée peut entraîner une accumulation de graisse et de calcaire à l'intérieur de l'appareil.


Utilisez des programmes de longue durée au moins deux fois par mois pour éviter une telle accumulation.

Rapportez l'article au détaillant local conformément à la législation locale, au point de collecte ou contactez les autorités municipales compétentes pour en savoir plus.

Afin de préserver les ressources, veillez à ce que les équipements électriques et électroniques, les pièces ou les matériaux mis au rebut soient réutilisés ou recyclés conformément à la directive européenne sur les déchets d'équipements électriques et électroniques 2012/19/EU.

Certains matériaux et substances contenus dans certains EEE mis au rebut peuvent avoir un impact négatif sur l'environnement et la santé humaine. Ce produit ne contient pas de substances dangereuses telles que spécifiées par la directive européenne relative à la limitation de l'utilisation de certaines substances dangereuses dans les équipements électriques et électroniques 2011/65/EU et ses amendements ; cependant, il peut contenir des substances extrêmement préoccupantes (SVHC) conformément au règlement REACH CE N° 1907/2006.

RÉPARATION ET PIÈCES DE RECHANGE

 Pour faire réparer l'appareil, contactez le centre de service agréé. Utilisez uniquement des pièces de rechange d'origine. Veuillez noter qu'une réparation effectuée par vous-même ou par un non-professionnel peut avoir des conséquences sur la sécurité et peut annuler la garantie.

Les pièces de rechange suivantes seront disponibles pendant 7 ans après l'arrêt de la production du modèle : moteur ; pompe de circulation et de vidange ; appareils de chauffage et éléments chauffants, y compris les pompes à chaleur, tuyauterie et équipement connexe, y compris tous les tuyaux, vannes, filtres et aquastops ; pièces structurelles et intérieures liées aux ensembles de portes, circuits imprimés ; écrans électroniques, pressostats, thermostats et capteurs, logiciels et micrologiciels, y compris le logiciel de réinitialisation. Veuillez noter que certaines

de ces pièces de rechange ne sont disponibles que pour les réparateurs professionnels, et que toutes les pièces de rechange ne sont pas adaptées à tous les modèles.

Les pièces de rechange suivantes seront disponibles pendant 10 ans après l'arrêt de la production du modèle : charnière et joints de porte, autres joints, bras gicleurs, filtres de vidange, supports intérieurs et périphériques en plastique tels que paniers et couvercles.

CONSEILS EN MATIÈRE D'ÉCONOMIE D'ÉNERGIE

Laver la vaisselle dans le lave-vaisselle en suivant les instructions du manuel d'utilisation consomme généralement moins d'eau et d'énergie que de laver la vaisselle à la main. Chargez le lave-vaisselle à pleine capacité pour économiser l'eau et l'énergie. Pour obtenir des résultats de nettoyage optimaux, placez les ustensiles dans les paniers comme indiqué dans le manuel d'utilisation et ne surchargez pas les paniers.

Ne prérinçez pas la vaisselle à la main. Cela augmente la consommation d'eau et d'énergie. Si nécessaire, sélectionnez un programme avec une phase de pré lavage. Enlevez les restes de nourriture les plus importants de la vaisselle et videz les tasses et les verres avant de les placer dans l'appareil. Faites tremper ou frottez légèrement les ustensiles de cuisine contenant des aliments incrustés avant de les laver dans l'appareil.

Veillez à ce que les objets placés dans les paniers ne se touchent pas et ne se superposent pas. Ce n'est qu'ainsi que l'eau peut atteindre complètement la vaisselle et la laver.

Choisissez un programme en fonction du type de charge et du degré de saleté. Le programme ECO offre l'utilisation la plus efficace de l'eau et de la consommation d'énergie.

Garantie IKEA

Quelle est la durée de validité de la garantie IKEA ?

La garantie est valable 5 ans à compter de la date d'achat. Le ticket de caisse original est nécessaire comme preuve d'achat. Si des travaux d'entretien sont effectués dans le cadre de la garantie, ils ne prolongent pas la période de garantie de l'appareil.

Qui effectuera la réparation ?

Le prestataire de services IKEA fournira le service par le biais de ses propres opérations de service ou d'un réseau de partenaires de service autorisés.

Que couvre la garantie ?

La garantie couvre les défauts de l'appareil dus à des vices de matière ou de fabrication à compter de la date d'achat chez IKEA. Cette garantie ne s'applique que dans le cas d'un usage domestique. Les exceptions sont spécifiées à la section « Qu'est-ce qui n'est pas couvert par cette garantie ? » Pendant la période de garantie, les coûts engagés pour remédier au problème, par exemple les réparations, les pièces, la main-d'œuvre et les déplacements sont pris en charge à condition que l'appareil soit accessible à des fins de réparation sans dépenses particulières. Dans ces conditions, les directives de l'UE (n° 99/44/EG) et les réglementations locales respectives sont applicables. Les pièces remplacées deviendront propriété d'IKEA.

Que fera IKEA pour régler le problème ?

Le prestataire de services désigné par IKEA examinera le produit et décidera, à sa seule discrétion, s'il est couvert par cette garantie. S'il est considéré comme couvert, le prestataire de services IKEA ou son partenaire de service agréé, par le biais de ses propres opérations de service, réparera alors, à sa seule discrétion, le produit

défectueux ou le remplacera par un produit identique ou comparable.

Qu'est-ce qui n'est pas couvert par cette garantie ?

- L'usure normale.
- Les dommages occasionnés sciemment ou par négligence, les dommages résultant du non-respect des instructions d'utilisation, d'une installation inadéquate ou d'une alimentation électrique inadéquate, les dommages causés par des réactions chimiques ou électrochimiques, la rouille, la corrosion ou un dégât des eaux, y compris, sans toutefois s'y limiter, les dommages causés par un excès de calcaire dans l'eau et les dommages causés par des conditions environnementales anormales.
- Les consommables, y compris les ampoules et les piles.
- Les éléments non fonctionnels et décoratifs qui n'affectent pas l'usage normal de l'appareil, y compris les rayures et les éventuelles différences de couleur.
- Les dommages accidentels causés par des corps étrangers ou des substances, et le nettoyage et le débouchage des filtres, des systèmes de vidange ou des compartiments à savon.
- Les dommages occasionnés aux éléments suivants : vitrocéramique, accessoires, paniers à vaisselle et à couverts, tuyaux d'alimentation et de vidange, joints, ampoules et diffuseurs, écrans, boutons, revêtements et parties de revêtements. Sauf s'il est prouvé que ces dommages sont dus à des vices de fabrication.
- Les cas où aucun défaut n'a pu être constaté lors de la visite d'un technicien.
- Les réparations qui ne sont pas effectuées par nos réparateurs désignés et/ou un partenaire contractuel autorisé ou en cas d'utilisation antérieure de pièces non d'origine.

- Les réparations consécutives à une installation inadéquate ou non conforme aux spécifications.
- L'utilisation de l'appareil dans un environnement non domestique (p. ex. professionnel).
- Les dommages occasionnés par ou durant le transport. Si le client transporte le produit à son domicile ou à une autre adresse, IKEA n'est pas responsable des dommages survenus pendant le transport. Toutefois, si IKEA livre le produit à l'adresse de livraison du client, les dommages survenus pendant la livraison sont couverts par la présente garantie.
- Les frais liés à l'installation initiale de l'appareil IKEA. Toutefois, si un prestataire de services IKEA ou son partenaire de service agréé répare ou remplace l'appareil selon les termes de cette garantie, le prestataire de services ou son partenaire de service agréé réinstallera l'appareil réparé ou installera l'appareil de rechange, si nécessaire.

Cette restriction ne s'applique pas aux travaux sans défaut effectués par un spécialiste qualifié utilisant nos pièces d'origine afin d'adapter l'appareil aux spécifications techniques de sécurité d'un autre pays de l'UE.

Loi nationale applicable

La garantie IKEA vous donne des droits légaux spécifiques, qui couvrent ou dépassent les exigences locales. Cependant, ces conditions ne limitent en aucun cas les droits des consommateurs décrits dans la législation locale.

Zone de validité

Pour les appareils achetés dans un pays européen et transportés dans un autre pays européen, les interventions seront effectuées dans le cadre des conditions de garantie normales dans le nouveau pays. L'obligation de réparation dans le cadre de la garantie n'est effective que si l'appareil est conforme et installé conformément aux :

- spécifications techniques du pays dans lequel la demande d'intervention sous garantie est introduite ;
- instructions de montage et aux informations relatives aux consignes de sécurité figurant dans le manuel d'utilisation.

Le service après-vente dédié aux appareils IKEA :

n'hésitez pas à contacter le service après-vente IKEA pour :

- 1.** faire une demande d'intervention sous garantie ;
- 2.** demander des précisions sur l'installation de l'appareil IKEA dans le meuble de cuisine IKEA dédié. Les services ne fourniront pas de précisions à ce sujet :
 - l'installation générale de la cuisine IKEA ;
 - les branchements à l'électricité (si la machine est livrée sans fiche ni câble), à l'eau et au gaz, car ceux-ci doivent être effectués par un technicien de service autorisé.
- 3.** des précisions sur le contenu du manuel d'utilisation et les spécifications de l'appareil IKEA.

Afin que nous puissions vous fournir la meilleure assistance possible, veuillez lire attentivement les instructions de montage ou la section du manuel d'utilisation de cette brochure avant de nous contacter.

Comment nous joindre en cas de besoin



Veillez vous reporter à la dernière page de ce manuel pour obtenir la liste complète des contacts désignés par IKEA et les numéros de téléphone nationaux correspondants.

- i** Afin de vous fournir un service plus rapide, nous vous recommandons d'utiliser les numéros de téléphone spécifiques indiqués à la fin de ce manuel. Reportez-vous toujours aux numéros indiqués dans la brochure de l'appareil spécifique pour lequel vous avez besoin d'une assistance. Avant de nous appeler, assurez-vous que vous avez en main le numéro d'article IKEA (code à 8 chiffres) et le numéro de série (code à 8 chiffres qui se trouve sur la plaque signalétique) de l'appareil pour lequel vous avez besoin de notre aide.

- i** **CONSERVEZ VOTRE PREUVE D'ACHAT !**
La preuve de votre achat est nécessaire pour l'application de la garantie. Notez que le reçu indique également le nom et le numéro de l'article IKEA (code à 8 chiffres) pour chacun des appareils que vous avez achetés.

Besoin d'aide supplémentaire ?

Pour toute question supplémentaire non liée au service après-vente de vos appareils, veuillez contacter le centre d'appel du magasin IKEA le plus proche. Nous vous recommandons de lire attentivement toute la documentation fournie avec l'appareil avant de nous contacter.

Informazioni per la sicurezza

Leggere attentamente le istruzioni fornite prima di installare e utilizzare l'apparecchiatura. Il produttore non è responsabile di eventuali lesioni o danni derivanti da un'installazione o un uso inadeguato dell'apparecchio. Conservare le istruzioni in un luogo sicuro e facilmente accessibile per una consultazione futura.

AVVERTENZE DI SICUREZZA

⚠ Questo apparecchio può essere utilizzato dai bambini dagli 8 anni in su e da persone con capacità fisiche, sensoriali o mentali ridotte, o prive dell'esperienza o delle conoscenze necessarie, solo se supervisionati o istruiti in merito all'uso sicuro dell'apparecchio e se hanno compreso i rischi che ne derivano. I bambini di età inferiore agli 8 anni e le persone con gravi e complesse disabilità devono essere tenuti a distanza, a meno che non siano continuamente sorvegliati. Non lasciare che i bambini giochino con l'apparecchio. Tenere bambini e animali domestici lontani dall'apparecchio quando lo sportello è aperto. I bambini non devono eseguire le operazioni di pulizia e manutenzione dell'apparecchio a carico dell'utente, senza un'adeguata supervisione. Tenere i detersivi fuori dalla portata dei bambini.

⚠ AVVERTENZA: coltelli e altri utensili con punte affilate devono essere riposti nel cestino con le punte rivolte verso il basso o in posizione orizzontale.

⚠ AVVERTENZA: Non lasciare incustodito l'apparecchio quando lo sportello è aperto, per evitare di inciamparvi.

⚠ Questo apparecchio è destinato ad un uso domestico e ad altre applicazioni simili, quali cucine e mense in negozi, uffici e altri ambienti di lavoro, nonché per l'utilizzo da parte dei clienti in strutture destinate ad agriturismo, hotel, motel, bed and breakfast e altri ambienti di tipo residenziale.

⚠ Non apportare modifiche alle specifiche dell'apparecchio.

⚠ La pressione di esercizio (minima e massima) dell'acqua deve essere compresa tra 0,4 (0,04)/10 (1,0) bar (MPa).

⚠ Rispettare la capacità massima corrispondente a 10 coperti.

⚠ L'apparecchio deve essere collegato alla rete idrica utilizzando i nuovi kit di tubi forniti in dotazione. Non riutilizzare i vecchi kit di tubi.

⚠ Prima di procedere alla manutenzione, spegnere l'apparecchio e scollegare la spina dalla presa di alimentazione.

⚠ Se il cavo di alimentazione è danneggiato, deve essere sostituito dal produttore, dal centro assistenza autorizzato o da una persona altrettanto qualificata, al fine di evitare situazioni di pericolo.

⚠ Verificare che la spina di alimentazione rimanga accessibile dopo l'installazione.

⚠ Se l'apparecchio è dotato di aperture di ventilazione nella base, si raccomanda di non coprirle, ad esempio con un tappeto.

⚠ Non utilizzare getti d'acqua ad alta pressione e/o vapore per pulire l'apparecchio.

Uso consentito

⚠ Non usare l'apparecchio in ambienti esterni.

⚠ Non rimuovere i piatti dalla lavastoviglie fino al termine del programma di lavaggio. Sui piatti potrebbe rimanere del detersivo.

⚠ Non riporre oggetti o esercitare pressione sullo sportello aperto dell'apparecchio.

⚠ Non collocare prodotti infiammabili o oggetti bagnati con prodotti infiammabili al suo interno o nelle immediate vicinanze.

⚠ Non bere e non giocare con l'acqua contenuta nella lavastoviglie.

⚠ Aprendo lo sportello della lavastoviglie quando il programma di lavaggio è in esecuzione, potrebbe fuoriuscire del vapore caldo.

Istruzioni per la sicurezza

Installazione

⚠ **Avvertenza!** Questo apparecchio può essere installato unicamente da personale qualificato. Per l'installazione sono necessarie 2 persone.

- Rimuovere tutto il materiale di imballaggio e i bulloni di fissaggio utilizzati per il trasporto.
- Non installare o utilizzare l'apparecchio se è danneggiato.
- Non installare o utilizzare l'apparecchio in ambienti con una temperatura inferiore a 0 °C.
- Seguire le istruzioni di installazione fornite con l'apparecchio.
- Prestare sempre la massima attenzione quando occorre spostare l'apparecchio, poiché è molto pesante. Indossare sempre guanti e scarpe di protezione.
- Assicurarsi che l'apparecchio venga installato sotto o in prossimità di strutture sicure.

⚠ **Avvertenza!** Non utilizzare l'apparecchio prima di averlo correttamente installato nella struttura ad incasso. L'apparecchio deve essere scollegato dall'alimentazione prima di qualsiasi operazione di installazione, poiché vi è il rischio di scosse elettriche.

Collegamento elettrico

⚠ **Avvertenza!** Rischio di incendio e scosse elettriche.

⚠ **Avvertenza!** Durante il posizionamento dell'apparecchio, assicurarsi che il cavo di alimentazione non venga bloccato o non sia danneggiato.

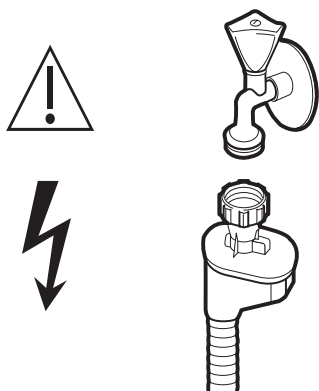
⚠ **Avvertenza!** Non utilizzare prese multiple e prolunghe.

⚠ **Avvertenza!** Non tagliare, rimuovere o bypassare in nessun caso il polo di messa a terra.

- L'apparecchio deve disporre di una messa a terra.
- Assicurarsi che i parametri riportati sulla targa di identificazione dell'apparecchio siano compatibili con i valori elettrici nominali dell'alimentazione di rete.
- Utilizzare sempre una presa elettrica con contatto di protezione correttamente installata.
- Accertarsi di non danneggiare i componenti elettrici (ad es. la spina di alimentazione, il cavo di alimentazione). Contattare il centro assistenza autorizzato per la sostituzione dei componenti elettrici.
- Collegare la spina di alimentazione alla presa solo al termine dell'installazione. Verificare che la spina di alimentazione rimanga accessibile dopo l'installazione.
- Non tirare il cavo di alimentazione per scollegare l'apparecchio. Afferrare sempre la spina.
- Questo apparecchio è conforme alle direttive CEE.
- Solo per il Regno Unito e l'Irlanda: Questo apparecchio è dotato di una spina di rete da 13 A. Nel caso in cui sia necessario sostituire il fusibile della spina di alimentazione, utilizzare unicamente un fusibile ASTA (BS 1362) da 13 A.

Collegamento alla rete idrica

- Fare attenzione a non danneggiare i tubi dell'acqua.
- Prima di collegare i nuovi tubi, nei tubi rimasti inutilizzati per lungo tempo o sui quali sono state eseguite riparazioni o ai quali sono stati collegati nuovi dispositivi (contatori dell'acqua, ecc.), lasciar scorrere l'acqua fino a quando fuoriesce acqua pulita.
- Assicurarsi che non vi siano perdite visibili durante e dopo il primo utilizzo dell'apparecchio.
- Il tubo di ingresso dell'acqua è dotato di una valvola di sicurezza e di una guaina all'interno della quale passa il cavo di corrente.



⚠ **Avvertenza!** Tensione pericolosa.

- Se il tubo di ingresso dell'acqua è danneggiato, chiudere immediatamente il rubinetto dell'acqua e scollegare la spina dalla presa di alimentazione. Contattare il centro assistenza autorizzato per la sostituzione del tubo di ingresso dell'acqua.

⚠ **Avvertenza!** Rischio di lesioni, scottature o scosse elettriche.

- Non utilizzare sapone, detersivi per lavatrice o detersivi per il lavaggio a mano nella lavastoviglie.
- Il detersivo per lavastoviglie è corrosivo! Tenere il prodotto fuori dalla portata dei bambini.
- Non bere e non giocare con l'acqua contenuta nella lavastoviglie.
- Il detersivo per lavastoviglie è corrosivo! Tenere il prodotto fuori dalla portata dei bambini.
- Non rimuovere i piatti dalla lavastoviglie fino al termine del programma di lavaggio. Sui piatti potrebbe rimanere del detersivo.
- Aprendo lo sportello della lavastoviglie quando il programma di lavaggio è in esecuzione, potrebbe fuoriuscire del vapore caldo.
- Non collocare prodotti infiammabili o oggetti bagnati con prodotti infiammabili al suo interno o nelle immediate vicinanze.

Manutenzione

- Per riparare l'apparecchio, contattare un centro assistenza autorizzato.
- Utilizzare solo pezzi di ricambio originali.

Smaltimento

Avvertenza! Rischio di lesioni o soffocamento.

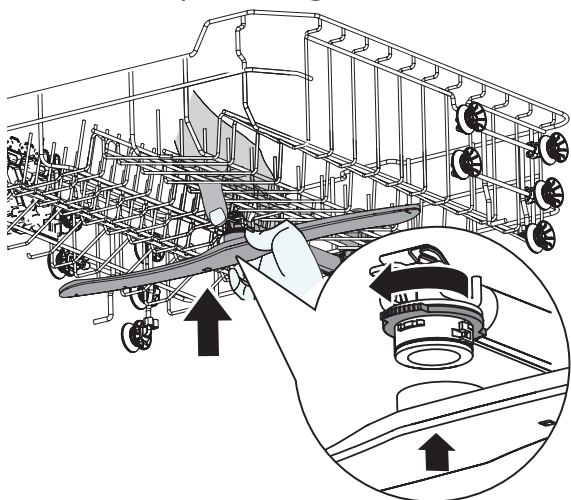
- Scollegare la spina dall'alimentazione di rete.
- Scollegare il cavo di rete e smaltirlo adeguatamente.
- Rimuovere lo sportello per evitare che bambini e animali domestici rimangano chiusi all'interno dell'apparecchio.

Manutenzione e pulizia

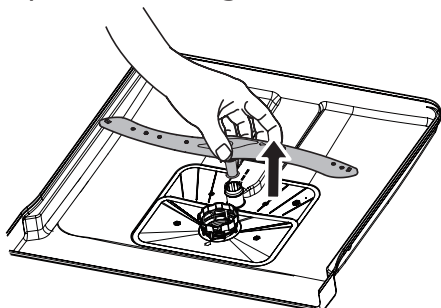
- ⚠ **Avvertenza!** Prima di procedere alla manutenzione, spegnere l'apparecchio e scollegare la spina dalla presa di alimentazione principale.

- ⓘ I filtri sporchi e i bracci irroratori eventualmente intasati riducono l'efficienza del lavaggio. Controllarli regolarmente e pulirli, se necessario.

1. Risciacquare entrambi i bracci irroratori sotto l'acqua corrente.
Utilizzare un oggetto appuntito sottile (ad es. uno stuzzicadenti) per rimuovere lo sporco dai fori dei bracci irroratori.
2. Terminata la pulizia, riposizionare i bracci. Per fissare il braccio irroratore superiore, allineare il centro del braccio con il foro del dado, inserire il dado e ruotarlo in senso orario per stringerlo.



Per fissare il braccio irroratore inferiore alla base della lavastoviglie, rimettere il braccio nella sua posizione originale.



Pulizia esterna

- Pulire l'apparecchio con un panno umido e morbido.
- Utilizzare solo detergenti neutri.
- Non utilizzare spugne, prodotti o solventi abrasivi.

Pulizia interna

- Pulire accuratamente la lavastoviglie, comprese le guarnizioni in gomma dello sportello, con un panno morbido e umido.
- Per garantire sempre le massime prestazioni, utilizzare un prodotto detergente specifico per lavastoviglie almeno una volta al mese. Seguire attentamente le istruzioni riportate sulla confezione del prodotto.
- Non utilizzare spugne o prodotti abrasivi, utensili appuntiti, prodotti chimici aggressivi, pagliette o solventi.
- Se si eseguono abitualmente programmi di lavaggio brevi, il grasso e il calcare possono accumularsi all'interno della lavastoviglie.

Eseguire i programmi di lavaggio più lunghi almeno due volte al mese per evitare questo problema.

Consigli per la salvaguardia dell'ambiente

AVVERTENZE DI SICUREZZA


⚠ I detersivi per lavastoviglie sono pericolosi. Attenersi alle istruzioni riportate sulla confezione del detersivo.

⚠ Scollegare la spina dall'alimentazione di rete. Scollegare il cavo di alimentazione di rete dall'apparecchio e procedere allo smaltimento. Rimuovere il fermo dello sportello, per evitare che bambini e animali domestici rimangano chiusi all'interno dell'apparecchio.

SMALTIMENTO DEI MATERIALI DI IMBALLAGGIO

Riciclare i materiali contrassegnati con il simbolo ♻. Riporre le confezioni negli appositi contenitori per il riciclo.


SMALTIMENTO DEGLI ELETTRODOMESTICI

Questo apparecchio è realizzato a partire da materiali riciclabili o riutilizzabili. È vietato smaltire le apparecchiature che riportano il simbolo  insieme ai normali rifiuti domestici. Restituire l'articolo al rivenditore locale o al punto di raccolta, in conformità con la legislazione locale, oppure contattare le autorità comunali competenti per ottenere ulteriori informazioni.

Al fine di preservare le risorse, assicurarsi che le apparecchiature elettriche ed elettroniche, le parti o i materiali scartati siano riutilizzati o riciclati in conformità con la direttiva 2012/19/UE sui Rifiuti da Apparecchiature Elettriche ed Elettroniche (RAEE).

Alcuni materiali e sostanze presenti in alcune AEE dismesse possono avere un impatto negativo sull'ambiente e sulla salute dell'uomo. Questo prodotto non contiene sostanze pericolose come specificato dalla direttiva 2011/65/UE sulla restrizione dell'uso di determinate sostanze pericolose nelle apparecchiature elettriche ed elettroniche e relativi emendamenti; tuttavia, può contenere sostanze estremamente problematiche (SVHC), ai sensi del Regolamento REACH CE n. 1907/2006.

MANUTENZIONE E PEZZI DI RICAMBIO

 Per riparare l'apparecchio, contattare il centro assistenza autorizzato. Utilizzare solo pezzi di ricambio originali. L'auto-riparazione o una riparazione non eseguita da personale esperto può avere conseguenze sulla sicurezza e può annullare la garanzia.

Successivamente alla messa fuori produzione del modello, i seguenti pezzi di ricambio saranno disponibili per 7 anni: motore, pompa di circolazione e di scarico, riscaldatori ed elementi di riscaldamento, comprese le pompe di calore, tubazioni e relative attrezzature, compresi tutti i tubi, le valvole, i filtri e i sistemi acquastop, parti strutturali e interne del gruppo dello sportello, circuiti stampati, display elettronici, pressostati, termostati e sensori, software e firmware, compreso il software di

reset. Si prega di notare che alcuni di questi pezzi di ricambio sono disponibili solo per il personale esperto addetto alle riparazioni e che non tutti i pezzi di ricambio si applicano a tutti i modelli.

Successivamente alla messa fuori produzione del modello, i seguenti pezzi di ricambio saranno disponibili per 10 anni: cerniere e guarnizioni dello sportello, altre guarnizioni, bracci irroratori, filtri di scarico, ripiani interni e accessori in plastica, come ad esempio cestelli e coperture.

CONSIGLI UTILI PER RISPARMIARE ENERGIA

Lavare le stoviglie nella lavastoviglie secondo le istruzioni del manuale dell'utente; l'uso della lavastoviglie di solito riduce i consumi di acqua ed energia rispetto al lavaggio a mano. Caricare la lavastoviglie al massimo della sua capacità per risparmiare acqua ed energia. Per ottenere risultati di lavaggio ottimali, disporre gli articoli nei cestelli come indicato nelle istruzioni per l'uso e non sovraccaricare i cestelli.

Non occorre pre-risciacquare i piatti a mano. Ciò aumenta il consumo di acqua e di energia. Se necessario, selezionare un programma con una fase di prelavaggio. Rimuovere i residui di cibo più grandi dalle stoviglie e svuotare tazze e bicchieri prima di inserirli nell'apparecchio. Immergere o pulire leggermente le pentole con cibi attaccati.

Assicurarsi che gli oggetti nel cestello non si tocchino o non si coprano l'un l'altro. Solo in questo modo l'acqua può raggiungere e lavare completamente le stoviglie.

Selezionare un programma in funzione del tipo di carico e del grado di sporco. Il programma ECO garantisce un uso più efficiente dell'acqua e riduce il consumo di energia.

Garanzia IKEA

Quanto dura la garanzia IKEA?

La presente garanzia è valida per 5 anni a partire dalla data di acquisto. Lo scontrino originale è richiesto come prova di acquisto. Eventuali interventi di assistenza effettuati durante il periodo di garanzia non comporteranno l'estensione della validità della garanzia.

Chi fornisce il servizio?

Il fornitore di servizi IKEA fornirà questo servizio attraverso il proprio servizio assistenza o una rete di partner autorizzati.

Cosa copre questa garanzia?

La garanzia copre i difetti dell'apparecchio causati da vizi di fabbricazione (difetti funzionali), a partire dalla data di acquisto/consegna dello stesso apparecchio. Questa garanzia è applicabile solo all'uso domestico. Eventuali eccezioni sono descritte alla voce "Cosa non è coperto dalla garanzia?". Durante il periodo di validità della garanzia, saranno coperti tutti i costi di riparazione, inclusi ad esempio pezzi di ricambio, manodopera e trasferte del personale tecnico, fermo restando che l'accesso all'apparecchio per l'intervento di riparazione non comporti spese particolari. In simili condizioni, si applicano le linee guida UE (N. 99/44/CE) e le rispettive normative locali. I componenti sostituiti diventano proprietà di IKEA.

Come interverrà IKEA per risolvere il problema?

Il fornitore di servizi nominato da IKEA esaminerà il prodotto e deciderà, a sua esclusiva discrezione, se è coperto dalla garanzia. Se l'apparecchio è coperto dalla garanzia, il fornitore di servizi IKEA deciderà a sua sola discrezione se riparare il prodotto difettoso o sostituirlo con un altro prodotto uguale o con uno simile.

Cosa non è coperto dalla garanzia?

- Normale usura.
- Danni provocati deliberatamente o danni provocati dalla mancata osservanza delle istruzioni di funzionamento, da un'installazione non corretta o in seguito al collegamento ad una tensione errata; danni provocati da reazioni chimiche o elettrochimiche, ruggine, corrosione o danni causati da acqua, inclusi, in via esemplificativa, i danni causati da una quantità eccessiva di calcare nelle condutture idriche; infine, danni causati da eventi atmosferici e naturali.
- Le parti soggette ad usura, incluse batterie e lampadine.
- Danni a parti non funzionali e decorative che non influiscono sul normale uso dell'apparecchio, inclusi graffi e differenze di colore.
- Danni accidentali causati da corpi o sostanze estranee e danni causati da pulizia o eliminazione di ostruzioni da filtri, sistemi di scarico o cassette del detersivo.
- Danni ai seguenti componenti: vetroceramica, accessori, cestelli per posate e stoviglie, tubi di alimentazione e di scarico, guarnizioni, lampadine e copri lampadine, griglie, manopole, rivestimenti e parti del rivestimento. A meno che non si possa provare che tali danni siano stati causati da errori di fabbricazione.

- Casi in cui non è stato riscontrato alcun guasto durante l'intervento del tecnico.
- Riparazioni non eseguite dal nostro servizio assistenza autorizzato e/o da un partner contrattuale di assistenza autorizzato o in caso di uso di ricambi non originali.
- Riparazioni necessarie in seguito ad un'installazione non corretta o non conforme alle specifiche.
- Casi di uso improprio e/o non domestico dell'apparecchio, ad es. un uso professionale.
- Danni derivanti dal trasporto. Se il cliente trasporta il prodotto a casa propria o a un altro indirizzo, IKEA non è responsabile di eventuali danni che possono verificarsi durante il trasporto. Tuttavia, se IKEA consegna il prodotto all'indirizzo di consegna del cliente, gli eventuali danni al prodotto che si verificano durante la consegna saranno coperti dalla garanzia.
- Costi inerenti la prima installazione dell'apparecchio IKEA. Tuttavia, se un fornitore di servizi IKEA o un suo partner di assistenza autorizzato ripara o sostituisce l'apparecchio in base ai termini della presente garanzia, lo stesso fornitore di servizi o il partner di assistenza autorizzato dovrà reinstallare l'apparecchio riparato o installare un apparecchio sostitutivo, se necessario.

Questa limitazione non si applica ai lavori eseguiti correttamente da uno specialista qualificato che utilizza i nostri pezzi di ricambio originali per adattare l'apparecchio alle specifiche tecniche di sicurezza di un altro paese dell'UE.

Applicazione delle leggi nazionali

La garanzia IKEA definisce diritti legali specifici, che coprono o sostituiscono i requisiti locali. Tali condizioni non limitano tuttavia in alcun modo i diritti del consumatore definiti dalle leggi locali.

Ambito di validità

Per gli elettrodomestici acquistati in un paese europeo e trasferiti in un altro paese europeo, i servizi saranno forniti in base alle condizioni di garanzia applicabili nel nuovo paese.

L'obbligo di fornire il servizio in base alle condizioni della garanzia esiste solo se l'apparecchio è conforme ed è installato secondo:

- le specifiche tecniche del paese in cui viene richiesta l'applicazione della garanzia;
- le informazioni sulla sicurezza contenute nelle istruzioni di assemblaggio e nel manuale dell'utente.

Servizio assistenza dedicato per gli elettrodomestici IKEA:

Non esitare a contattare il servizio assistenza IKEA per:

1. richiedere assistenza tecnica ai sensi della garanzia;
2. chiedere chiarimenti in merito all'installazione di un elettrodomestico come parte di una cucina dedicata IKEA. Il servizio assistenza non fornirà chiarimenti in merito a:
 - l'installazione generale di una cucina IKEA;
 - i collegamenti alla linea elettrica (se l'elettrodomestico viene fornito senza spina e cavo), idrica e al gas, poiché devono essere eseguiti da un tecnico dell'assistenza autorizzato.
3. Chiedere chiarimenti sul contenuto del manuale dell'utente e sulle specifiche dell'elettrodomestico IKEA.

Per assicurarvi la migliore assistenza, vi preghiamo di leggere attentamente le istruzioni di assemblaggio e/o la sezione corrispondente del manuale dell'utente, prima di contattarci.

Come contattarci se avete bisogno di assistenza



Fare riferimento all'ultima pagina del presente manuale per un elenco completo dei fornitori autorizzati IKEA e i relativi numeri di telefono nazionali.

i Al fine di fornirvi un servizio più rapido, vi chiediamo di utilizzare i numeri di telefono specifici elencati alla fine di questo manuale. Fare sempre riferimento ai numeri elencati nel libretto specifico dell'apparecchio per il quale si richiede l'assistenza. Prima di contattarci, assicuratevi di avere a portata di mano il codice prodotto IKEA (codice a 8 cifre) e il numero di serie (codice a 8 cifre che si trova sulla targhetta di identificazione) dell'apparecchio per il quale si richiede assistenza.

i **CONSERVARE LO SCONTRINO FISCALE!**
Lo scontrino è la prova del vostro acquisto ed è necessario esibirlo affinché la garanzia sia valida. Sullo scontrino sono riportati anche il nome e il codice prodotto IKEA (8 cifre) per ogni apparecchio acquistato.

Avete bisogno di ulteriore aiuto?

Per qualsiasi altra domanda che non riguardi il servizio post-vendita degli apparecchi, si prega di contattare il call center del negozio IKEA più vicino. Si raccomanda inoltre di leggere attentamente la documentazione fornita con l'apparecchio prima di contattarci.

Country	Phone Number	Call Fee	Opening Time (Mon-Fri)
Deutschland	08007242420	Kostenlos	8am - 5pm
France	0805543333	Gratuit	8.30 am – 7.00 pm (lun-ven) 8.30 am – 1.00 pm (sam)
Italia	800130373	Gratuito	9am-6pm
España	900822398	Gratis	9am-6pm
Ελλάδα	0080044146128 (+30)21 6860020	Χωρίς χρέωση	9am-6pm
България	0 700 10 218	Безплатно	9.00 – 18.00 ч. (пон. - пет.)
Nederland	Local(within NL): 050-7111267 International: +31 507111267	Gratis	Ma-Vr 8-20, Za 9-20
Sverige	0775700500	Kostnadsfritt	mån-fre 8.30 - 20.00 lör-sön 9.30 - 18.00
Österreich	0800909626	Kostenlos	9am-5pm
Danmark	70 15 09 09	Gratis	man. - fre. 09.00 - 20.00 lør. - søn. 09.00 - 18.00
Norge	80031407	Gratis	9.00 am – 4.00 pm
Polska	800012088	Bezpłatne	9am-5pm
Portugal	800210151	Gratuita	9am-6pm
Česká republika	800050717	Zdarma	9am-5pm
Suomi	0800302588	Maksuton	9.00 am – 4.00 pm
Magyarország	0680984517	Ingyenes	9am-5pm
Россия	88005510448	Бесплатно	9am-6pm
Slovensko	(+42)1415623915	Bezpłatne	9.00 – 18.00 (pondelok – piatok)
Latvija	(+371)67717065	Bezmaksas	9.00 – 18.00 (P – Pk)
Eesti	(+372)6366525	Tasuta	9.00 – 18.00 (E–R)
Lietuva	(+370)67641956	Nemokamai	9.00 – 18.00 (Pr–Pn)
United Kingdom	08009175827	free	9am till 5pm
Ireland		free	9am till 5pm
Schweiz	0800110344	Kostenlos	8am - 5pm
Suisse		Gratuit	8am - 5pm
Svizzera		Gratuito	8am - 5pm
Србија	IKEA.com	Besplatno	
Ísland	IKEA.com	Ókeypis	
România	IKEA.com	Gratuit	
Hrvatska	IKEA.com	Ne naplaćuje se	
Slovenija	IKEA.com	Brezplačno	
Tenerife	IKEA.com	Gratis	

