

# KÖLDGRADER

en

de



Design and Quality  
IKEA of Sweden



### **ENGLISH**

Please refer to the last page of this manual for the full list of IKEA appointed After Sales Service Provider and relative national phone numbers.



### **DEUTSCH**

Auf der letzten Seite dieser Broschüre finden Sie eine vollständige Liste der offiziellen IKEA After-Sales-Dienstleister mit den jeweiligen nationalen Telefonnummern.

**ENGLISH**

**4**

**DEUTSCH**

**34**

**Contents**

Safety information	4	Care and cleaning	24
Safety instructions	6	Troubleshooting	24
Installation	8	Noises	29
Product description	12	Technical data	29
Control panel	13	Information for test institutes	31
First use	16	Environmental concerns	31
Daily use	17	IKEA guarantee	31
Hints and tips	21		

Subject to change without notice.

 **Safety information**

Before the installation and use of the appliance, carefully read the supplied instructions. The manufacturer is not responsible for any injuries or damage that are the result of incorrect installation or usage. Always keep the instructions in a safe and accessible location for future reference.

**Children and vulnerable people safety**

- This appliance can be used by children aged from 8 years and above and persons with reduced physical, sensory or mental capabilities or lack of experience and knowledge if they have been given supervision or instruction concerning the use of the appliance in a safe way and understand the hazards involved.
- Children aged from 3 to 8 years are allowed to load and unload the appliance provided that they have been properly instructed.
- This appliance may be used by persons with very extensive and complex disabilities provided that they have been properly instructed.
- Children of less than 3 years of age should be kept away from the appliance unless continuously supervised.

- Children should be supervised to ensure that they do not play with the appliance.
- Children shall not carry out cleaning and user maintenance of the appliance without supervision.
- Keep all packaging away from children and dispose of it appropriately.


## General Safety

- This appliance is for storing food and beverages only.
- This appliance is designed for single household domestic use in an indoor environment.
- This appliance may be used in, offices, hotel guest rooms, bed & breakfast guest rooms, farm guest houses and other similar accommodation where such use does not exceed (average) domestic usage levels.
- To avoid contamination of food respect the following instructions:
  - do not open the door for long periods;
  - clean regularly surfaces that can come in contact with food and accessible drainage systems;
  - store raw meat and fish in suitable containers in the refrigerator, so that it is not in contact with or drip onto other food.
- **WARNING:** Keep ventilation openings, in the appliance enclosure or in the built-in structure, clear of obstruction.
- **WARNING:** Do not use mechanical devices or other means to accelerate the defrosting process, other than those recommended by the manufacturer.
- **WARNING:** Do not damage the refrigerant circuit.
- **WARNING:** Do not use electrical appliances inside the food storage compartments of the appliance, unless they are of the type recommended by the manufacturer.
- Do not use water spray and steam to clean the appliance.

- Clean the appliance with a moist soft cloth. Only use neutral detergents. Do not use abrasive products, abrasive cleaning pads, solvents or metal objects.
- When the appliance is empty for long period, switch it off, defrost, clean, dry and leave the door open to prevent mould from developing within the appliance.
- Do not store explosive substances such as aerosol cans with a flammable propellant in this appliance.
- If the supply cord is damaged, it must be replaced by the manufacturer, its Authorised Service Centre or similarly qualified persons in order to avoid a hazard.

## Safety instructions


### Installation


 **Warning!** Only a qualified person must install this appliance.


- Remove all the packaging.
- Do not install or use a damaged appliance.
- Do not use the appliance before installing it in the built-in structure due to safety manner.
- Follow the installation instructions supplied with the appliance.
- Always take care when moving the appliance as it is heavy. Always use safety gloves and enclosed footwear.
- Make sure the air can circulate around the appliance.
- At first installation or after reversing the door wait at least 4 hours before connecting the appliance to the power supply. This is to allow the oil to flow back in the compressor.
- Before carrying out any operations on the appliance (e.g. reversing the door), remove the plug from the power socket.
- Do not install the appliance close to radiators or cookers, ovens or hobs.
- Do not expose the appliance to the rain.
- Do not install the appliance where there is direct sunlight.

- Do not install this appliance in areas that are too humid or too cold.
- When you move the appliance, lift it by the front edge to avoid scratching the floor.
- The appliance contains a bag of desiccant. This is not a toy. This is not food. Please dispose of it immediately.

### Electrical connection

 **Warning!** Risk of fire and electric shock.

 **Warning!** When positioning the appliance, ensure the supply cord is not trapped or damaged.

 **Warning!** Do not use multi-plug adapters and extension cables.

- The appliance must be earthed.
- Make sure that the parameters on the rating plate are compatible with the electrical ratings of the mains power supply.
- Always use a correctly installed shockproof socket.
- Make sure not to cause damage to the electrical components (e.g. mains plug, mains cable, compressor). Contact the

Authorised Service Centre or an electrician to change the electrical components.

- The mains cable must stay below the level of the mains plug.
- Connect the mains plug to the mains socket only at the end of the installation. Make sure that there is access to the mains plug after the installation.
- Do not pull the mains cable to disconnect the appliance. Always pull the mains plug.

**Use**



**Warning!** Risk of injury, burns, electric shock or fire.



The appliance contains flammable gas, isobutane (R600a), a natural gas with a high level of environmental compatibility. Be careful not to cause damage to the refrigerant circuit containing isobutane.

- Do not change the specification of this appliance.
- Any use of the built-in product as free-standing is strictly prohibited.
- Do not put electrical appliances (e.g. ice cream makers) in the appliance unless they are stated applicable by the manufacturer.
- If damage occurs to the refrigerant circuit, make sure that there are no flames and sources of ignition in the room. Ventilate the room.
- Do not let hot items to touch the plastic parts of the appliance.
- Do not put soft drinks in the freezer compartment. This will create pressure on the drink container.
- Do not store flammable gas and liquid in the appliance.
- Do not put flammable products or items that are wet with flammable products in, near or on the appliance.
- Do not touch the compressor or the condenser. They are hot.
- Do not remove or touch items from the freezer compartment if your hands are wet or damp.

- Do not freeze again food that has been thawed.
- Follow the storage instructions on the packaging of frozen food.
- Wrap the food in any food contact material before putting it in the freezer compartment.

**Internal lighting**



**Warning!** Risk of electric shock.

- This product contains one or more light sources of energy efficiency class F.
- Concerning the lamp(s) inside this product and spare part lamps sold separately: These lamps are intended to withstand extreme physical conditions in household appliances, such as temperature, vibration, humidity, or are intended to signal information about the operational status of the appliance. They are not intended to be used in other applications and are not suitable for household room illumination.

**Care and cleaning**



**Warning!** Risk of injury or damage to the appliance.

- Before maintenance, deactivate the appliance and disconnect the mains plug from the mains socket.
- This appliance contains hydrocarbons in the cooling unit. Only a qualified person must do the maintenance and the recharging of the unit.
- Regularly examine the drain of the appliance and if necessary, clean it. If the drain is blocked, defrosted water collects in the bottom of the appliance.

**Service**

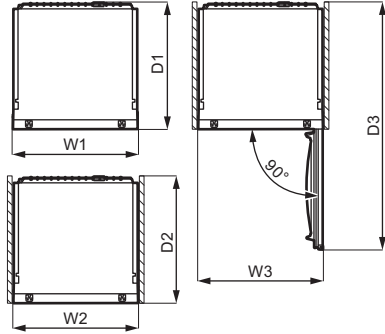
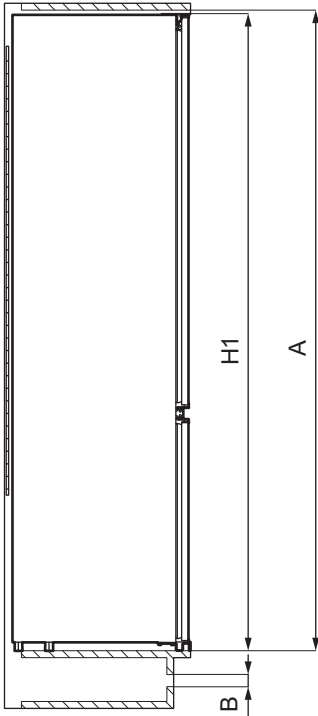
- To repair the appliance contact the Authorised Service Centre. Use original spare parts only.
- Please note that self-repair or non-professional repair can have safety consequences and might void the guarantee.





<b>To check</b>	<b>If the answer is YES</b>	<b>If the answer is NO</b>
Make sure gasket seals all around the door when the door is closed.	No action <input checked="" type="checkbox"/>	Refer to the assembly instruction - door alignment.
Check if there is no collision between parts/furniture while opening and closing the door.	No action <input checked="" type="checkbox"/>	Refer to the assembly instruction - door alignment.
Install the appliance in the built-in structure.	No action <input checked="" type="checkbox"/>	Follow the assembly instruction for the proper installation.
Make sure that at first installation or after reversing the door the appliance stands in vertical position for at least 4 hours before it is connected to the power supply.	No action <input checked="" type="checkbox"/>	Wait 4 hours before connecting the appliance to the power supply.

Dimensions



Overall dimensions <sup>1</sup>		
H1	mm	1884
W1	mm	546
D1	mm	549

<sup>1</sup> the height, width and depth of the appliance without the handle

Space required in use <sup>2</sup>		
H2 (A+B)	mm	1936
W2	mm	546
D2	mm	551

Space required in use <sup>2</sup>		
A	mm	1894
B	mm	36

<sup>2</sup> the height, width and depth of the appliance including the handle, plus the space necessary for free circulation of the cooling air

Overall space required in use <sup>3</sup>		
H3 (A+B)	mm	1936
W3	mm	546
D3	mm	1068




<sup>3</sup> the height, width and depth of the appliance including the handle, plus the space necessary for free circulation of the cooling air, plus the space necessary to allow door opening to the minimum angle permitting removal of all internal equipment

**Location**

To ensure appliance's best functionality, you should not install the appliance in the nearby of the heat source (oven, stoves, radiators, cookers or hobs) or in a place with direct sunlight. Make sure that air can circulate freely around the back of the cabinet.

This appliance should be installed in a dry, well ventilated indoor position.

This appliance is intended to be used at ambient temperature ranging from 10°C to 43°C.

-  The correct operation of the appliance can only be guaranteed within the specified temperature range.
-  If you have any doubts regarding where to install the appliance, please turn to the vendor, to our customer service or to the nearest Authorised Service Centre.
-  It must be possible to disconnect the appliance from the mains power supply. The plug must therefore be easily accessible after installation.

**Electrical connection**

Before plugging in, ensure that the voltage and frequency shown on the rating plate correspond to your domestic power supply.

The appliance must be earthed. The power supply cable plug is provided with a contact for this purpose. If the domestic power

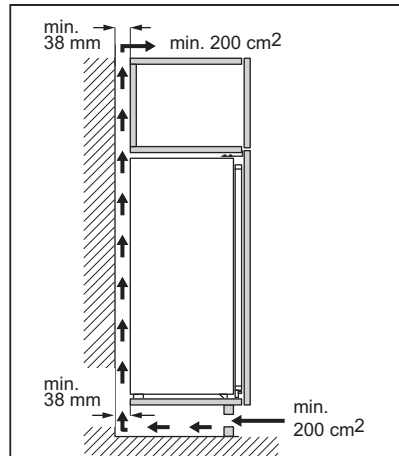
supply socket is not earthed, connect the appliance to a separate earth in compliance with current regulations, consulting a qualified electrician.


The manufacturer declines all responsibility if the above safety precautions are not observed.

This appliance complies with the E.E.C. Directives.

**Ventilation requirements**


The airflow behind the appliance must be sufficient.



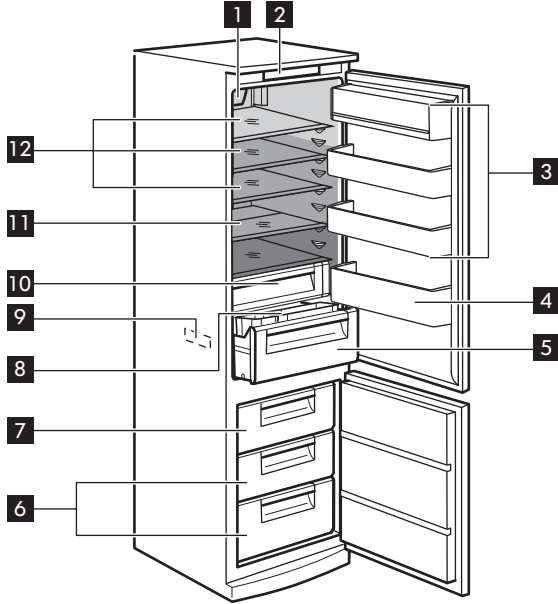
 **Caution!** Refer to the installation instructions for the installation.

**Door reversibility**

Please refer to the separate document with instructions on installation and door reversal.

 **Caution!** At every stage of reversing the door protect the floor from scratching with a durable material.

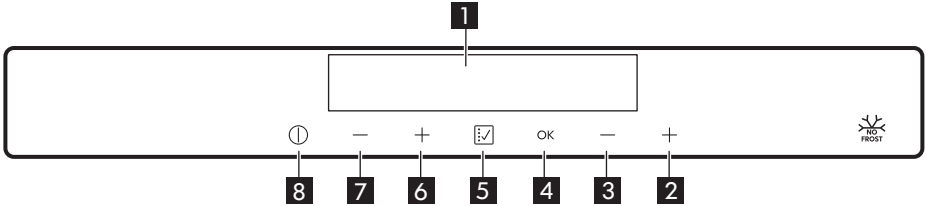
**Product description**



- 1** Fan-cooling with LED lamp
- 2** Control panel
- 3** Door balconies
- 4** Bottle balcony
- 5** Vegetable drawer
- 6** Freezer drawers
- 7** Freezing drawer
- 8** Sliding shelf with containers
- 9** Rating plate

- 10** Extra Zone
- 11** Extendable half-shelf
- 12** Glass shelves
- Least cold zone
- Intermediate temperature zone
- Coldest zone

# Control panel



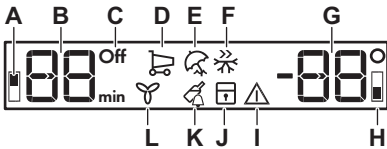
- 1** Display
- 2** Freezer temperature warmer button
- 3** Freezer temperature colder button
- 4** OK button
- 5** Function button

- 6** Fridge temperature warmer button
- 7** Fridge temperature colder button
- 8** ON/OFF button

To change the default sound of the buttons, press simultaneously **5** Function button and **7** Fridge temperature colder button for

a few seconds. To revert the change, repeat the procedure.

## Display




- A.** Fridge compartment indicator
- B.** Fridge temperature indicator and timer indicator
- C.** Fridge Off indicator
- D.** Shopping Function indicator
- E.** Vacation Function indicator
- F.** Fast Freezing Function indicator
- G.** Fridge temperature indicator
- H.** Freezer compartment indicator
- I.** Alarm indicator
- J.** Child Lock Function indicator
- K.** Bottle Chill Function indicator
- L.** Fan-cooling Function indicator

## Switching on

1. Connect the mains plug to the power socket.

2. Press the **8** ON/OFF button if the display is off.  
The temperature indicators show the set default temperature.

-  To select a different set temperature refer to "Temperature regulation".

If "DEMO" appears on the display, the appliance is in demonstration mode. Refer to "Troubleshooting".

### Switching off

Press **8** ON/OFF button for 3 seconds. The display switches off.

To disconnect the appliance from the power, disconnect the mains plug from the power socket.

### Switching on the fridge

1. Press one of the fridge temperature buttons.
- Or:

1. Tap the **5** Function button repeatedly until the fridge Off indicator blinks.
2. Press the **4** OK button to confirm.
3. The fridge Off indicator goes off. To select a different set temperature refer to "Temperature regulation".

### Switching off the fridge

It is possible to switch off only the fridge compartment maintaining the freezer on.

1. Tap the **5** Function button repeatedly until the fridge compartment indicator blinks.

The fridge Off indicator and the fridge compartment indicator blink.

The fridge temperature indicator shows dashes.

2. Press the **4** OK button to confirm. The fridge Off indicator is shown and the fridge compartment is switched off.

### Temperature regulation


Set the temperature of the appliance by pressing the temperature regulators  $\pm$ . Recommended set temperature is:

- +4°C for the fridge

- -18°C for the freezer

The temperature range may vary between -15°C and -24°C for freezer and between 2°C and 8°C for fridge.

The temperature indicators show the set temperature.

-  The set temperature will be reached within 24 hours. After a power failure the set temperature remains stored.

### Shopping Function

If you need to insert in the fridge compartment a large amount of warm food, for example after doing the grocery shopping, we suggest activating the Shopping Function to chill the products more rapidly and to avoid warming the other food which is already in the refrigerator.

1. Press **5** Function button until the Shopping indicator blinks.
2. Press **4** OK button to confirm. The Shopping indicator is shown. The fan activates automatically for the function duration.

The Shopping Function stops automatically after approximately 6 hours.

You can deactivate the Shopping Function before its automatic end by repeating the procedure until the Shopping indicator turns off or by pressing **6**, **7** temperature buttons and setting a different fridge temperature.

### Vacation Function

This function allows you to keep the fridge compartment empty during a long holiday period reducing the formation of bad odours while the freezer compartment can work normally.

-  The fridge compartment must be empty with Vacation Function on.

1. Press **5** Function button until the Vacation indicator blinks.

The fridge temperature indicator shows the set temperature.

2. Press **4** OK button to confirm.  
The Vacation indicator is shown.

- i** The function switches off after selecting a different fridge temperature.

### Fast Freezing Function

The Fast Freezing Function is used to perform pre-freezing and fast freezing in sequence of freezer compartment. This function accelerates the freezing of fresh food and, at the same time, protects foodstuffs already stored from undesirable warming.

- i** To freeze fresh food activate the Fast Freezing Function at least 24 hours before placing the food to complete pre-freezing.

1. To activate this function press the **5** Function button until the Fast Freezing indicator blinks.  
2. Press **4** OK button to confirm.  
The Fast Freezing indicator is shown.

- i** The Fast Freezing Function stops automatically after 52 hours.

You can deactivate the Fast Freezing Function before its automatic end by repeating the procedure until the Fast Freezing indicator turns off or by pressing **2**, **3** temperature buttons and setting a different freezer temperature.

### Child Lock Function

Activate the Child Lock Function to lock the buttons from unintentional operation.

1. Press **5** Function button until the Child Lock indicator blinks.  
2. Press **4** OK button to confirm.  
The Child Lock indicator is shown.  
To deactivate the Child Lock Function, repeat the procedure until the Child Lock indicator disappears.

### Bottle Chill Function

The Bottle Chill Function can be used to set an acoustic alarm at the preferred time, useful for example when a recipe requires to cool down food products for a certain period of time. It is also useful when a reminder is needed in order not to forget the bottles or cans placed in the freezer for fast cooling.

1. Press **5** Function button until the Bottle Chill indicator blinks.

The Timer shows the set value (30 minutes) for a few seconds.

2. Press the **2**, **3** temperature buttons to change the Timer set value from 1 to 90 minutes.

3. Press **4** OK button to confirm.  
The Bottle Chill indicator is shown.

The Timer starts to blink (min).  
At the end of the countdown the "0 min" indicator blinks and an audible alarm sounds. At that time, remove the products that were put into the appliance to cool down, and press the **4** OK button to switch off the sound and terminate the function.

To switch off the function at any time during the countdown, repeat the procedure until the Bottle Chill indicator disappears.

- i** It is possible to change the time at any time during the countdown and at the end by pressing the **2** and **3** temperature buttons.

### Fan-cooling Function


The refrigerator compartment is equipped with a fan that allows rapid cooling of foods and keeps more uniform temperature in the compartment.

This fan activates automatically when needed or manually.

To switch on the function:

1. Press **5** Function button until the Fan-cooling indicator blinks.  
2. Press **4** OK button to confirm.

The Fan-cooling indicator is shown. To switch off this function repeat the procedure until the Fan-cooling indicator disappears.

-  If the function is activated automatically the Fan-cooling indicator is not shown (refer to "Daily use").  
The activation of the Fan-cooling Function increase the energy consumption.

The fan operates only when the door is closed.

### High temperature alarm


When there is a temperature increase in the freezer compartment (for example due to an earlier power failure), the alarm and freezer temperature indicators flash and the sound is on.

To deactivate the alarm:

1. Press any button.

The sound switches off.


2. The freezer temperature indicator shows the highest temperature reached for a few seconds, then the display shows the set temperature again.

-  The alarm indicator continues to flash until the normal conditions are restored.  
If you do not press any button, the sound switches off automatically after around one hour to avoid disturbing.

### Door open alarm

If the fridge door is left open for approximately 5 minutes, the sound is on and alarm indicator flashes.


The alarm stops after closing the door. During the alarm, the sound can be muted by pressing any button.


-  If you do not press any button, the sound switches off automatically after around one hour to avoid disturbing.

## First use

### Cleaning the interior

Before using the appliance for the first time, the interior and all internal accessories should be washed with lukewarm water and some neutral soap to remove the typical smell of a brand-new product, then dried thoroughly.

-  **Caution!** Do not use detergents, abrasive powders, chlorine or oil-based cleaners as they will damage the finish.

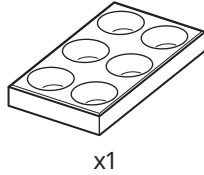
-  **Caution!** The accessories and parts of the appliance are not suitable for washing in a dishwasher.



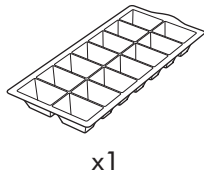
**Daily use**

**Accessories**

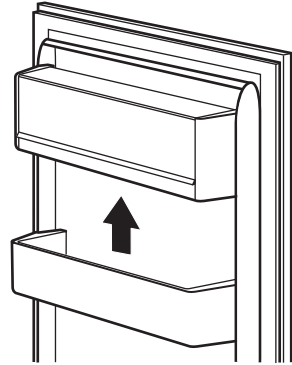
Egg tray



Ice tray



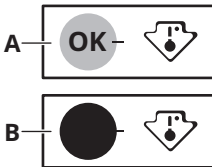
**Positioning the door balconies**



To permit storage of food packages of various sizes, the door balconies can be placed at different heights.

To make these adjustments proceed as follows: gradually pull upwards the balcony until it comes free, then reposition as desired.

**Temperature indicator**

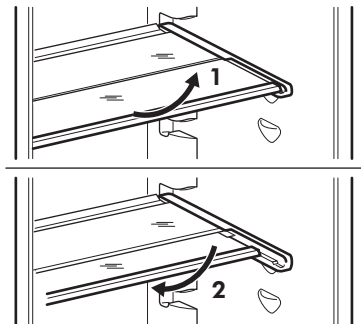


For proper storage of food the refrigerator is equipped with the temperature indicator. The symbol on the side wall of the appliance indicates the coldest area in the refrigerator.

If OK is displayed (A), put fresh food into area indicated by symbol, if not (B), wait at least 12 hours and check if it is OK (A).

If it is still not OK (B), adjust the setting control to a colder setting.

**Movable shelves**



The walls of the refrigerator are equipped with a series of runners so that the shelves can be positioned as desired.

This appliance is also equipped with a shelf consisting of two parts. The front half of the shelf can be placed under the second half to make better use of space.

To fold the shelf:

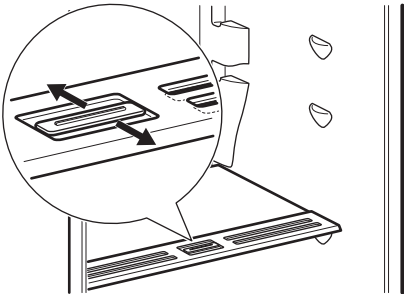
1. Take out the front half gently.
2. Slide it into the lower rail and under the second half.

**⚠ Caution!** Do not move the glass shelves above the vegetable drawer to ensure correct air circulation.

### Humidity control

The glass shelf incorporates a device with slits (adjustable by means of a sliding lever), which makes it possible to regulate the humidity in the vegetable drawer(s).

**i** Do not place any food products on the humidity control device.



When the ventilation slots are closed:  
the natural moisture content of the food in the fruit and vegetable compartments is preserved for longer.

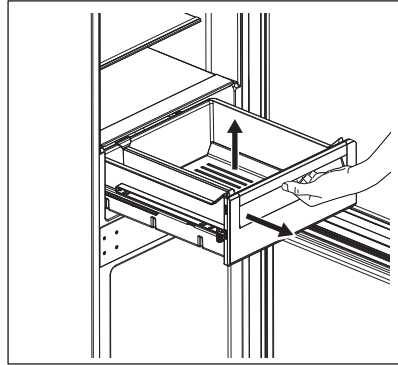
When the ventilation slots are opened:  
more air circulation results in a lower air moisture content in the fruit and vegetable compartments.

### Vegetable drawer

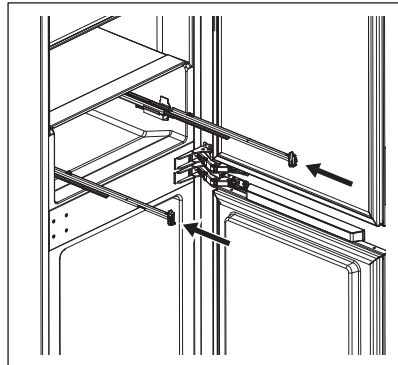
The drawer is suitable for storing fruit and vegetables.

To remove the drawer (e.g. for cleaning):

1. Pull out the drawer and lift it up.

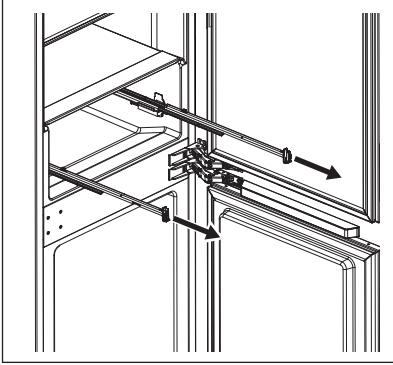


2. Push the rails inside the cabinet to avoid damage to the appliance when closing the door.

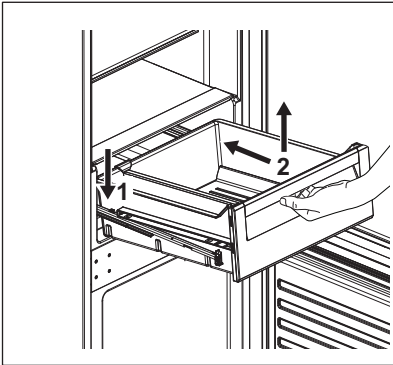


To reassemble:

1. Pull out the rails.



2. Place the rear part of the drawer (1) on the rails.



3. Keep the front of the drawer (2) lifted up while pushing the drawer in.
  4. Press the front part of the drawer downwards.
- i** Pull out the drawer again and check if it is placed correctly on both rear and front hooks.

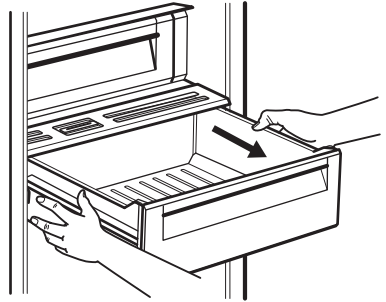
### Sliding shelf

Top of the vegetable drawer is equipped with sliding shelf that houses two removable bins, it can be repositioned according to individual preference for better accessibility. Containers are secured with individual lids to isolate unwanted odours.

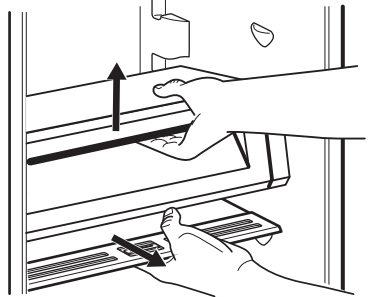
### Removing Extra Zone

To remove the Extra Zone from the fridge cabinet follow the steps below:

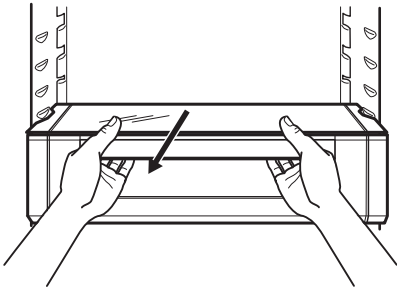
1. Pull out the vegetable drawer from the refrigerator.



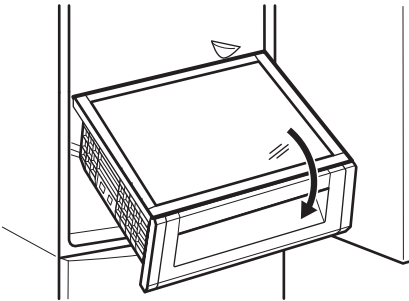
2. Lift the Extra Zone compartment and pull out the glass cover with humidity control from underneath it.



3. Hold the drawer together with the glass cover of the Extra Zone compartment and pull them towards yourself.

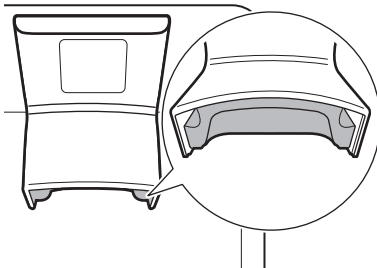


- 4. Tilt the module downwards to remove it from the refrigerator.



**Fan-cooling**

**Warning!** Do not remove the Styrofoam at the bottom of the device.



This device activates automatically when needed.

It is also possible to switch on the device manually when needed (refer to "Fan-cooling Function").

- i** The fan operates only when the door is closed. If the function is activated automatically, you cannot switch it off. The fan will deactivate itself.

**Freezing fresh food**

The freezer compartment is suitable for freezing fresh food and storing frozen and deep-frozen food for a long time.

To freeze fresh food activate the Fast Freezing function at least 24 hours before placing the food to be frozen in the freezer compartment.

Store the fresh food evenly distributed in the first compartment or drawer from the top.

The maximum amount of food that can be frozen without adding other fresh food during 24 hours is specified on the rating plate (a label located inside the appliance).

When the freezing process is complete, the appliance automatically returns to the previous temperature setting (see "Fast Freezing Function").

For more information refer to "Hints for freezing".

**Storage of frozen food**

When activating an appliance for the first time or after a period out of use, before putting the products in the compartment let the appliance run at least 3 hours with the Fast Freezing function switched on.

The freezer drawers ensure that it is quick and easy to find the food package you want. If large quantities of food are to be stored, remove all drawers and place the food on shelves.

Keep the food no closer than 15 mm from the door.

**⚠ Caution!** In the event of accidental defrosting, for example due to a power failure, if the power has been off for longer than the value shown on rating plate under "rising time", the defrosted food must be consumed quickly or cooked immediately then cooled and then re-frozen. Refer to "High temperature alarm".

### Thawing

Deep-frozen or frozen food, prior to being consumed, can be thawed in the refrigerator or inside a plastic bag under cold water.

## Hints and tips

### Hints for energy saving

- Freezer: The internal configuration of the appliance is the one that ensures the most efficient use of energy.
- Fridge: Most efficient use of energy is ensured in the configuration with the drawers in the bottom part of the appliance and shelves evenly distributed. Position of the door bins does not affect energy consumption.
- Do not open the door frequently or leave it open longer than necessary.
- Freezer: The colder the temperature setting, the higher the energy consumption.
- Fridge: Do not set too high temperature to save energy unless it is required by the characteristics of the food.
- If the ambient temperature is high and the temperature control is set to low temperature and the appliance is fully loaded, the compressor may run continuously, causing frost or ice formation on the evaporator. In this case, set the temperature control toward higher temperature to allow automatic defrosting and to save energy this way.
- Ensure a good ventilation. Do not cover the ventilation grilles or holes.

This operation depends on the time available and on the type of food. Small pieces may even be cooked still frozen.

### Ice-cube production

This appliance is equipped with one or more trays for the production of ice-cubes.

- **i** Do not use metallic instruments to remove the trays from the freezer.

1. Fill these trays with water.
2. Put the ice trays in the freezer compartment.

- Make sure that food products inside the appliance allow air circulation through dedicated holes in the rear interior of the appliance.

### Hints for freezing

- Activate Fast Freezing function at least 24 hours before placing the food inside the freezer compartment.
- Before freezing wrap and seal fresh food in: aluminium foil, plastic film or bags, airtight containers with lid.
- For more efficient freezing and thawing divide food into small portions.
- It is recommended to put labels and dates on all your frozen food. This will help to identify foods and to know when they should be used before their deterioration.
- The food should be fresh when being frozen to preserve good quality. Especially fruits and vegetables should be frozen after the harvest to preserve all of their nutrients.
- Do not freeze bottles or cans with liquids, in particular drinks containing carbon dioxide - they may explode during freezing.
- Do not put hot food in the freezer compartment. Cool it down at room

temperature before placing it inside the compartment.

- To avoid increase in temperature of already frozen food, do not place fresh unfrozen food directly next to it. Place food at room temperature in the part of the freezer compartment where there is no frozen food.
- Do not eat ice cubes, water ices or ice lollies immediately after taking them out of the freezer. Risk of frostbites.
- Do not re-freeze defrosted food. If the food has defrosted, cook it, cool it down and then freeze it.

**Hints for storage of frozen food**

- Freezer compartment is the one marked with ❄️ ❄️❄️.
- Good temperature setting that ensures preservation of frozen food products is a temperature less than or equal to -18°C. Higher temperature setting inside the appliance may lead to shorter shelf life.
- The whole freezer compartment is suitable for storage of frozen food products.
- Leave enough space around the food to allow air to circulate freely.

- For adequate storage refer to food packaging label to see the shelf life of food.
- It is important to wrap the food in such a way that prevents water, humidity or condensation from getting inside.

**Shopping tips**

After grocery shopping:

- Ensure that the packaging is not damaged - the food could be deteriorated. If the package is swollen or wet, it might have not been stored in the optimal conditions and defrosting may have already started.
- To limit the defrosting process buy frozen goods at the end of your grocery shopping and transport them in a thermal and insulated cool bag.
- Place the frozen foods immediately in the freezer after coming back from the shop.
- If food has defrosted even partially, do not re-freeze it. Consume it as soon as possible.
- Respect the expiry date and the storage information on the package.

**Shelf life for freezer compartment**


Type of food	Shelf life (months)
Bread	3
Fruits (except citrus)	6 - 12
Vegetables	8 - 10
Leftovers without meat	1 - 2
<b>Dairy food:</b>	
Butter	6 - 9
Soft cheese (e.g. mozzarella)	3 - 4
Hard cheese (e.g. parmesan, cheddar)	6
<b>Seafood:</b>	

Type of food	Shelf life (months)
Fatty fish (e.g. salmon, mackerel)	2 - 3
Lean fish (e.g. cod, flounder)	4 - 6
Shrimps	12
Shucked clams and mussels	3 - 4
Cooked fish	1 - 2
<b>Meat:</b>	
Poultry	9 - 12
Beef	6 - 12
Pork	4 - 6
Lamb	6 - 9
Sausage	1 - 2
Ham	1 - 2
Leftovers with meat	2 - 3

**Hints for fresh food refrigeration**

- Good temperature setting that ensures preservation of fresh food is a temperature less than or equal to +4°C. Higher temperature setting inside the appliance may lead to shorter shelf life of food.
- Cover the food with packaging to preserve its freshness and aroma.
- Always use closed containers for liquids and for food, to avoid flavours or odours in the compartment.
- To avoid the cross-contamination between cooked and raw food, cover the cooked food and separate it from the raw one.
- It is recommended to defrost the food inside the fridge.
- Do not insert hot food inside the appliance. Make sure it has cooled down at room temperature before inserting it.
- To prevent food waste the new stock of food should always be placed behind the old one.

**Hints for food refrigeration**

- Fresh food compartment is the one marked (on the rating plate) with .

- Meat (all types): wrap in a suitable packaging and place it on the glass shelf above the vegetable drawer. Store meat for at most 1-2 days.
- Fruit and vegetables: clean thoroughly (eliminate the soil) and place in a special drawer (vegetable drawer).
- It is advisable not to keep the exotic fruits like bananas, mangos, papayas etc. in the refrigerator.
- Vegetables like tomatoes, potatoes, onions, and garlic should not be kept in the refrigerator.
- Butter and cheese: place in an airtight container or wrap in an aluminium foil or a polythene bag to exclude as much air as possible.
- Bottles: close them with a cap and place them on the door bottle shelf, or (if available) on the bottle rack.
- In order to accelerate cooling down of the goods, it is advisable to turn on the fan. The activation of Fan-cooling allows greater homogenization of internal temperatures.
- Always refer to the expiry date of the products to know how long to keep them.

## Care and cleaning

**⚠ Warning!** Refer to Safety chapters.

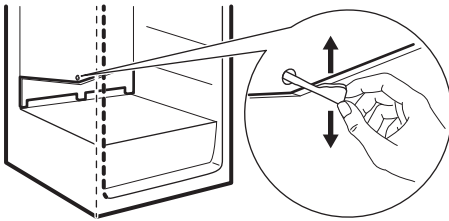
### Periodic cleaning

**i** Empty the appliance before cleaning.

The equipment has to be cleaned regularly:

1. Clean the inside and accessories with lukewarm water and some neutral soap.
2. Regularly check the door seals and wipe them clean to ensure they are clean and free from debris.
3. Rinse and dry thoroughly.

### Defrosting of the refrigerator



Frost is automatically eliminated from the evaporator of the refrigerator compartment

every time the motor compressor stops, during normal use. The defrost water drains out through a trough into a special container at the back of the appliance, over the motor compressor, where it evaporates.

It is important to periodically clean the defrost water drain hole in the middle of the refrigerator compartment channel to prevent the water overflowing and dripping onto the food inside.

For this purpose use the tube cleaner provided with the appliance.

### Defrosting of the freezer

The freezer compartment is frost free. This means that there is no build up of frost when it is in operation, neither on the internal walls, nor on the foods.

### Period of non-operation

When the appliance is not in use for long period, take the following precautions:

1. Disconnect the appliance from electricity supply.
2. Remove all food.
3. Clean the appliance and all accessories.
4. Leave the doors open to prevent unpleasant smells.

## Troubleshooting

**⚠ Warning!** Refer to Safety chapters.

### What to do if...




Problem	Possible cause	Solution
The appliance does not operate.	The appliance is switched off.	Switch on the appliance.




Problem	Possible cause	Solution
The appliance does not operate.	The mains plug is not connected to the mains socket correctly.	Connect the mains plug to the mains socket correctly.
The appliance does not operate.	There is no voltage in the mains socket.	Connect a different electrical appliance to the mains socket. Contact a qualified electrician.
The appliance is noisy.	The appliance is not supported properly.	Check if the appliance stands stable.
The following noises can be heard: bubbling, whirring, hissing, cracking or clicking.		This is normal. Refer to "Noises" chapter.
Acoustic or visual alarm is on.	The cabinet has been recently switched on.	Refer to "Door Open Alarm" or "High Temperature Alarm".
Acoustic or visual alarm is on.	The temperature in the appliance is too high.	Refer to "Door Open Alarm" or "High Temperature Alarm".
Acoustic or visual alarm is on.	The door is left open.	Close the door.
The compressor operates continually.	Temperature is set incorrectly.	Refer to "Control Panel" chapter.
The compressor operates continually.	Many food products were put in at the same time.	Wait a few hours and then check the temperature again.
The compressor operates continually.	The room temperature is too high.	Refer to "Installation" chapter.
The compressor operates continually.	Food products placed in the appliance were too warm.	Allow food products to cool to room temperature before storing.
The compressor operates continually.	The door is not closed correctly.	Refer to "Closing the door" section.
The compressor operates continually.	The Fast Freezing function is switched on.	Refer to "Fast Freezing function" section.
The compressor operates continually.	The Shopping function is switched on.	Refer to "Shopping function" section.

Problem	Possible cause	Solution
The compressor does not start immediately after pressing the "Fast Freezing" or "Shopping", or after changing the temperature.	The compressor starts after a period of time.	This is normal, no error has occurred.
Door is misaligned or interferes with ventilation grill.	The appliance is not levelled.	Refer to installation instructions.
Door does not open easily.	You attempted to re-open the door immediately after closing.	Wait a few seconds between closing and re-opening of the door.
The lamp does not work.	The lamp is in stand-by mode.	Close and open the door.
The lamp does not work.	The lamp is defective.	Contact the nearest Authorized Service Centre.
There is too much frost and ice.	The door is not closed correctly.	Refer to "Closing the door" section.
There is too much frost and ice.	The gasket is deformed or dirty.	Refer to "Closing the door" section.
There is too much frost and ice.	Food products are not wrapped properly.	Wrap the food products better.
There is too much frost and ice.	Temperature is set incorrectly.	Refer to "Control Panel" chapter.
There is too much frost and ice.	Appliance is fully loaded and is set to the lowest temperature.	Set a higher temperature. Refer to "Control Panel" chapter.
There is too much frost and ice.	Temperature set in the appliance is too low and the ambient temperature is too high.	Set a higher temperature. Refer to "Control Panel" chapter and "Location" section.
Water flows on the rear plate of the refrigerator.	During the automatic defrosting process, frost melts on the rear plate.	This is correct.
There is too much condensed water on the rear wall of the refrigerator.	Door was opened too frequently.	Open the door only when necessary.
There is too much condensed water on the rear wall of the refrigerator.	Door was not closed completely.	Make sure the door is closed completely.

Problem	Possible cause	Solution
There is too much condensed water on the rear wall of the refrigerator.	Stored food was not wrapped.	Wrap food in suitable packaging before storing it in the appliance.
Water flows inside the refrigerator.	Food products prevent the water from flowing into the water collector.	Make sure that food products do not touch the rear plate.
Water flows inside the refrigerator.	The water outlet is clogged.	Clean the water outlet.
Water flows on the floor.	The melting water outlet is not connected to the evaporative tray above the compressor.	Attach the melting water outlet to the evaporative tray.
Water flows on the floor.	Door was left open for a long time.	Open the door only when necessary.
Water flows on the floor.	The gasket is deformed or damaged.	Contact the Authorised Service Centre.
Temperature cannot be set.	The "Fast Freezing function" or "Shopping function" is switched on.	Switch off "Fast Freezing function" or "Shopping function" manually, or wait until the function deactivates automatically to set the temperature. Refer to "Fast Freezing function" or "Shopping function" section.
The temperature in the appliance is too low/too high.	The temperature is not set correctly.	Set a higher/lower temperature.
The temperature in the appliance is too low/too high.	The door is not closed correctly.	Refer to "Closing the door" section.
The temperature in the appliance is too low/too high.	The food products' temperature is too high.	Let the food products temperature decrease to room temperature before storage.
The temperature in the appliance is too low/too high.	Many food products are stored at the same time.	Store less food products at the same time.
The temperature in the appliance is too low/too high.	The door has been opened often.	Open the door only if necessary.
The temperature in the appliance is too low/too high.	The Fast Freezing function is switched on.	Refer to "Fast Freezing function" section.

Problem	Possible cause	Solution
The temperature in the appliance is too low/too high.	The Shopping function is switched on.	Refer to "Shopping function" section.
The temperature in the appliance is too low/too high.	There is no cold air circulation in the appliance.	Make sure that there is cold air circulation in the appliance. Refer to "Hints and Tips" chapter.
DEMO appears on the display.	The appliance is in demonstration mode.	Keep the OK key pressed for approximately 10 seconds until a long sound is heard and the display turns off for a short time.
A  or  or  symbol is shown instead of numbers on the temperature display.	Temperature sensor problem.	Contact the nearest Authorized Service Centre (the cooling system will continue to keep food products cold, but temperature adjustment will not be possible).


 If the advice does not lead to the desired result, call the nearest Authorized Service Centre.

**Replacing the lamp**

The appliance is equipped with a longlife LED interior light.

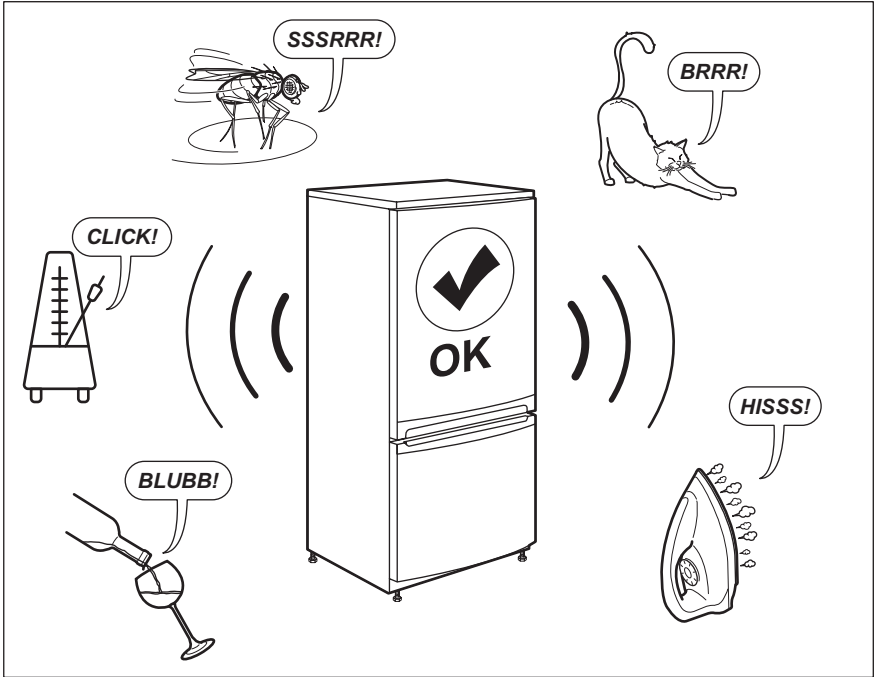
Only service is allowed to replace the lighting device. Contact your Authorized Service Centre.

**Closing the door**

 Avoid slamming the doors to prevent items stored inside from shifting and falling.

1. Clean the door gaskets.
2. If necessary, adjust the door. Refer to the assembly instructions.
3. If necessary, replace the defective door gaskets. Contact the Authorized Service Centre.

Noises

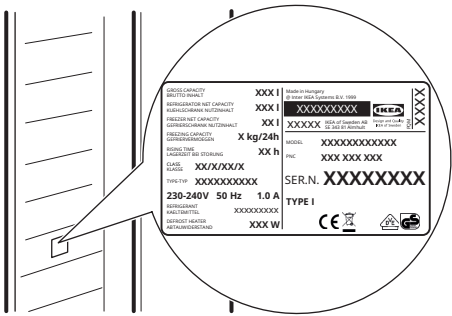


Technical data

<b>Product category</b>	
Product Type	Refrigerator - Freezer
Installation Type	Built-in only
<b>Product dimensions</b>	
Height	1884 mm
Width	546 mm
Depth	549 mm
<b>Net volume</b>	

Fresh food compartment (Fridge)	215,6 l
4 Star compartment (Freezer)	62,4 l
<b>Defrost system</b>	
Fresh food compartment (Fridge)	auto
4 Star compartment (Freezer)	auto
Star rating	<b>***</b>
Rising time	9,5 h
Freezing capacity	3,5 kg/12h
Annual energy consumption	216 kWh
Airborne acoustical noise emissions	35 dB(A)
Energy efficiency class	E
Voltage	230 - 240 V
Frequency	50 Hz

The technical information (including the serial number) is situated in the rating plate on the internal left side of the appliance and in the energy label.



The QR code on the energy label supplied with the appliance provides a web link to the information related to the performance of the appliance in the EU EPREL database. Keep the energy label for reference together with the user manual and all other documents provided with this appliance.

<https://eprel.ec.europa.eu> and the model name and product number that you find on the rating plate of the appliance.

See the link [www.theenergylabel.eu](http://www.theenergylabel.eu) for detailed information about the energy label.


It is also possible to find the same information in EPREL using the link


## Information for test institutes

Installation and preparation of the appliance for any EcoDesign verification shall be compliant with EN 62552. Ventilation requirements, recess dimensions and minimum rear clearances shall be as stated

in this User Manual at Chapter 3. Please contact the manufacturer for any other further information, including loading plans.

## Environmental concerns

Recycle materials with the symbol . Put the packaging in relevant containers to recycle it. Help protect the environment and human health by recycling waste of electrical and electronic appliances. Do not dispose of

appliances marked with the symbol  with the household waste. Return the product to your local recycling facility or contact your municipal office.

## IKEA guarantee

### How long is the IKEA guarantee valid?

This guarantee is valid for 5 years from the original date of purchase of your appliance at IKEA. The original sales receipt is required as proof of purchase. If service work is carried out under guarantee, this will not extend the guarantee period for the appliance.

### Who will execute the service?

IKEA service provider will provide the service through its own service operations or authorized service partner network.

### What does this guarantee cover?

The guarantee covers faults of the appliance, which have been caused by faulty construction or material faults from the date of purchase from IKEA. This guarantee applies to domestic use only. The exceptions are specified under the headline "What is not covered under this guarantee?" Within the guarantee period, the costs to remedy the fault e.g. repairs, parts, labour and travel will be covered, provided that the appliance is accessible for repair without special expenditure. On these conditions the EU guidelines (Nr. 99/44/EG) and the respective

local regulations are applicable. Replaced parts become the property of IKEA.

### What will IKEA do to correct the problem?

IKEA appointed service provider will examine the product and decide, at its sole discretion, if it is covered under this guarantee. If considered covered, IKEA service provider or its authorized service partner through its own service operations, will then, at its sole discretion, either repair the defective product or replace it with the same or a comparable product.

### What is not covered under this guarantee?

- Normal wear and tear.
- Deliberate or negligent damage, damage caused by failure to observe operating instructions, incorrect installation or by connection to the wrong voltage, damage caused by chemical or electro-chemical reaction, rust, corrosion or water damage including but not limited to damage caused by excessive lime in the water supply, damage caused by abnormal environmental conditions.
- Consumable parts including batteries and lamps.

- Non-functional and decorative parts which do not affect normal use of the appliance, including any scratches and possible color differences.
- Accidental damage caused by foreign objects or substances and cleaning or unblocking of filters, drainage systems or soap drawers.
- Damage to the following parts: ceramic glass, accessories, crockery and cutlery baskets, feed and drainage pipes, seals, lamps and lamp covers, screens, knobs, casings and parts of casings. Unless such damages can be proved to have been caused by production faults.
- Cases where no fault could be found during a technician's visit.
- Repairs not carried out by our appointed service providers and/or an authorized service contractual partner or where non-original parts have been used.
- Repairs caused by installation which is faulty or not according to specification.
- The use of the appliance in a non-domestic environment i.e. professional use.
- Transportation damages. If a customer transports the product to their home or other address, IKEA is not liable for any damage that may occur during transport. However, if IKEA delivers the product to the customer's delivery address, then damage to the product that occurs during this delivery will be covered by this guarantee.
- Cost for carrying out the initial installation of the IKEA appliance. However, if an IKEA service provider or its authorized service partner repairs or replaces the appliance under the terms of this guarantee, the service provider or its authorized service partner will re-install the repaired appliance or install the replacement, if necessary.

This restriction do not apply to fault-free work carried out by a qualified specialist using our original parts in order to adapt the appliance to the technical safety specifications of another EU country.

### How country law applies

The IKEA guarantee gives you specific legal rights, which covers or exceed local demands. However these conditions do not limit in any way consumer rights described in the local legislation.

### Area of validity

For appliances which are purchased in one EU country and taken to another EU country, the services will be provided in the framework of the guarantee conditions normal in the new country. An obligation to carry out services in the framework of the guarantee exists only if the appliance complies and is installed in accordance with:

- the technical specifications of the country in which the guarantee claim is made;
- the Assembly Instructions and User Manual Safety Information;

### The dedicated After Sales Service for IKEA appliances:

Please do not hesitate to contact IKEA After Sales Service to:

1. make a service request under this guarantee;
2. ask for clarification on installation of the IKEA appliance in the dedicated IKEA kitchen furniture. The service won't provide clarifications related to:
  - the overall IKEA kitchen installation;
  - connections to electricity (if machine comes without plug and cable), to water and to gas since they have to be executed by an authorized service engineer.
3. ask for clarification on user manual contents and specifications of the IKEA appliance.

To ensure that we provide you with the best assistance, please read carefully the Assembly Instructions and/or the User Manual section of this booklet before contacting us.

### How to reach us if you need our service





Please refer to the last page of this manual for the full list of IKEA appointed contacts and relative national phone numbers.

**i** In order to provide you with a quicker service, we recommend that you use the specific phone numbers listed at the end of this manual. Always refer to the numbers listed in the booklet of the specific appliance you need an assistance for. Before calling us, assure that you have to hand the IKEA article number (8 digit code) and the Serial Number (8 digit code that can be found on the rating plate) for the appliance of which you need our assistance.

**i** **SAVE THE SALES RECEIPT!** It is your proof of purchase and required for the guarantee to apply. Note that the receipt reports also the IKEA article name and number (8 digit code) for each of the appliances you have purchased.

**Do you need extra help?**

For any additional questions not related to After Sales of your appliances, please contact our nearest IKEA store call centre. We recommend you read the appliance documentation carefully before contacting us.

## Inhaltsverzeichnis

Sicherheitshinweise	34	Reinigung und Pflege	55
Sicherheitsanweisungen	36	Fehlersuche	56
Montage	39	Geräusche	61
Gerätebeschreibung	42	Technische Daten	61
Bedienfeld	43	Informationen für Prüfinstitute	63
Erste Inbetriebnahme	47	Informationen zur Entsorgung	63
Täglicher Gebrauch	48	IKEA Garantie	64
Tipps und Hinweise	52		

Änderungen vorbehalten.

## Sicherheitshinweise

Lesen Sie vor der Montage und dem Gebrauch des Geräts zuerst die Bedienungsanleitung. Bei Verletzungen oder Schäden infolge nicht ordnungsgemäßer Montage oder Verwendung übernimmt der Hersteller keine Haftung. Bewahren Sie die Anleitung zum Nachschlagen an einem sicheren und zugänglichen Ort auf.

## Sicherheit von Kindern und schutzbedürftigen Personen

- Das Gerät kann von Kindern ab 8 Jahren und Personen mit eingeschränkten physischen, sensorischen oder geistigen Fähigkeiten oder mit mangelnder Erfahrung/mangelndem Wissen benutzt werden, wenn sie durch eine für ihre Sicherheit zuständige Person beaufsichtigt werden oder von dieser Person Anweisungen erhalten haben, wie das Gerät sicher zu bedienen ist und welche Gefahren bei nicht ordnungsgemäßer Bedienung bestehen.
- Kinder zwischen 3 und 8 Jahren dürfen das Gerät be- und entladen, vorausgesetzt, sie wurden ordnungsgemäß eingewiesen.

- Dieses Gerät kann von Personen mit schweren und komplexen Behinderungen benutzt werden, vorausgesetzt, sie wurden ordnungsgemäß eingewiesen.
- Halten Sie Kinder unter 3 Jahren vom Gerät fern, wenn sie nicht ständig beaufsichtigt werden.
- Kinder sollten beaufsichtigt werden, um sicherzustellen, dass sie nicht mit dem Gerät.
- Kinder dürfen keine Reinigung und Wartung des Geräts ohne Beaufsichtigung durchführen.
- Halten Sie sämtliches Verpackungsmaterial von Kindern fern und entsorgen Sie es ordnungsgemäß.

## Allgemeine Sicherheit

- Dieses Gerät ist nur für die Aufbewahrung von Lebensmitteln und Getränken bestimmt.
- Dieses Gerät ist für den häuslichen Gebrauch im Haushalt in Innenräumen konzipiert.
- Dieses Gerät darf in Büros, Hotelzimmern, Gästezimmern in Pensionen, Bauernhöfen und anderen ähnlichen Unterkünften verwendet werden, wenn diese Nutzung das (durchschnittliche) Nutzungsniveau im Haushalt nicht überschreitet.
- Um eine Kontaminierung von Lebensmitteln zu vermeiden, beachten Sie die folgenden Hinweise:
  - Öffnen Sie die Tür nicht über längere Zeit hinweg;
  - Reinigen Sie regelmäßig Oberflächen, die mit Lebensmitteln in Kontakt kommen können, und zugängliche Ablaufsysteme;
  - Lagern Sie rohes Fleisch und Fisch in geeigneten Behältern im Kühlschrank, so dass sie nicht mit anderen Lebensmitteln in Berührung kommen oder auf diese tropfen.

- **WARNUNG:** Halten Sie die Lüftungsöffnungen im Gerätegehäuse oder in der Einbaunische frei von Hindernissen.
- **WARNUNG:** Versuchen Sie nicht, den Abtauvorgang durch andere als vom Hersteller empfohlene mechanische oder sonstige Hilfsmittel zu beschleunigen.
- **WARNUNG:** Achten Sie darauf, den Kältekreislauf nicht zu beschädigen.
- **WARNUNG:** Betreiben Sie in den Lebensmittelfächern des Geräts keine anderen als die vom Hersteller empfohlenen Elektrogeräte.
- Reinigen Sie das Gerät nicht mit Wasserspray oder Dampf.
- Reinigen Sie das Gerät mit einem weichen, feuchten Tuch. Verwenden Sie ausschließlich Neutralreiniger. Verwenden Sie keine Scheuermittel, Scheuerschwämme, scharfe Reinigungsmittel oder Metallgegenstände.
- Wenn das Gerät längere Zeit leer steht, schalten Sie es aus, tauen Sie es ab, reinigen und trocknen Sie es und lassen Sie die Tür offen, um Schimmelbildung im Gerät zu vermeiden.
- Bewahren Sie keine explosiven Substanzen wie Aerosoldosen mit brennbarem Treibgas in diesem Gerät auf.
- Wenn das Netzkabel beschädigt ist, muss es vom Hersteller, einem autorisierten Kundendienst oder einer ähnlich qualifizierten Person zur Vermeidung einer Gefahrenquelle ersetzt werden.

## Sicherheitsanweisungen

### Montage



**WARNUNG!** Die Montage des Geräts darf nur von einer qualifizierten Fachkraft durchgeführt werden.

- Entfernen Sie das gesamte Verpackungsmaterial.
- Montieren Sie ein beschädigtes Gerät nicht und benutzen Sie es nicht.
- Verwenden Sie das Gerät aus Sicherheitsgründen nicht, bevor es in den Einbauschrank gesetzt wird.
- Halten Sie sich an die mitgelieferte Montageanleitung.
- Seien Sie beim Umsetzen des Gerätes vorsichtig, da es sehr schwer ist. Tragen

Sie stets Sicherheitshandschuhe und festes Schuhwerk.

- Stellen Sie sicher, dass die Luft um das Gerät zirkulieren kann.
- Warten Sie nach der Montage oder dem Wechsel des Türanschlags mindestens 4 Stunden, bevor Sie das Gerät an die Stromversorgung anschließen. So kann das Öl in den Kompressor zurückfließen.
- Ziehen Sie den Stecker aus der Steckdose, bevor Sie am Gerät arbeiten (z.B. Wechsel des Türanschlags).
- Stellen Sie das Gerät nicht in der Nähe von Heizkörpern, Herden, Backöfen oder Kochfeldern auf.
- Setzen Sie das Gerät nicht dem Regen aus.
- Installieren Sie das Gerät nicht an einem Ort mit direkter Sonneneinstrahlung.
- Stellen Sie dieses Gerät nicht in Bereichen auf, die zu feucht oder kalt sind.
- Wenn Sie das Gerät verschieben, heben Sie es an der Vorderkante an, um den Fußboden nicht zu verkratzen.
- Das Gerät enthält einen Beutel mit Trockenmittel. Dieser Beutel ist kein Spielzeug. Dieser Beutel ist kein Lebensmittel. Bitte entsorgen Sie ihn umgehend.

## Elektrischer Anschluss



**WARNUNG!** Brand- und Stromschlaggefahr.



**WARNUNG!** Achten Sie bei der Montage des Geräts darauf, dass das Netzkabel nicht eingeklemmt oder beschädigt wird.



**WARNUNG!** Verwenden Sie keine Mehrfachsteckdosen oder Verlängerungskabel.

- Das Gerät muss geerdet sein.
- Stellen Sie sicher, dass die Daten auf dem Typenschild mit den elektrischen Nennwerten der Netzspannung übereinstimmen.

- Schließen Sie das Gerät nur an eine ordnungsgemäß installierte Schutzkontaktsteckdose an.
- Achten Sie darauf, elektrische Bauteile (wie Netzstecker, Netzkabel und Kompressor) nicht zu beschädigen. Wenden Sie sich an den autorisierten Kundendienst oder einen Elektriker, um die elektrischen Bauteile auszutauschen.
- Das Netzkabel muss unterhalb des Netzsteckers verlegt werden.
- Stecken Sie den Netzstecker erst nach Abschluss der Montage in die Steckdose. Stellen Sie sicher, dass der Netzstecker nach der Montage noch zugänglich ist.
- Ziehen Sie nicht am Netzkabel, wenn Sie das Gerät von der Stromversorgung trennen möchten. Ziehen Sie stets am Netzstecker.

## Gebrauch



**WARNUNG!** Es besteht Verletzungs-, Verbrennungs-, Stromschlag- oder Brandgefahr.




Das Gerät enthält Isobutan (R600a), ein brennbares Erdgas mit einem hohen Grad an Umweltverträglichkeit. Achten Sie darauf, den Kältekreislauf, der Isobutan enthält, nicht zu beschädigen.

- Nehmen Sie keine technischen Änderungen am Gerät vor.
- Jegliche Verwendung des eingebauten Produkts als freistehendes Produkt ist strengstens untersagt.
- Stellen Sie keine elektrischen Geräte (z. B. Eisbereiter) in das Gerät, wenn solche Geräte nicht ausdrücklich vom Hersteller für diesen Zweck zugelassen sind.
- Wird der Kältekreislauf beschädigt, stellen Sie bitte sicher, dass keine Flammen und Zündquellen im Raum vorhanden sind. Lüften Sie den Raum.
- Achten Sie darauf, dass keine heißen Gegenstände auf die Kunststoffteile des Geräts gelangen.


- Geben Sie keine Softdrinks in das Gefrierfach. Dadurch entsteht Druck auf den Getränkebehälter.
- Lagern Sie keine brennbaren Gase und Flüssigkeiten im Gerät.
- Platzieren Sie keine entflammabaren Produkte oder Gegenstände, die mit entflammabaren Produkten benetzt sind, im Gerät, auf dem Gerät oder in der Nähe des Geräts.
- Berühren Sie nicht den Kompressor oder den Kondensator. Diese sind heiß.
- Nehmen Sie keine Gegenstände aus dem Gefrierfach und berühren Sie diese nicht, falls Ihre Hände nass oder feucht sind.
- Frieren Sie aufgetaute Lebensmittel nicht wieder ein.
- Befolgen Sie die Hinweise auf der Verpackung zur Aufbewahrung tiefgekühlter Lebensmittel.
- Wickeln Sie die Lebensmittel in Lebensmittelkontaktmaterial ein, bevor Sie sie in das Gefrierfach legen.

## Innenbeleuchtung

 **WARNUNG!** Stromschlaggefahr.

- Dieses Produkt enthält eine oder mehrere Lichtquellen der Energieeffizienzklasse F.
- Bezüglich der Lampe(n) in diesem Gerät und separat verkaufter Ersatzlampen: Diese Lampen müssen extremen physikalischen Bedingungen in Haushaltsgeräten standhalten, wie z.B. Temperatur, Vibration, Feuchtigkeit, oder sollen Informationen über den Betriebszustand des Gerätes anzeigen. Sie sind nicht für den Einsatz in anderen Geräten vorgesehen und nicht für die Raumbelichtung geeignet.

## Reinigung und Pflege

 **WARNUNG!** Verletzungsgefahr sowie Risiko von Schäden am Gerät.

- Schalten Sie das Gerät immer aus und ziehen Sie den Netzstecker aus der


Steckdose, bevor Reinigungsarbeiten durchgeführt werden.

- Der Kältekreis des Gerätes enthält Kohlenwasserstoffe. Das Gerät muss von einer qualifizierten Fachkraft gewartet und nachgefüllt werden.
- Prüfen Sie regelmäßig den Wasserabfluss des Geräts und reinigen Sie ihn gegebenenfalls. Bei verstopftem Wasserabfluss sammelt sich das Abtauwasser am Boden des Geräts an.

## Wartung

- Wenden Sie sich zur Reparatur des Geräts an den autorisierten Kundendienst. Dabei dürfen ausschließlich Originalersatzteile verwendet werden.
- Bitte beachten Sie, dass eigene Reparaturen oder Reparaturen, die nicht von Fachkräften durchgeführt werden, die Sicherheit des Geräts beeinträchtigen und zum Erlöschen der Garantie führen können.
- Die folgenden Ersatzteile werden auch nach dem Auslauf des Modells 7 Jahre lang vorgehalten: Thermostate, Temperatursensoren, Platinen, Lichtquellen, Lichtquellen, Türscharniere, Backbleche und Körbe. Bitte beachten Sie, dass einige dieser Ersatzteile nur an Reparaturbetriebe geliefert werden können und nicht alle Ersatzteile für alle Modelle relevant sind.
- Türdichtungen sind innerhalb von 10 Jahren nach Produkteneinstellung des Modells erhältlich.

## Entsorgung

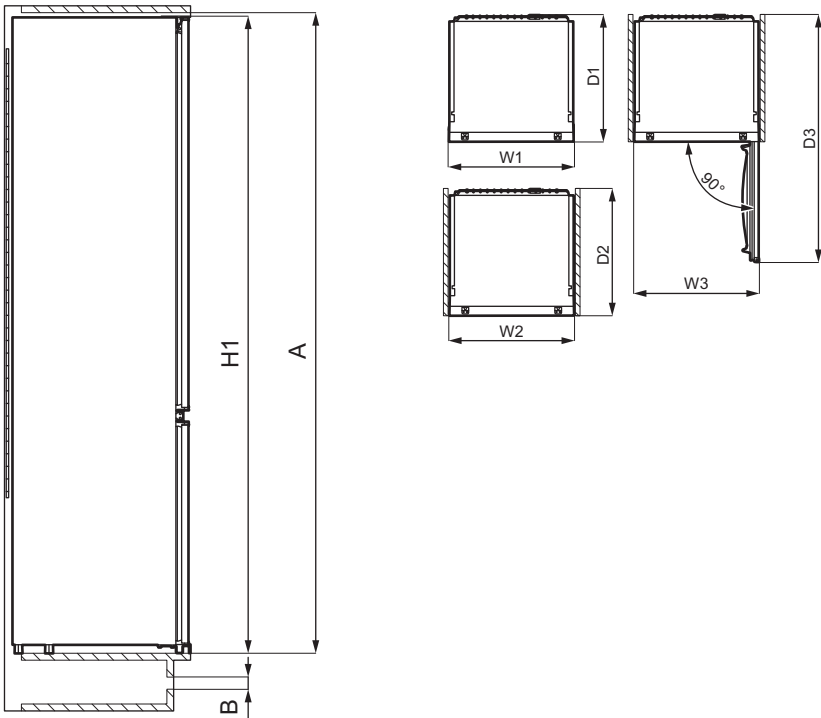
 **WARNUNG!** Verletzungs- und Erstickungsgefahr.

- Trennen Sie das Gerät von der Stromversorgung.
- Schneiden Sie das Netzkabel ab, und entsorgen Sie es.
- Entfernen Sie die Tür, um zu verhindern, dass sich Kinder oder Haustiere in dem Gerät einschließen.



Zur Überprüfung	Wenn die Antwort JA lautet	Wenn die Antwort NEIN lautet
Installieren Sie das Gerät in der Einbaukonstruktion.	Keine Aktion <input checked="" type="checkbox"/>	Beachten Sie die Montageanleitung für die ordnungsgemäße Installation.
Stellen Sie sicher, dass das Gerät bei der ersten Installation oder nach dem Wechsel der Tür mindestens 4 Stunden lang in vertikaler Position steht, bevor Sie es an die Stromversorgung anschließen.	Keine Aktion <input checked="" type="checkbox"/>	Warten Sie 4 Stunden, bevor Sie das Gerät an die Stromversorgung anschließen.

Abmessungen





Gesamtabmessungen <sup>1</sup>		
H1	mm	1884
W1	mm	546
D1	mm	549

<sup>1</sup> Höhe, Breite und Tiefe des Geräts ohne Griff

Platzbedarf während des Betriebs <sup>2</sup>		
H2 (A+B)	mm	1936
W2	mm	546
D2	mm	551
A	mm	1894
B	mm	36

<sup>2</sup> Höhe, Breite und Tiefe des Geräts einschließlich Griff und zuzüglich des notwendigen Freiraums für die Zirkulation der Kühlluft

Platzbedarf insgesamt während des Betriebs <sup>3</sup>		
H3 (A+B)	mm	1936
W3	mm	546
D3	mm	1068

<sup>3</sup> Höhe, Breite und Tiefe des Geräts einschließlich Griff plus des notwendigen Freiraums für die Zirkulation der Kühlluft, zuzüglich des Platzes, der notwendig ist, um eine Türöffnung bis zu dem minimalen Winkel zu ermöglichen, der die Entfernung der gesamten Innenausstattung erlaubt

**Standort**

Um die beste Funktionalität des Gerätes zu gewährleisten, sollten Sie das Gerät nicht in der Nähe von Wärmequellen (Backöfen, Heizöfen, Heizkörpern, Herden oder Kochfeldern) oder an einem Ort mit direkter Sonneneinstrahlung installieren. Stellen Sie sicher, dass die Luft frei um die Geräterückseite zirkulieren kann.

Dieses Gerät sollte in einem trockenen, gut belüfteten Innenbereich aufgestellt werden.

Dieses Gerät ist für den Einsatz bei einer Umgebungstemperatur von 10°C bis 43°C vorgesehen.

**i** Der ordnungsgemäße Betrieb des Geräts wird nur innerhalb des angegebenen Temperaturbereichs gewährleistet.

**i** Bei Fragen zum Aufstellungsort des Geräts wenden Sie sich an den Verkäufer, unseren Kundendienst oder nächstgelegenen autorisierten Kundendienst.

**i** Es muss möglich sein, das Gerät vom Netz zu trennen. Daher muss der Stecker nach der Installation zugänglich bleiben.

**Elektrischer Anschluss**

Kontrollieren Sie vor der ersten Benutzung des Geräts, ob die Netzspannung und -frequenz Ihres Hausanschlusses mit den auf dem Typenschild angegebenen Anschlusswerten übereinstimmen.

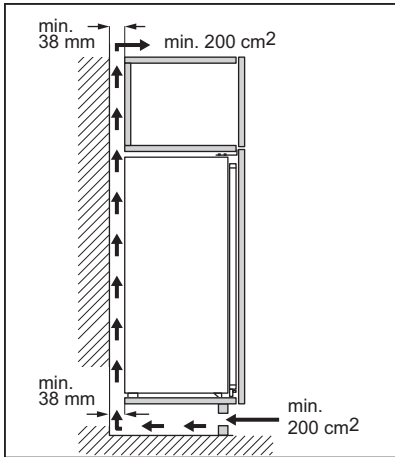
Das Gerät muss geerdet sein. Zu diesem Zweck ist der Netzstecker mit einem Schutzkontakt ausgestattet. Falls die Steckdose Ihres Hausanschlusses nicht geerdet sein sollte, lassen Sie das Gerät gemäß den geltenden Vorschriften von einem qualifizierten Elektriker erden.

Der Hersteller übernimmt keinerlei Haftung bei Missachtung der vorstehenden Sicherheitshinweise.

Das Gerät entspricht den EWG-Richtlinien.

**Anforderungen an die Belüftung**

Der Luftstrom hinter dem Gerät muss ausreichend sein.



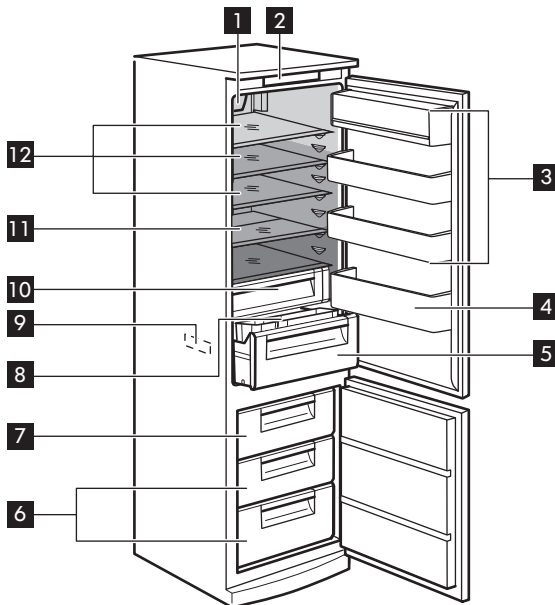
**⚠ Vorsicht!** Lesen Sie die Montageanleitungen für die Installation.

### Wechselbare Anschlagseite der Tür

Informationen zu Montage und zum Wechseln des Türanschlags finden Sie in einer separaten Anleitung.

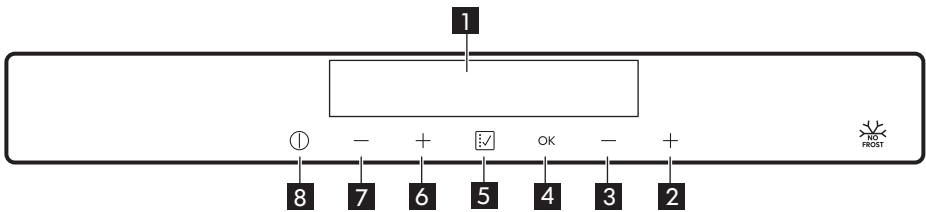
**⚠ Vorsicht!** Wenn Sie den Türanschlag wechseln, schützen Sie den Boden mit einem strapazierfähigem Material vor Verkratzungen.

## Gerätebeschreibung



- 1** Ventilator Kühlung mit LED-Lampe
- 2** Bedienfeld
- 3** Türfächer
- 4** Flaschenablage
- 5** Gemüseschublade
- 6** Gefrierschrankschubladen
- 7** Gefrierschublade
- 8** Verschiebbare Ablage mit Behältern
- 9** Typenschild
- 10** Extra-Zone
- 11** Halbe, ausziehbare Ablage
- 12** Glasablagen
- Wärmster Bereich
- Bereich mit mittlerer Temperatur
- Kältester Bereich

## Bedienfeld

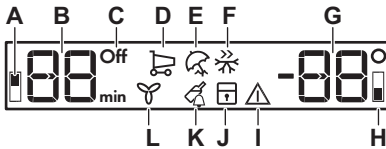


- 1** Display
- 2** Taste zum Erhöhen der Gefrierschranktemperatur
- 3** Taste zum Senken der Gefrierschranktemperatur
- 4** OK-Taste
- 5** Funktion-Taste
- 6** Taste zum Erhöhen der Kühlschranktemperatur
- 7** Taste zum Senken der Kühlschranktemperatur
- 8** ON/OFF-Taste

Um den Standardton der Knöpfe zu ändern, drücken Sie gleichzeitig den **5** Funktion Knopf und den Knopf **7** „Kühlschranktemperatur kälter“ einige

Sekunden lang. Um die Änderung rückgängig zu machen, wiederholen Sie den Vorgang.

## Display



- A. Anzeige Kühlraum
- B. Kühlschranktemperatur- und Timeranzeige
- C. Kühlschrankanzeige Off
- D. Funktionsanzeige Einkaufen
- E. Funktionsanzeige Urlaub
- F. Funktionsanzeige Schnellgefrieren
- G. Temperaturanzeige Gefrierraum
- H. Anzeige Gefrierraum
- I. Alarmanzeige
- J. Funktionsanzeige Kindersicherung.
- K. Funktionsanzeige Flaschenkühlung
- L. Funktionsanzeige Ventilator Kühlung

## Einschalten

1. Stecken Sie den Netzstecker in die Steckdose.
2. Drücken Sie die **8** ON/OFF Taste, wenn das Display ausgeschaltet ist. Die Temperaturanzeigen zeigen die eingestellte Standardtemperatur an.

**i** Zur Auswahl einer anderen Solltemperatur siehe „Temperaturregelung“.

Wenn im Display „DEMO“ angezeigt wird, befindet sich das Gerät im Demo-Modus. Siehe hierzu „Fehlersuche“.

## Ausschalten des Geräts

Halten Sie die Taste **8** ON/OFF 3 Sekunden lang gedrückt. Das Display wird ausgeschaltet. Ziehen Sie den Gerätestecker aus der Steckdose, um das Gerät vom Netz zu trennen.

## Einschalten des Kühlschranks

1. Drücken Sie eine der Temperaturtasten. Oder:
1. Drücken Sie wiederholt auf den Knopf **5** Funktion, bis die Kühlschrankanzeige Off blinkt.

2. Drücken Sie die Taste **4** OK zum Bestätigen.
3. Die Kühlschrankanzeige Off erlischt. Informationen zur Auswahl einer anderen eingestellten Temperatur finden Sie unter „Temperaturregelung“.

## Ausschalten des Kühlschranks

Es ist möglich nur den Kühlraum auszuschalten und das Gefriergerät eingeschaltet zu lassen.


1. Drücken Sie wiederholt auf den Knopf **5** Funktion, bis die Kontrolllampe des Kühlraums blinkt. Die Kühlschrankanzeige Off und die Kühlraumanzeige blinken. Die Kühlschrank-Temperaturanzeige zeigt Striche an.
2. Drücken Sie die Taste **4** OK zum Bestätigen. Die Kühlschrankanzeige Off erscheint und der Kühlraum wird ausgeschaltet.

## Temperaturregelung

Stellen Sie die Temperatur des Geräts durch Drücken der Temperaturregler ein  $\pm$ . Die empfohlene Einstelltemperatur ist:

- +4 °C für den Kühlschrank
- -18 °C für das Gefriergerät

Der Temperatureinstellbereich liegt zwischen -15 °C und -24 °C für das Gefriergerät und zwischen 2 °C und 8 °C für den Kühlschrank. Die Temperaturanzeigen zeigen die eingestellte Temperatur an.

-  Die eingestellte Temperatur wird innerhalb von 24 Stunden erreicht.  
Nach einem Stromausfall bleibt die eingestellte Temperatur gespeichert.

### Einkaufen Funktion

Wenn Sie zum Beispiel nach einem Einkauf größere Mengen warmer Lebensmittel in den Kühlschrank einlegen möchten, empfehlen wir die Aktivierung der Funktion Einkaufen, um die Lebensmittel schneller zu kühlen und um zu vermeiden, dass die bereits im Kühlschrank befindlichen Lebensmittel erwärmt werden.


1. Drücken Sie Knopf **5** Funktion, bis die Einkaufen Anzeige blinkt.
2. Drücken Sie die Taste **4** OK zum Bestätigen.

Die Anzeige Einkaufen wird angezeigt. Der Ventilator schaltet sich automatisch während der laufenden Funktion ein. Die Funktion Einkaufen wird nach etwa 6 Stunden automatisch ausgeschaltet.

Sie können die Einkaufen Funktion vor ihrem automatischen Ende deaktivieren, indem Sie das Verfahren wiederholen, bis die Einkaufen Anzeige erlischt, oder indem Sie die **6**, **7** Temperaturknöpfe drücken und eine andere Kühlschranktemperatur einstellen.

### Urlaub Funktion

Mit dieser Funktion können Sie den Kühlraum während eines längeren Urlaubs leer stehen lassen und die Entwicklung von unangenehmen Gerüchen reduzieren, während der Gefrierraum weiterhin normal funktioniert.


-  Der Kühlraum muss leer sein, wenn die Urlaub-Funktion eingeschaltet wird.

1. Drücken Sie Knopf **5** Funktion, bis die Urlaub Anzeige blinkt.

Die Temperaturanzeige des Kühlschranks zeigt die eingestellte Temperatur an.


2. Drücken Sie die Taste **4** OK zum Bestätigen.

Die Anzeige Urlaub wird angezeigt.

-  Die Funktion wird nach der Auswahl einer anderen Kühlschranktemperatur ausgeschaltet.


### Schnellgefrieren Funktion

Die Schnellgefrieren Funktion dient dazu, das Gefrierfach auf das Vorgefrieren und anschließende Schnellgefrieren der Lebensmittel vorzubereiten. Die Funktion ist eine Schnellgefrierfunktion, die die Tiefkühlung neu hinzukommender Lebensmittel beschleunigt und gleichzeitig die bereits tiefgekühlten Lebensmittel vor unerwünschter Erwärmung schützt.

-  Um frische Lebensmittel einzufrieren, schalten Sie die Schnellgefrieren-Funktion mindestens 24 Stunden, bevor Sie die einzufrierenden Lebensmittel in das Gefrierfach hineinlegen, ein, um das Vorgefrieren abzuschließen.

1. Drücken Sie zum Einschalten dieser Funktion die Knöpfe **5** Funktion, bis die Anzeige Schnellgefrieren erscheint.
2. Drücken Sie die Taste **4** OK zum Bestätigen.

Die Anzeige Schnellgefrieren wird angezeigt.

-  Die Funktion Schnellgefrieren endet automatisch nach 52 Stunden.

Sie können die Schnellgefrieren Funktion vor ihrem automatischen Ende deaktivieren,

indem Sie das Verfahren wiederholen, bis die Schnellgefrieren Anzeige erlischt, oder indem Sie die **2**, **3** Temperaturnöpfe drücken und eine andere Gefrieretemperatur einstellen.

### Kindersicherung Funktion

Schalten Sie die Kindersicherung Funktion ein, um die Knöpfe gegen eine unbeabsichtigte Betätigung zu verriegeln.

1. Drücken Sie Knopf **5** Funktion, bis die Kindersicherung Anzeige blinkt.
2. Drücken Sie die Taste **4** OK zum Bestätigen.

Die Anzeige Kindersicherung wird angezeigt. Um die Kindersicherung Funktion auszuschalten, wiederholen Sie den Vorgang, bis die Kindersicherung Anzeige erlischt.

### Flaschenkühlung Funktion

Mit der Flaschenkühlung-Funktion kann ein akustischer Alarm auf die gewünschte Zeit eingestellt werden, was z. B. nützlich ist, wenn ein Rezept die Kühlung von Lebensmitteln für eine bestimmte Zeitdauer erfordert. Sie ist ebenfalls nützlich, wenn Sie die Flaschen oder Dosen, die Sie für eine schnellere Kühlung in den Gefrierraum gelegt haben, nicht vergessen möchten.


1. Drücken Sie Knopf **5** Funktion, bis die Flaschenkühlung Anzeige blinkt. Der Timer zeigt den eingestellten Wert (30 Minuten) für einige Sekunden an.
2. Drücken Sie die Temperaturtasten **2**, **3**, um den eingestellten Wert des Timers auf 1 bis 90 Minuten zu ändern.
3. Drücken Sie die Taste **4** OK zum Bestätigen.

Die Anzeige Flaschenkühlung wird angezeigt.

Der Timer beginnt zu blinken(min). Nach Ablauf des Countdowns blinkt die Anzeige „0 Min.“ und ein Alarmsignal ertönt. Nehmen Sie nun alle Produkte aus dem

Gerät, die Sie zum Abkühlen hineingelegt haben, und drücken Sie die Taste **4** OK, um den Signalton abzustellen und die Funktion zu beenden.

Wenn Sie die Funktion während des Countdowns ausschalten möchten, wiederholen Sie das Verfahren, bis das Symbol Flaschenkühlung erlischt.

-  Die Zeit kann jederzeit während des Countdowns und am Ende durch Drücken der Temperaturtasten **2** und **3** geändert werden.

### Ventilator Kühlung Funktion

Das Kühlfach ist mit einem Ventilator ausgestattet, der das schnelle Abkühlen von Lebensmitteln ermöglicht und eine gleichmäßigere Temperatur im Fach aufrechterhält.


Dieser Ventilator schaltet sich bei Bedarf automatisch ein und lässt sich auch manuell aktivieren.

Einschalten der Funktion:

1. Drücken Sie Knopf **5** Funktion, bis die Ventilator Kühlung Anzeige blinkt.
2. Drücken Sie die Taste **4** OK zum Bestätigen.

Die Anzeige Ventilator Kühlung wird angezeigt.

Wiederholen Sie zum Ausschalten der Funktion die obigen Schritte, bis die Anzeige Ventilator Kühlung erlischt.

-  Wird die Funktion automatisch eingeschaltet, leuchtet die Anzeige Ventilator Kühlung nicht (siehe „Täglicher Gebrauch“). Die Aktivierung der Funktion Ventilator Kühlung erhöht den Energieverbrauch.


Der Ventilator ist nur bei geschlossener Tür in Betrieb.

## Hochtemperaturalarm

Bei einem Temperaturanstieg im Gefrierfach (zum Beispiel aufgrund eines vorausgegangenen Stromausfalls) leuchtet die Alarm- und Gefrierraumanzeige und es ertönt ein Signalton.

Ausschalten des Alarms:


1. Drücken Sie eine beliebige Taste. Der Signalton wird ausgeschaltet.
2. Die Temperaturanzeige des Gefriergeräts zeigt die höchste erreichte Temperatur ein paar Sekunden lang an, danach zeigt das Display wieder die eingestellte Temperatur an.

-  Die Alarmanzeige blinkt weiter, bis die normalen Bedingungen wiederhergestellt sind. Wenn Sie keine Taste drücken, schaltet sich der Ton nach etwa einer Stunde automatisch ab, um nicht zu stören.

## Alarm - Tür offen

Wenn die Kühlschranktür etwa 5 Minuten geöffnet bleibt, ertönt der Signalton und die Alarmanzeige blinkt.


Der Signalton erlischt nach dem Schließen der Tür. In der Alarmphase kann der Signalton durch Drücken einer beliebigen Taste ausgeschaltet werden.


-  Wenn Sie keine Taste drücken, schaltet sich der Ton nach etwa einer Stunde automatisch ab, um nicht zu stören.

## Erste Inbetriebnahme

### Reinigen des Innenraums

Bevor Sie das Gerät in Betrieb nehmen, beseitigen Sie den typischen Neugeruch am besten durch Reinigen der Innenteile mit lauwarmem Wasser und einer neutralen Seife. Sorgfältig nachtrocknen.

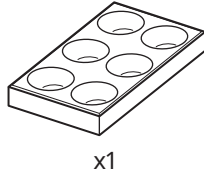
-  **Vorsicht!** Verwenden Sie keine chemischen Reinigungsmittel, Scheuerpulver, chlor- oder ölhaltige Reinigungsmittel, da diese die Oberfläche beschädigen.

-  **Vorsicht!** Das Zubehör des Geräts und die Innenteile eignen sich nicht für die Reinigung im Geschirrspüler.

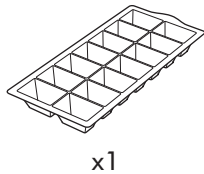
**Täglicher Gebrauch**

**Zubehör**

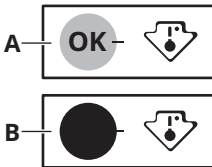
Eierschale



Eiswürfelbehälter



**Temperaturanzeige**

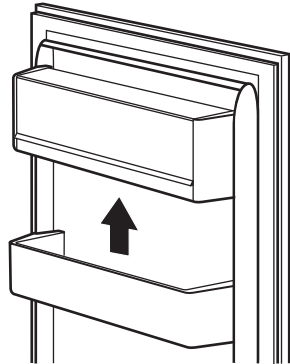


Für die richtige Lagerung von Lebensmitteln ist der Kühlschrank mit der Temperaturanzeige ausgestattet. Das Symbol an der Seitenwand des Geräts zeigt den kältesten Bereich im Kühlschrank an.

Wenn OK angezeigt wird (A), lagern Sie die frischen Lebensmittel im Bereich, der durch das Symbol angezeigt wird. Falls nicht (B), warten Sie mindestens 12 Stunden und prüfen Sie dann, ob OK (A) angezeigt wird.

Falls OK (B) immer noch nicht angezeigt wird, wählen Sie eine kältere Einstellung.

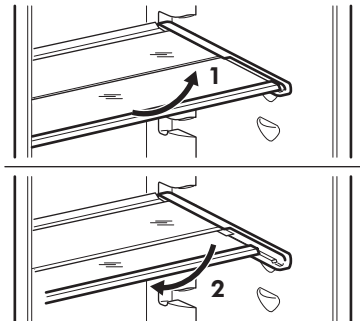
**Positionieren der Türablagen**



Die Türablagen können in verschiedener Höhe positioniert werden; damit ermöglichen sie das Lagern verschieden großer Lebensmittelpackungen.

Gehen Sie folgendermaßen vor: Ziehen Sie die Ablage langsam nach oben, bis sie sich herausnehmen lässt, und schieben Sie sie in die gewünschte Position ein.

**Bewegliche Ablagen**





Die Wände des Kühlschranks sind mit einer Reihe von Führungsschienen ausgestattet, die verschiedene Möglichkeiten für das Einsetzen der Ablagen bieten.

Dieses Gerät ist auch mit einer aus zwei Teilen bestehenden Ablage ausgestattet. Die vordere Hälfte kann unter der zweiten Hälfte platziert werden, um den Stauraum besser auszunutzen.

Ablage einschieben:

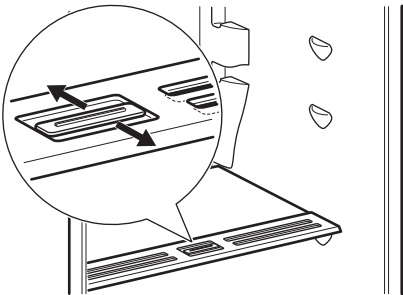
1. Nehmen Sie die vordere Hälfte vorsichtig heraus.
2. Schieben Sie sie in die untere Führung und unter die zweite Hälfte.

**⚠ Vorsicht!** Die Glasablagen über der Gemüseschublade sollten jedoch nicht verstellt werden, um eine korrekte Luftzirkulation zu gewährleisten.

**Feuchtigkeitsregelung**

Die Glasablage verfügt über eine Vorrichtung mit Schlitzen (einstellbar mit einem Schiebehebel), die es ermöglicht, die Feuchtigkeit in der(n) Gemüseschublade(n) zu regulieren.

**i** Legen Sie keine Lebensmittel auf die Feuchtigkeitskontrolle.



Bei geschlossenen Lüftungsschlitzen:  
Der natürliche Feuchtigkeitsgehalt der Lebensmittel in den Obst- und Gemüsefächern bleibt länger erhalten.

Bei geöffneten Lüftungsschlitzen:

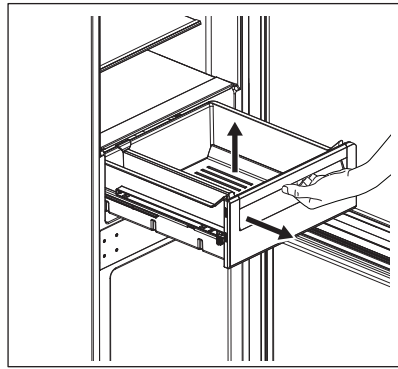
Mehr Luftzirkulation führt zu einer niedrigeren Luftfeuchtigkeit in den Obst- und Gemüsefächern.

**Gemüseschublade**

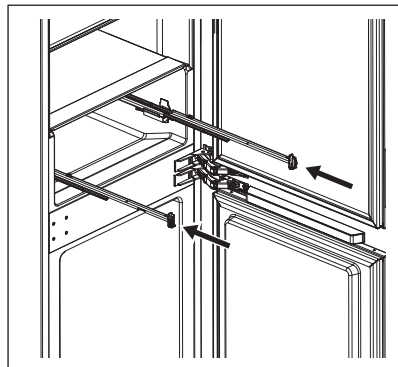
Die Schublade eignet sich zur Aufbewahrung von Obst und Gemüse.

Herausnehmen der Schublade (z.B. zur Reinigung):

1. Ziehen Sie die Schublade heraus und heben Sie sie an.

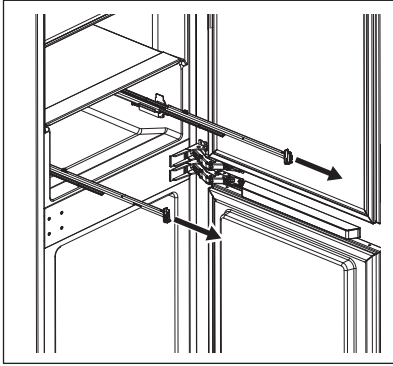


2. Schieben Sie die Schienen in das Gehäuse, um eine Beschädigung des Geräts beim Schließen der Tür zu verhindern.

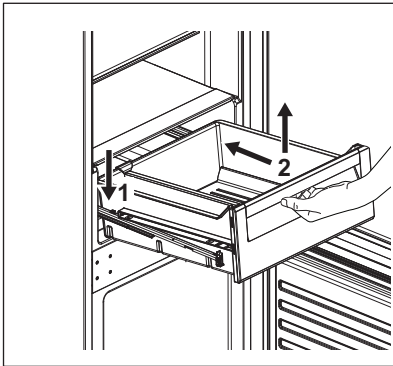


Um es wieder zusammenzubauen:

1. Ziehen Sie die Schienen heraus.



2. Setzen Sie den hinteren Teil der Schublade (1) auf die Schienen.



3. Heben Sie den vorderen Teil der Schublade (2) an, während Sie sie hineinschieben.
4. Drücken Sie den vorderen Teil der Schublade nach unten.

- i** Ziehen Sie die Schublade wieder heraus, um zu prüfen, ob sie richtig auf den hinteren und vorderen Haken sitzt.

### Verschiebbare Ablage

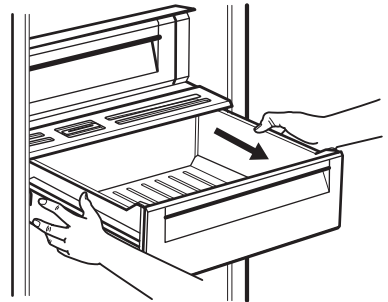
Das Oberteil der Gemüseschublade ist mit einer verschiebbaren Ablage ausgestattet, auf der sich zwei herausnehmbare Behälter befinden. Sie können für eine bessere

Erreichbarkeit nach Belieben umgesetzt werden. Jeder Behälter besitzt einen Deckel, der vor unerwünschten Gerüchen schützt.

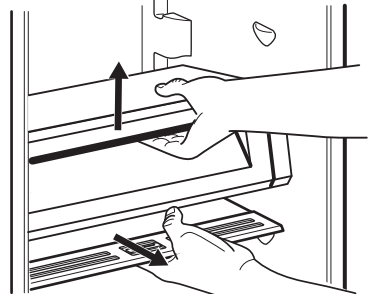
### Extra-Zone entfernen

Um die Extra-Zone aus dem Kühlschrank zu entfernen, führen Sie die folgenden Schritte aus:

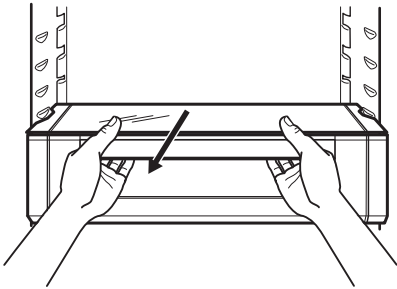
1. Ziehen Sie die Obst- und Gemüseschublade aus dem Kühlschrank.



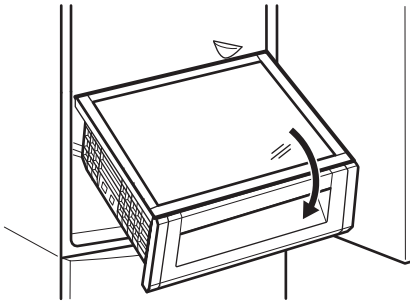
2. Heben Sie das Extra-Zonenfach an und ziehen Sie die Glasabdeckung mit Feuchtigkeitsregelung darunter heraus.



3. Halten Sie die Schublade mit der Glasabdeckung des Extra-Zonenfachs fest und ziehen Sie sie zu sich.

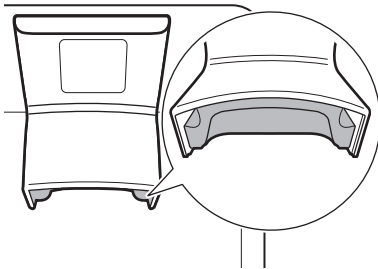


4. Neigen Sie das Modul nach unten, um es aus dem Kühlschrank zu nehmen.



**Ventilator Kühlung**

**⚠️ WARNUNG!** Entfernen Sie das Styropor am Boden des Geräts nicht.



Diese Vorrichtung schaltet sich bei Bedarf automatisch ein.

Das Gerät kann bei Bedarf auch manuell eingeschaltet werden (siehe „Funktion Ventilator Kühlung“).

**i** Der Ventilator ist nur bei geschlossener Tür in Betrieb. Wenn die Funktion automatisch eingeschaltet wurde, kann sie nicht ausgeschaltet werden. Der Ventilator schaltet sich automatisch aus.

**Einfrieren frischer Lebensmittel**

Das Gefrierfach eignet sich zum Einfrieren frischer Lebensmittel und zur langfristigen Aufbewahrung gefrorener und tiefgefrorener Lebensmittel.

Um frische Lebensmittel einzufrieren, aktivieren Sie bitte die Schnellgefrieren-Funktion mindestens 24 Stunden, bevor Sie die einzufrierenden Lebensmittel in das Gefrierfach legen.

Lagern Sie frische Lebensmittel gleichmäßig verteilt im ersten Fach oder der ersten Schublade von oben.

Die maximale Menge an Lebensmitteln, die ohne Hinzufügen von anderen frischen Lebensmittel innerhalb von 24 Stunden eingefroren werden kann, ist auf dem Typenschild (einem Schild im Gerät) angegeben.

Nach Abschluss des Gefriervorgangs kehrt das Gerät automatisch auf die vorherige Temperatureinstellung zurück (siehe „Schnellgefrieren-Funktion“).

Weitere Informationen finden Sie unter „Tipps zum Einfrieren“.

**Lagerung von Tiefkühlgerichten**

Lassen Sie das Gerät vor der ersten Inbetriebnahme oder nach einer Zeit, in der das Gerät nicht benutzt wurde, mindestens 3 Stunden lang mit eingeschalteter Funktion Schnellgefrieren laufen, bevor Sie Lebensmittel in das Fach legen.

Die Gefrierschubladen sorgen dafür, dass das gewünschte Lebensmittelpaket schnell und einfach zu finden ist. Sollen große Mengen an Lebensmitteln aufbewahrt werden, entfernen Sie alle Schubladen aus dem Gerät und legen Sie die Lebensmittel direkt auf die Ablagen.

Lagern Sie die Lebensmittel mit einem Mindestabstand von 15 mm zur Tür.

**⚠ Vorsicht!** Kam es zum Beispiel zum Auftauen durch einen Stromausfall, der länger dauerte, als der auf dem Typenschild angegebene Wert unter Lagerzeit bei Störung, dann müssen die aufgetauten Lebensmittel schnell verbraucht oder sofort gekocht und nach dem Abkühlen wieder eingefroren werden. Siehe „Hochtemperaturwarnung“.

## Abtauen

Tiefgefrorene oder gefrorene Lebensmittel können vor dem Verzehr im Kühlschrank

oder in einem Plastikbeutel unter kaltem Wasser aufgetaut werden.

Dieser Vorgang hängt von der verfügbaren Zeit und der Lebensmittelart ab. Kleinere Gefriergutteile können sogar noch gefroren gekocht werden.

## Herstellen von Eiswürfeln

Dieses Gerät ist mit einer oder mehreren Schalen für die Herstellung von Eiswürfeln ausgestattet.

**i** Verwenden Sie zum Entnehmen der Schalen aus dem Gefrierfach keine Gegenstände aus Metall.

1. Füllen Sie die Schalen mit Wasser.
2. Stellen Sie die Eisschalen in das Gefrierfach.

## Tipps und Hinweise

### Tipps zum Energiesparen

- Gefriergerät: Die interne Konfiguration des Geräts gewährleistet die effizienteste Energienutzung.
- Kühlschrank: Die effizienteste Energienutzung wird erreicht, wenn die Schubladen im unteren Teil des Geräts eingesetzt und die Ablagen gleichmäßig angeordnet sind. Die Position der Türablagen wirkt sich nicht auf den Energieverbrauch aus.
- Öffnen Sie die Tür nicht zu häufig, und lassen Sie diese nicht länger offen als notwendig.
- Gefriergerät: Je kälter die Temperatureinstellung, desto höher der Energieverbrauch.
- Kühlschrank: Stellen Sie die Temperatur nicht zu hoch ein, um Energie zu sparen, es sei denn, dies ist wegen der


Beschaffenheit des Lebensmittels erforderlich.

- Wenn die Umgebungstemperatur hoch ist, der Temperaturregler auf eine niedrige Temperatur eingestellt und das Gerät voll beladen ist, kann es zu andauerndem Betrieb des Kompressors und damit zu Reif- oder Eisbildung am Verdampfer kommen. Stellen Sie in diesem Fall den Temperaturregler auf eine höhere Temperatur, um das automatische Abtauen zu ermöglichen und Energie zu sparen.
- Sorgen Sie für eine gute Belüftung. Bedecken Sie die Belüftungsgitter oder -öffnungen nicht.
- Vergewissern Sie sich, dass die Lebensmittel im Inneren des Geräts eine Luftzirkulation durch entsprechende Öffnungen im hinteren Teil des Geräts ermöglichen.

## Tipps zum Einfrieren

- Schalten Sie die Schnellgefrieren-Funktion mindestens 24 Stunden, bevor Sie die Lebensmittel in das Gefrierfach hinein legen, ein.
- Verpacken Sie frische Lebensmittel vor dem Einfrieren in Aluminiumfolie, Plastikfolie oder -beutel oder luftdichte Behälter mit Deckel.
- Teilen Sie die Lebensmittel in kleine Portionen, um das Einfrieren und Auftauen zu erleichtern.
- Es wird empfohlen, tiefgekühlte Lebensmittel mit Etiketten und Datum zu versehen. So können Sie die Lebensmittel identifizieren und erkennen, wann sie verzehrt werden sollten, bevor sie verderben.
- Die Lebensmittel sollten beim Einfrieren frisch sein, um eine gute Qualität zu bewahren. Besonders Obst und Gemüse sollte direkt nach der Ernte eingefroren werden, um alle Nährstoffe zu erhalten.
- Frieren Sie keine Flaschen oder Dosen mit Flüssigkeiten, insbesondere kohlenstoffhaltige Getränke, ein – die Gefäße können beim Einfrieren explodieren.
- Geben Sie keine heißen Lebensmittel in den Gefrierraum. Vergewissern Sie sich, dass sie auf Raumtemperatur abgekühlt sind, bevor Sie sie in das Fach legen.
- Um eine Erwärmung bereits eingefrorener Lebensmittel zu verhindern, legen Sie frische, nicht gefrorene Lebensmittel nicht direkt neben sie. Legen Sie Lebensmittel mit Raumtemperatur in Gefrierfächer, die keine gefrorenen Lebensmittel enthalten.
- Essen Sie keine Eiswürfel, Wassereis oder Eis am Stiel, wenn sie direkt aus dem Gefriergerät genommen wurden. Gefahr von Erfrierungen.
- Frieren Sie aufgetaute Lebensmittel nicht wieder ein. Wenn Lebensmittel aufgetaut wurden, kochen Sie sie, lassen Sie sie abkühlen und frieren Sie sie dann ein.

## Hinweise zur Lagerung von Tiefkühlgerichten

- Das Gefrierfach ist mit  gekennzeichnet.
- Eine gute Temperatureinstellung, die die Konservierung von Tiefkühlgerichten sicherstellt, ist eine Temperatur von weniger oder gleich -18 °C. Eine höhere Temperatureinstellung im Gerät kann die Haltbarkeit verkürzen.
- Der gesamte Gefrierraum ist für die Lagerung von Tiefkühlprodukten geeignet.
- Lassen Sie ausreichend Platz um die Lebensmittel herum, damit die Luft frei zirkulieren kann.
- Die Haltbarkeit von Lebensmitteln ist auf dem Etikett der Lebensmittelverpackung angegeben.
- Es ist wichtig, die Lebensmittel so zu verpacken, dass kein Wasser, Feuchtigkeit oder Kondenswasser ins Innere gelangt.

## Einkaufstipps

Nach dem Lebensmitteleinkauf:

- Achten Sie darauf, dass die Verpackung nicht beschädigt ist - die Lebensmittel könnten verdorben sein. Wenn die Verpackung aufgequollen oder nass ist, wurde das Lebensmittel möglicherweise nicht unter den optimalen Bedingungen gelagert und das Auftauen hat eventuell bereits begonnen.
- Um den Auftauprozess zu minimieren, kaufen Sie Tiefkühlware am Ende Ihres Einkaufs und transportieren Sie diese in einer Isoliertasche.
- Legen Sie die tiefgefrorenen Lebensmittel sofort nach der Rückkehr aus dem Laden in das Gefriergerät.
- Wenn Lebensmittel auch nur teilweise aufgetaut sind, dürfen sie nicht wieder eingefroren werden. Verzehren Sie sie schnell wie möglich.
- Beachten Sie das Haltbarkeitsdatum und die Lagerinformationen auf der Verpackung.


### Lagerdauer im Gefrierfach

Lebensmittel	Lagerdauer (Monate)
Brot	3
Früchte (außer Zitrusfrüchten)	6 - 12
Gemüse	8 - 10
Reste ohne Fleisch	1 - 2
<b>Molkereiprodukte:</b>	
Butter	6 - 9
Weichkäse (z. B. Mozzarella)	3 - 4
Hartkäse (z. B. Parmesan, Cheddar)	6
<b>Meeresfrüchte:</b>	
Fetthaltiger Fisch (z. B. Lachs, Makrele)	2 - 3
Fettarmer Fisch (z. B. Dorsch, Flunder)	4 - 6
Shrimps	12
Muscheln und Miesmuscheln ohne Schale	3 - 4
Gekochter Fisch	1 - 2
<b>Fleisch:</b>	
Geflügel	9 - 12
Rindfleisch	6 - 12
Schweinefleisch	4 - 6
Lamm	6 - 9
Wurst	1 - 2
Schinken	1 - 2
Reste mit Fleisch	2 - 3


### Tipps für die Kühlung frischer Lebensmittel

- Eine gute Temperatureinstellung, die die Konservierung von frischen Lebensmitteln sicherstellt, ist eine Temperatur von weniger oder gleich +4 °C.  
Eine höhere Temperatureinstellung im Gerät kann die Haltbarkeit der Lebensmittel verkürzen.
- Decken Sie die Lebensmittel mit Verpackungsmaterial ab, um ihre Frische und ihr Aroma zu bewahren.
- Verwenden Sie immer geschlossene Behälter für Flüssigkeiten und Lebensmittel, um Düfte oder Gerüche im Fach zu vermeiden.
- Um eine Kreuzkontamination zwischen gekochten und rohen Lebensmitteln zu vermeiden, decken Sie die gekochten Lebensmittel ab und trennen Sie sie von den rohen.
- Es wird empfohlen, Lebensmittel im Kühlschrank aufzutauen.
- Stellen Sie keine warmen Lebensmittel in das Gerät. Vergewissern Sie sich, dass sie auf Raumtemperatur abgekühlt sind, bevor Sie sie in das Gerät stellen.
- Um eine Verschwendung von Lebensmitteln zu vermeiden, sollten neue Lebensmittel immer hinter die alten gelegt werden.


## Hinweise für die Kühlung von Lebensmitteln

- Das Fach für frische Lebensmittel ist (auf dem Typenschild) gekennzeichnet mit .
- Fleisch (alle Sorten): Wickeln Sie Fleisch in geeignetes Material und legen Sie dieses auf die Glasablage über der Gemüseschublade. Lagern Sie Fleisch höchstens 1 - 2 Tage.
- Obst und Gemüse: Gründlich reinigen (Erde entfernen) und in die spezielle Schublade (Obst- und Gemüseschublade) legen.
- Es wird empfohlen, exotische Früchte wie Bananen, Mangos, Papayas usw. nicht im Kühlschrank aufzubewahren.
- Gemüse wie Tomaten, Kartoffeln, Zwiebeln und Knoblauch sollten nicht im Kühlschrank aufbewahrt werden.
- Butter und Käse: Diese sollten stets in luftdichten Behältern verpackt sein oder in Aluminiumfolie bzw. in Polyäthylenbeutel eingepackt werden, um so wenig Luft wie möglich in der Verpackung zu haben.
- Flaschen: Sie sollten mit Deckel in der Flaschenablage in der Tür oder im Flaschenhalter (falls vorhanden) aufbewahrt werden.
- Es wird empfohlen für eine schnellere Kühlung der Produkte den Ventilator einzuschalten. Durch das Einschalten von Ventilator Kühlung wird eine gleichmäßigere Innentemperatur erzielt.
- Achten Sie auf das Haltbarkeitsdatum der Lebensmittel, damit Sie wissen, wie lange sie gelagert werden können.

## Reinigung und Pflege

 **WARNUNG!** Siehe Kapitel Sicherheitshinweise.

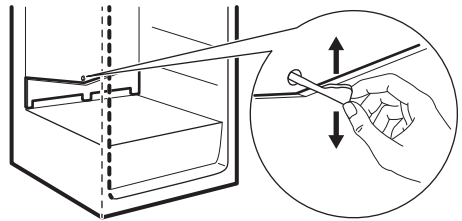
### Regelmäßige Reinigung

 Entleeren Sie das Gerät vor der Reinigung.

Das Gerät muss regelmäßig gereinigt werden:

1. Reinigen Sie die Innenseite und das Zubehör mit lauwarmem Wasser und etwas neutraler Seife.
2. Prüfen und säubern Sie die Türdichtungen in regelmäßigen Abständen, um zu gewährleisten, dass diese sauber und frei von Fremdkörpern sind.
3. Gründlich abspülen und trocknen.

### Abtauen des Kühlschranks



Reif im Verdampfer des Kühlfachs wird bei jedem Anhalten des Motorkompressors während des Normalbetriebs automatisch eliminiert. Das Abtauwasser läuft durch eine Wanne in einen speziellen Behälter an der Rückseite des Geräts über dem Motorkompressor ab, wo es verdampft.

Es ist wichtig, das Abflussloch für das Abtauwasser in der Mitte des Kühlfachkanals regelmäßig zu reinigen, um zu verhindern, dass das Wasser überläuft und auf die Lebensmittel im Inneren tropft.

Benutzen Sie hierfür den Rohrreiniger, der mit dem Gerät geliefert wird.

**Abtauen des Gefriergeräts**


Das Gefrierfach ist ein NoFrost-Fach. Das bedeutet, dass sich während des Betriebs weder an den Innenwänden noch an Lebensmitteln Reif bildet.

Bei längerem Stillstand des Geräts müssen Sie folgende Vorkehrungen treffen:

1. Trennen Sie das Gerät von der Stromversorgung.
2. Entfernen Sie alle Lebensmittel.
3. Reinigen Sie das Gerät und alle Zubehörteile.
4. Lassen Sie die Türen geöffnet, um unangenehme Gerüche zu vermeiden.

**Stillstandszeiten**

**Fehlersuche**

 **WARNUNG!** Siehe Kapitel Sicherheitshinweise.

**Was zu tun ist, wenn ...**




Störung	Mögliche Ursache	Lösung
Das Gerät funktioniert nicht.	Das Gerät ist ausgeschaltet.	Schalten Sie das Gerät ein.
Das Gerät funktioniert nicht.	Der Netzstecker ist nicht richtig in die Netzsteckdose eingesteckt.	Stecken Sie den Netzstecker richtig in die Netzsteckdose.
Das Gerät funktioniert nicht.	Die Netzsteckdose hat keine Netzspannung.	Schließen Sie ein anderes Elektrogerät an der Netzsteckdose an. Wenden Sie sich an einen qualifizierten Elektriker.
Das Gerät ist laut.	Das Gerät ist nicht ordnungsgemäß abgestützt.	Prüfen Sie, ob sich das Gerät in einer stabilen Position befindet.
Folgende Geräusche sind zu hören: Blubbern, Surren, Zischen, Knacken oder Klicken.		Das ist normal. Siehe Kapitel „Geräusche“.
Es wird ein akustisches oder optisches Alarmsignal ausgelöst.	Das Gerät wurde vor kurzem eingeschaltet.	Siehe „Alarm: Tür offen“ oder „Alarm: Hochtemperatur“.
Es wird ein akustisches oder optisches Alarmsignal ausgelöst.	Die Temperatur im Gerät ist zu hoch.	Siehe „Alarm: Tür offen“ oder „Alarm: Hochtemperatur“.




<b>Störung</b>	<b>Mögliche Ursache</b>	<b>Lösung</b>
Es wird ein akustisches oder optisches Alarmsignal ausgelöst.	Die Tür ist offen.	Schließen Sie die Tür.
Der Kompressor arbeitet ständig.	Die Temperatur ist falsch eingestellt.	Siehe Kapitel „Bedienfeld“.
Der Kompressor arbeitet ständig.	Es wurden viele Lebensmittel gleichzeitig hineingelegt.	Warten Sie einige Stunden und prüfen Sie erneut die Temperatur.
Der Kompressor arbeitet ständig.	Die Raumtemperatur ist zu hoch.	Siehe Kapitel „Montage“.
Der Kompressor arbeitet ständig.	Die Lebensmittel, die im Gerät aufbewahrt werden, waren zu warm.	Lassen Sie die Lebensmittel vor deren Aufbewahrung auf Raumtemperatur abkühlen.
Der Kompressor arbeitet ständig.	Die Tür ist nicht richtig geschlossen.	Siehe Abschnitt „Schließen der Tür“.
Der Kompressor arbeitet ständig.	Die Funktion Schnellgefrieren ist eingeschaltet.	Siehe Abschnitt „Funktion Schnellgefrieren“.
Der Kompressor arbeitet ständig.	Die Funktion Einkaufen ist eingeschaltet.	Siehe Abschnitt „Funktion Einkaufen“.
Der Kompressor schaltet sich nicht sofort ein, nachdem Sie „Schnellgefrieren“ oder „Einkaufen“ gedrückt oder die Temperatur auf einen anderen Wert eingestellt haben.	Der Kompressor startet nach einer gewissen Zeit.	Das ist normal; es ist kein Fehler aufgetreten.
Die Tür ist falsch ausgerichtet oder beeinträchtigt das Lüftungsgitter.	Das Gerät ist nicht ausgerichtet.	Siehe Montageanleitung.
Die Tür lässt sich nicht leicht öffnen.	Sie haben versucht, die Tür unmittelbar nach dem Schließen erneut zu öffnen.	Warten Sie einige Sekunden zwischen dem Schließen und erneutem Öffnen der Tür.
Die Lampe funktioniert nicht.	Die Lampe ist im Standby-Modus.	Schließen Sie die Tür und öffnen Sie die Tür wieder.
Die Lampe funktioniert nicht.	Die Lampe ist defekt.	Wenden Sie sich an das nächste autorisierte Servicezentrum.
Zu viel Frost und Eis.	Die Tür ist nicht richtig geschlossen.	Siehe Abschnitt „Schließen der Tür“.

<b>Störung</b>	<b>Mögliche Ursache</b>	<b>Lösung</b>
Zu viel Frost und Eis.	Die Dichtung ist verzogen oder verschmutzt.	Siehe Abschnitt „Schließen der Tür“.
Zu viel Frost und Eis.	Die Lebensmittel sind nicht richtig verpackt.	Verpacken Sie die Lebensmittel besser.
Zu viel Frost und Eis.	Die Temperatur ist falsch eingestellt.	Siehe Kapitel „Bedienfeld“.
Zu viel Frost und Eis.	Das Gerät ist voll von Lebensmitteln und auf die niedrigste Temperatur eingestellt.	Stellen Sie eine höhere Temperatur ein. Siehe Kapitel „Bedienfeld“.
Zu viel Frost und Eis.	Die Temperatur im Gerät ist zu niedrig und die Umgebungstemperatur ist zu hoch.	Stellen Sie eine höhere Temperatur ein. Siehe Kapitel „Bedienfeld“ und Abschnitt „Standort“.
Wasser fließt an der Rückwand des Kühlschranks herunter.	Während des automatischen Abtauprozesses taut das Eis an der Rückwand ab.	Das ist richtig.
An der Rückwand des Kühlschranks befindet sich zu viel Kondenswasser.	Die Tür wurde zu häufig geöffnet.	Öffnen Sie die Tür nur bei Bedarf.
An der Rückwand des Kühlschranks befindet sich zu viel Kondenswasser.	Die Tür wurde nicht vollständig geschlossen.	Achten Sie darauf, dass die Tür vollständig geschlossen ist.
An der Rückwand des Kühlschranks befindet sich zu viel Kondenswasser.	Die aufbewahrten Lebensmittel waren nicht verpackt.	Packen Sie die Lebensmittel richtig ein, bevor Sie diese in das Gerät legen.
Wasser fließt im Innern des Kühlschranks herunter.	Lebensmittel verhindern das Abfließen des Wassers in den Wassersammler.	Achten Sie darauf, dass die Lebensmittel nicht die Rückwand berühren.
Wasser fließt im Innern des Kühlschranks herunter.	Der Wasserablauf ist verstopft.	Reinigen Sie den Wasserablauf.
Wasser fließt auf den Boden.	Der Tauwasserablauf ist nicht an die Verdampfungsschale über dem Kompressor angeschlossen.	Bringen Sie den Tauwasserablauf an der Verdampfungsschale an.
Wasser fließt auf den Boden.	Die Tür wurde über einen längeren Zeitraum offen gelassen.	Öffnen Sie die Tür nur bei Bedarf.

<b>Störung</b>	<b>Mögliche Ursache</b>	<b>Lösung</b>
Wasser fließt auf den Boden.	Die Dichtung ist verzogen oder beschädigt.	Wenden Sie sich an den autorisierten Kundendienst.
Die Temperatur kann nicht eingestellt werden.	Die „Funktion Schnellgefrieren“, oder die „Funktion Einkaufen“ ist eingeschaltet.	Schalten Sie die „Funktion Schnellgefrieren“ oder die „Funktion Einkaufen“ manuell aus, oder warten Sie mit dem Einstellen der Temperatur, bis die Funktion automatisch ausgeschaltet wird. Siehe Abschnitt „Funktion Schnellgefrieren“ oder „Funktion Einkaufen“.
Die Temperatur im Gerät ist zu niedrig/zu hoch.	Die Temperatur ist nicht richtig eingestellt.	Stellen Sie eine höhere/niedrigere Temperatur ein.
Die Temperatur im Gerät ist zu niedrig/zu hoch.	Die Tür ist nicht richtig geschlossen.	Siehe Abschnitt „Schließen der Tür“.
Die Temperatur im Gerät ist zu niedrig/zu hoch.	Die Temperatur der Lebensmittel ist zu hoch.	Lassen Sie die Lebensmittel auf Raumtemperatur abkühlen, bevor Sie diese in das Kühlgerät legen.
Die Temperatur im Gerät ist zu niedrig/zu hoch.	Viele Lebensmittel werden gleichzeitig in das Kühlgerät gelegt.	Legen Sie weniger Lebensmittel gleichzeitig in das Kühlgerät.
Die Temperatur im Gerät ist zu niedrig/zu hoch.	Die Tür wurde zu oft geöffnet.	Öffnen Sie die Tür nur bei Bedarf.
Die Temperatur im Gerät ist zu niedrig/zu hoch.	Die Funktion Schnellgefrieren ist eingeschaltet.	Siehe Abschnitt „Funktion Schnellgefrieren“.
Die Temperatur im Gerät ist zu niedrig/zu hoch.	Die Funktion Einkaufen ist eingeschaltet.	Siehe Abschnitt „Funktion Einkaufen“.
Die Temperatur im Gerät ist zu niedrig/zu hoch.	Im Gerät herrscht keine Kaltluftzirkulation.	Stellen Sie sicher, dass die Kaltluft im Gerät zirkulieren kann. Siehe Kapitel „Tipps und Hinweise“.
DEMO auf dem Display.	Das Gerät befindet sich im Demo-Modus.	Halten Sie Taste OK etwa 10 Sekunden gedrückt, bis ein langer Signalton ertönt und das Display für kurze Zeit ausgeschaltet wird.

Störung	Mögliche Ursache	Lösung
In der Temperaturanzeige ist das Symbol  ,  oder  anstatt der Zahlen zu sehen.	Problem mit dem Temperatursensor.	Wenden Sie sich an das nächste autorisierte Servicezentrum. (Das Kühlsystem hält zwar die Lebensmittel weiterhin kalt, doch die Temperatureinstellung ist nicht mehr möglich).


 Wenn die Ratschläge nicht zum gewünschten Ergebnis führen, wenden Sie sich an das nächste autorisierte Servicezentrum.

**Austauschen der Lampe**

Das Gerät ist mit einer langlebigen LED-Innenbeleuchtung ausgestattet.

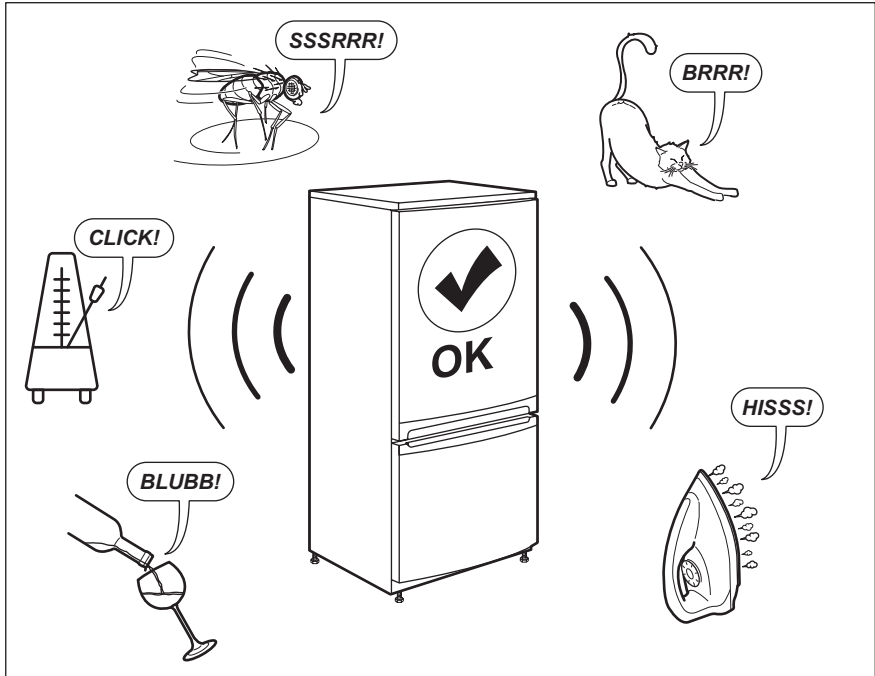
Die Beleuchtung darf nur von einer Fachkraft ausgetauscht werden. Wenden Sie sich an Ihren autorisierten Kundendienst.

**Schließen der Tür**

 Vermeiden Sie es, die Türen zuzuschlagen, um zu verhindern, dass Gegenstände, die im Inneren aufbewahrt werden, sich verschieben oder herunterfallen.

1. Reinigen Sie die Türdichtungen.
2. Passen Sie die Tür bei Bedarf an. Siehe die Montageanleitung.
3. Tauschen Sie bei Bedarf die defekten Türdichtungen aus. Wenden Sie sich an den autorisierten Kundendienst.

Geräusche



Technische Daten

<b>Produktkategorie</b>	
Gerätetyp	Kühlschrank - Gefrierschrank
Montageart	Nur Einbaugerät
<b>Produktabmessungen</b>	
Höhe	1884 mm
Breite	546 mm
Tiefe	549 mm
<b>Nettovolumen</b>	



## Informationen für Prüfinstitute

Die Installation und die Vorbereitung des Geräts für eine eventuelle EcoDesign-Prüfung müssen mit EN 62552 übereinstimmen. Die Lüftungsanforderungen, die Einbaunische und die Mindestabstände sind in dieser

Bedienungsanleitung in Kapitel 3 beschrieben. Weitere Informationen erhalten Sie vom Hersteller, einschließlich der Beladungspläne.

## Informationen zur Entsorgung

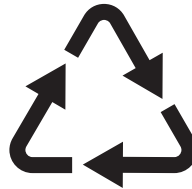
### Ihre Pflichten als Endnutzer



Dieses Elektro- bzw. Elektronikgerät ist mit einer durchgestrichenen Abfalltonne auf Rädern gekennzeichnet. Das Gerät darf deshalb nur getrennt vom unsortierten Siedlungsabfall gesammelt und zurückgenommen werden, es darf also nicht in den Hausmüll gegeben werden. Das Gerät kann z. B. bei einer kommunalen Sammelstelle oder ggf. bei einem Verteiler (siehe zu deren Rücknahmepflichten unten) abgegeben werden. Das gilt auch für alle Bauteile, Unterbaugruppen und Verbrauchsmaterialien des zu entsorgenden Altgeräts.

Bevor das Altgerät entsorgt werden darf, müssen alle Altbatterien und Altakkumulatoren vom Altgerät getrennt werden, die nicht vom Altgerät umschlossen sind. Das gleiche gilt für Lampen, die zerstörungsfrei aus dem Altgerät entnommen werden können. Der Endnutzer ist zudem selbst dafür verantwortlich, personenbezogene Daten auf dem Altgerät zu löschen.

### Hinweise zum Recycling



Helfen Sie mit, alle Materialien zu recyceln, die mit diesem Symbol gekennzeichnet sind. Entsorgen Sie solche Materialien, insbesondere Verpackungen, nicht im Hausmüll sondern über die bereitgestellten Recyclingbehälter oder die entsprechenden örtlichen Sammelsysteme.

Recyceln Sie zum Umwelt- und Gesundheitsschutz auch elektrische und elektronische Geräte.

### Rücknahmepflichten der Verteiler in Deutschland

Wer auf mindestens 400 m<sup>2</sup> Verkaufsfläche Elektro- und Elektronikgeräte vertreibt oder sonst geschäftlich an Endnutzer abgibt, ist verpflichtet, bei Abgabe eines neuen Geräts ein Altgerät des Endnutzers der gleichen Geräteart, das im Wesentlichen die gleichen Funktionen wie das neue Gerät erfüllt, am Ort der Abgabe oder in unmittelbarer Nähe hierzu unentgeltlich zurückzunehmen. Das gilt auch für Verteiler von Lebensmitteln mit einer Gesamtverkaufsfläche von mindestens 800 m<sup>2</sup>, die mehrmals im Kalenderjahr oder dauerhaft Elektro- und Elektronikgeräte anbieten und auf dem Markt bereitstellen. Solche Verteiler müssen zudem auf Verlangen des

Endnutzers Altgeräte, die in keiner äußeren Abmessung größer als 25 cm sind (kleine Elektrogeräte), im Einzelhandelsgeschäft oder in unmittelbarer Nähe hierzu unentgeltlich zurückzunehmen; die Rücknahme darf in diesem Fall nicht an den Kauf eines Elektro- oder Elektronikgerätes geknüpft, kann aber auf drei Altgeräte pro Geräteart beschränkt werden.

Ort der Abgabe ist auch der private Haushalt, wenn das neue Elektro- oder Elektronikgerät dorthin geliefert wird; in diesem Fall ist die Abholung des Altgerätes für den Endnutzer kostenlos.

Die vorstehenden Pflichten gelten auch für den Vertrieb unter Verwendung von Fernkommunikationsmitteln, wenn die Vertreiber Lager- und Versandflächen für Elektro- und Elektronikgeräte bzw. Gesamtlager- und -versandflächen für Lebensmittel vorhalten, die den oben genannten Verkaufsflächen entsprechen. Die unentgeltliche Abholung von Elektro- und Elektronikgeräten ist dann aber auf Wärmeüberträger (z. B. Kühlschrank), Bildschirme, Monitore und Geräte, die Bildschirme mit einer Oberfläche von mehr als 100 cm<sup>2</sup> enthalten, und Geräte beschränkt, bei denen mindestens eine der äußeren Abmessungen mehr als 50 cm beträgt. Für alle übrigen Elektro- und Elektronikgeräte muss der Vertreiber geeignete Rückgabemöglichkeiten in zumutbarer Entfernung zum jeweiligen Endnutzer gewährleisten; das gilt auch für

kleine Elektrogeräte (s.o.), die der Endnutzer zurückgeben will, ohne ein neues Gerät zu kaufen.

### **Rücknahmepflichten von Vertreibern und andere Möglichkeiten der Entsorgung von Elektro- und Elektronikgeräten in der Region Wallonien**

Vertreiber, die Elektro- und Elektronikgeräte verkaufen, sind verpflichtet, bei der Lieferung von Neugeräten Altgeräte desselben Typs, die im Wesentlichen die gleichen Funktionen wie die Neugeräte erfüllen, kostenlos vom Endverbraucher zurückzunehmen. Dies gilt auch bei der Lieferung von neuen Elektro- und Elektronikgeräten oder beim Fernabsatz.

Darüber hinaus ist jeder, der Elektro- und Elektronikgeräte auf einer Verkaufsfläche von mindestens 400 m<sup>2</sup> verkauft, verpflichtet, Altgeräte, die in keiner äußeren Abmessung größer als 25 cm sind (Elektrokleingeräte), im Ladengeschäft oder in unmittelbarer Nähe kostenlos zurückzunehmen; die Rücknahme darf in diesem Fall nicht vom Kauf eines Elektro- oder Elektronikgerätes abhängig gemacht werden.

Die Rücknahme von Elektro- und Elektronikgeräten kann auch auf Containerplätzen oder zugelassenen Recyclinghöfen erfolgen. Für weitere Informationen wenden Sie sich bitte an Ihre Gemeindeverwaltung.

## **IKEA Garantie**

### **Wie lang ist die IKEA Garantie gültig?**

Diese Garantie ist 5 Jahre ab dem Originalkaufdatum Ihres Gerätes bei IKEA gültig. Als Kaufnachweis müssen der Originalkassenbono oder die Originalrechnung vorgelegt werden. Arbeiten, die im Rahmen der Garantie ausgeführt werden, verlängern nicht die Garantiezeit für das Gerät.

### **Wer übernimmt den Kundendienst?**

Der IKEA Kundendienst wird diesen Service über seinen eigenen Kundendienst oder über ein autorisiertes Partner-Netzwerk durchführen lassen.

### **Was deckt die Garantie ab?**

Die Garantie deckt Material- und Produktionsfehler ab. Sie gilt ab dem Datum,



an dem das Elektrogerät bei IKEA gekauft wurde. Diese Garantie gilt nur für private Haushalte. Die Ausnahmen sind unter der Rubrik "Was ist nicht durch diese Garantie abgedeckt?" beschrieben. Innerhalb des Garantiezeitraums werden die Kosten zur Behebung eines Fehlers wie Reparaturen, Ersatzteile, Arbeitszeit und Fahrtkosten abgedeckt, vorausgesetzt, dass das Gerät ohne besonderen Kostenaufwand für die Reparatur zugänglich ist und dass der Fehler direkt auf einen Konstruktionsfehler oder einen Materialfehler zurückgeht, der durch die Garantie abgedeckt ist. Bei diesen Bedingungen gelten die EU-Richtlinien (Nr. 99/44/EG) und die entsprechenden gesetzlichen Vorschriften. Teile, die ersetzt wurden, gehen in das Eigentum von IKEA über.

### **Was wird IKEA zur Lösung des Problems tun?**

IKEA hat Kundendienste, die das Produkt untersuchen und eigenständig entscheiden, ob das Problem durch die Garantie abgedeckt ist oder nicht. Wenn entschieden wird, dass der Fall unter die Garantie fällt, repariert der IKEA Kundendienst oder ein autorisierter Service-Partner über seinen eigenen Service eigenständig das defekte Produkt, oder sie ersetzen es durch ein gleiches oder durch ein gleichwertiges Produkt.

### **Was ist nicht durch diese Garantie abgedeckt?**

- Der normale Verschleiß.
- Bewusste oder durch Fahrlässigkeit entstandene Schäden, die durch eine Missachtung der Bedienungsanweisung, eine unsachgemäße Installation oder durch den Anschluss an eine falsche Spannung, sowie Schäden, die durch eine chemische oder elektrochemische Reaktion (Rost, Korrosion oder Wasserschäden eingeschlossen - aber nicht darauf beschränkt) - Schäden, die durch übermäßigen Kalk in der Wasserzuleitung entstanden sind, und Schäden, die durch ungewöhnliche Umweltbedingungen entstanden sind.
- Verbrauchsgüter wie Batterien und Lampen.
- Nicht-funktionale und dekorative Teile, die den normalen Betrieb des Gerätes nicht beeinträchtigen, einschließlich Kratzer und möglicher Farbunterschiede.
- Versehentliche Beschädigung durch Fremdojekte der Substanzen und Reinigung oder Loslösen von Filtern, Drainagesystemen oder Reinigungsmittel-Schubladen.
- Beschädigung folgender Teile: Glaskeramik, Zubehör, Geschirr und Besteckkörbe, Zuleitungen und Drainageschläuche/-rohre, Lampen und Lampenabdeckungen, Knöpfe/ Wählschalter, Gehäuse und Teile des Gehäuses; es sei denn, es kann nachgewiesen werden, dass diese Schäden durch Produktionsfehler verursacht wurden.
- Fälle, in denen bei einem Besuch des Kundendienstes kein Fehler gefunden werden konnte.
- Reparaturen, die nicht durch unser autorisiertes Kundendienstpersonal und/ oder das autorisierte Kundendienstpersonal unserer Vertragspartner ausgeführt wurden, oder Fälle, in denen keine Originalteile verwendet wurden.
- Reparaturen, die durch fehlerhafte und nicht gemäß der Anleitung durchgeführte Installation verursacht wurden.
- Die Nutzung des Gerätes in einer professionellen Art und Weise, d.h. nicht im privaten Haushalt.
- Transportschäden. Wenn ein Kunde das Produkt nach Hause oder an eine andere Adresse transportiert, haftet IKEA nicht für Schäden, die während dieses Transports entstehen. Liefert IKEA das Produkt an die Lieferadresse des Kunden aus, dann sind Schäden, die während der Auslieferung des Produktes entstehen, von der Garantie abgedeckt.
- Die Kosten zur Durchführung der Erstinstallation des IKEA Gerätes. Falls der IKEA Kundendienst oder sein autorisierter Service-Partner das Gerät als Garantiefall

instandsetzt oder ersetzt, installiert der Kundendienst oder sein autorisierter Service-Partner bei Bedarf das Gerät auch wieder oder er installiert das Ersatzgerät.

Diese Einschränkung gilt nicht für fehlerfreie Arbeiten, die von qualifiziertem Fachpersonal durchgeführt wurden, um das Gerät an den technischen Sicherheitsstandard eines anderen EU-Landes anzupassen.

**Wie gilt die geltende Gesetzgebung des Landes**

Die IKEA Garantie gibt Ihnen spezielle gesetzliche Rechte, die alle lokalen gesetzlichen Anforderungen abdecken oder übertreffen, die einer Änderung von Land zu Land unterworfen sind.

**Gültigkeitsbereich**

Für Geräte, die in einem EU-Land gekauft und in ein anderes EU-Land mitgenommen werden, stehen die Kundendienstleistungen im Rahmen der Garantiebedingungen bereit, die im neuen Land gültig sind. Eine Verpflichtung, Dienstleistungen im Rahmen der Garantie auszuführen, besteht nur dann, wenn:

- das Gerät den technischen Spezifikationen des Landes, in dem der Garantieanspruch gemacht wird, entspricht, und es in Übereinstimmung mit diesen technischen Spezifikationen des Landes installiert wurde;
- das Gerät in Übereinstimmung mit den Montageanleitungen und den Sicherheitsinformationen im Benutzerhandbuch installiert wurde und diesen Anleitungen und Informationen entspricht.

**Der spezielle Kundendienst (Service) für IKEA Geräte:**

Bitte zögern Sie nicht, den speziellen IKEA Kundendienst (Service) zu kontaktieren für:

1. einen Anspruch unter dieser Garantie;
2. die Bitte um Klärung von Fragen zur Installation des IKEA Gerätes im speziellen IKEA Küchenmöbel. Der

Kundendienst kann keine Fragen beantworten zu:

- der gesamten IKEA Kücheninstallation;
- Anschlüsse an die Elektrik (falls das Gerät ohne Netzkabel und Stecker kommt), Anschlüsse an Wasser und Gas, da diese Arbeiten von einem autorisierten Kundendiensttechniker ausgeführt werden müssen.

3. die Bitte um Klärung von Fragen zu Inhalten des Benutzerhandbuchs und zu Spezifikationen des IKEA Geräts.

Um sicherzustellen, dass wir Sie stets optimal unterstützen, lesen Sie bitte die Montageanleitung und/oder den Bedienungsanleitungsabschnitt dieser Broschüre durch, bevor Sie sich an uns wenden.

**Wie können Sie uns erreichen, wenn Sie uns benötigen?**



Auf der letzten Seite dieser Broschüre finden Sie eine vollständige Liste mit offiziellen IKEA Kundendienststellen und den jeweiligen nationalen Telefonnummern.



Damit Sie bei Fragen rasch die zuständige Stelle erreichen, empfehlen wir Ihnen, die am Ende dieser Broschüre aufgelisteten speziellen Telefonnummern zu benutzen. Beziehen Sie sich bitte stets auf die Telefonnummern, die in der Broschüre zu dem jeweiligen Gerät aufgelistet sind, zu dem Sie Fragen haben. Bevor Sie uns anrufen, vergewissern Sie sich, dass Sie die IKEA-Artikelnummer (8-stelliger Code) und die Seriennummer (8-stelliger Code, der auf dem Typenschild zu finden ist) für das Gerät, für das Sie unsere Hilfe benötigen, abgeben müssen.



**BITTE BEWAHREN SIE DEN KAUFBELEG AUF!** Er ist Ihr Kaufnachweis und für einen Garantieanspruch unerlässlich. Bitte beachten Sie, dass auf diesem Kaufbeleg auch die IKEA Artikelbezeichnung und die Nummer (der 8-stellige Zifferncode) für jedes der Geräte, die Sie gekauft haben, vermerkt sind.

### **Benötigen Sie zusätzlich Hilfe?**

Für alle weiteren Fragen, die sich nicht auf den Kundendienst Ihres Gerätes beziehen, wenden Sie sich bitte an das Call Center der nächsten IKEA-Einrichtung. Wir empfehlen Ihnen, die Dokumentation des Geräts sorgfältig durchzulesen, bevor Sie uns kontaktieren.

Country	Phone number	Call Fee	Opening time
<b>België</b>	02/716.24.44	Binnenlandse gesprekskosten	8 tot 18.30 Weekdagen Zaterdag 9 tot 13u
<b>Belgique</b>		Tarif des appels nationaux	8 à 18.30 en semaine Samedi 9 à 13h
<b>България</b>	+359 2 492 9397	Според тарифата на оператора за обаждания към стационарен номер	От 8:30 до 17:30 ч в работни дни
<b>Česká Republika</b>	246 019721	Cena za místní hovor	8 až 20 v pracovních dnech
<b>Danmark</b>	70 15 09 09	Landstakst	man. - fre. 09.00 - 20.00 lør. - søn. 09.00 - 18.00
<b>Deutschland</b>	+49 (0)911 323 1016*	* 0,20 €/Verbindung aus dem Fest-netz max. 0,60 €/Verbindung aus dem Mobilfunknetz	Werktags von 8.00 bis 20.00
<b>Ελλάδα</b>	211 176 8276	Υπεραστική κλήση	8 έως 20 κατά τις εργάσιμες ημέρες
<b>España</b>	91 1875537	Tarifa de llamadas nacionales	De 8 a 20 en días laborables
<b>France</b>	0170 36 02 05	Tarif des appels nationaux	9 à 21. En semaine
<b>Hrvatska</b>	00385 1 6323 339	Cijena ovisi o pružatelju telefonske usluge korisnika	radnim danom od ponedjeljka do petka od 08:00 do 16:00
<b>Ireland</b>	0 14845915	National call rate	8 till 20 Weekdays
<b>Ísland</b>	+354 5852409	Innanlandsgjald fyrir síma	9 til 18. Virka daga
<b>Italia</b>	02 00620818	Tariffa applicata alle chiamate nazionali	dalle 8 alle 20 nei giorni feriali
<b>Κυπρος</b>	22 030 529	Υπεραστική κλήση	8.30 έως 16.30 κατά τις εργάσιμες ημέρες
<b>Lietuva</b>	5 230 06 99	Nacionalinių pokalbių tarifai	Pr. - Ketv.: 8:00 - 12:00; 12:45 - 17:00 Pnkt.: 8:00 - 12:00; 12:45 - 15:45
<b>Luxembourg</b>	35242431301	Tarif des appels nationaux	Lu-Ven 8:00-12:00/13:00-17:00
<b>Magyarország</b>	06-1-252-1773	Belföldi díjszabás	Hétköznap 8.00 és 17.00 óra között
<b>Nederland</b>	0172/468568	Geen extra kosten. Alleen lokaal tarief	ma-vr: 8:00 - 18:30 zat: 9:00 - 13:00
<b>Norge</b>	22 72 35 00	Takst innland	8 til 18 ukedager
<b>Österreich</b>	+43-1-2056356	max. 10 Cent/min.	Mo - Fr 8.00 - 20.00 Uhr
<b>Polska</b>	801 400 711 +48 22 749 60 99	Koszt zgodny z taryfą operatora	Od 8 do 20 w dni robocze
<b>Portugal</b>	211557985	Chamada Nacional	9 às 21. Dias de Semana *excepto feriados
<b>România</b>	021 211 08 88	Tarif apel național	8 - 20 în zilele lucrătoare
<b>Россия</b>	8 495 6662929	Действующие телефонные тарифы	с 8 до 20 по рабочим дням Время московское
<b>Schweiz</b>	031 5500 324	Tarif für Anrufe im Bundesgebiet	8 bis 20 Werktage
<b>Suisse</b>		Tarif des appels nationaux	8 à 20. En semaine
<b>Svizzera</b>		Tariffa applicata alle chiamate nazionali	dalle 8 alle 20 nei giorni feriali
<b>Slovenija</b>	+38618108621	lokálni strošek je običajna tržna vrednost, odvisna od ponudnika telefonije	8.00 - 16.00 ob delavnikih
<b>Slovensko</b>	(02) 3300 2554	Cena vnútroštátneho hovoru	8 až 20 v pracovných dňoch
<b>Suomi</b>	030 6005203	pvm/mpm	Ma - To 8:00 -18:00 Pe 9:00 -16:00
<b>Sverige</b>	0775 700 500	lokalsamtal (lokal taxa)	mån-fre 8.30 - 20.00 lör-sön 9.30 - 18.00
<b>United Kingdom</b>	020 3347 0044	National call rate	9 till 21. Weekdays
<b>Србија</b>	+381 11 7 555 444 (ако позивате изван Србије) 011 7 555 444 (ако позивате из Србије)	Цена позива у националном саобраћају	Понедељак – субота: 09 – 20 Недеља: 09 – 18
<b>Eesti, Latvija, Ukraina</b>		www.ikea.com	









222380468-B-432024

