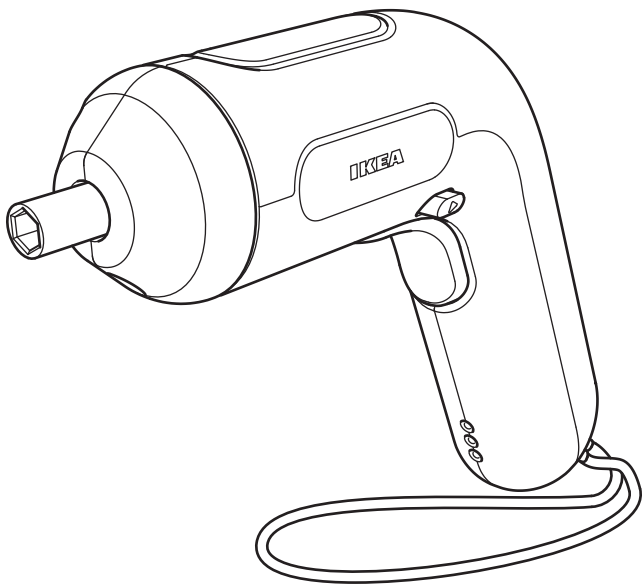
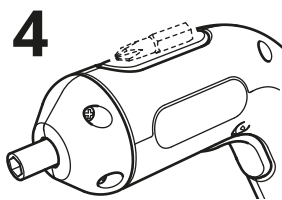
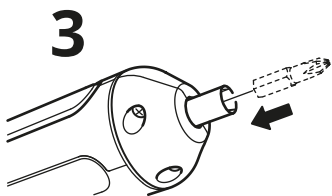
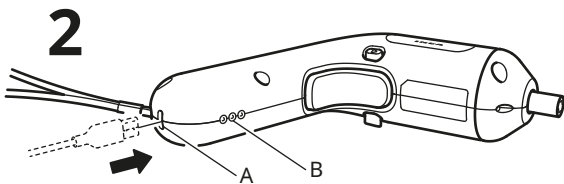
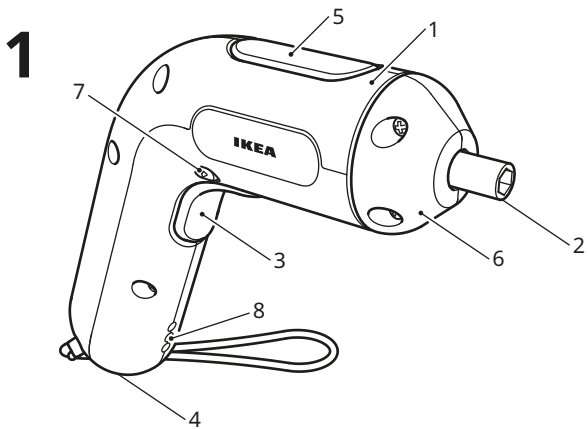


TRIXIG



Design and Quality
IKEA of Sweden



English	Original instructions	4
Français	Instructions originales	12
Nederlands	Oorspronkelijke instructies	21
Dansk	Originale anvisninger	30
Íslenska	Upprunalegar leiðbeiningar	39
Norsk	Opprinnelige instruksjoner	47
Suomi	Alkuperäiset ohjeet	55
Svenska	Ursprungliga instruktioner	63
Deutsch	Ursprüngliche Anleitung	71
Italiano	Istruzioni originali	80

English

TRIXIG Cordless screwdriver 3.6V

TECHNICAL SPECIFICATIONS

Model: TRIXIG

Type: P2201

Voltage: 3.6 Vdc

Battery type: 1.5 Ah/5.4Wh Lithium-Ion

Charging time: <300 Min

Max. hard torque: approx. 5 Nm

Max no load speed: 200/min

Bit holder: 6.35 mm (1/4")

Vibration (according to EN 62841-1, EN 62841-2-2):

Screwdriving without impact: $a_h=0.34 \text{ m/s}^2$, $K=1.5 \text{ m/s}^2$.

Noise (according to EN 62841-1):

Noise pressure level $L_{pA} = 62 \text{ dB (A)}$, $K_{pA} = 5 \text{ dB (A)}$

Noise power level $L_{wA} = 70 \text{ dB (A)}$, $K_{wA} = 5 \text{ dB (A)}$

INDOOR USE ONLY.

Recommended charging ratings:

5.0Vdc. / 1.0-3.0A (type C), charging temperature 0-50°C

Product features

The numbering of the product features shown refers to the illustration no. 1 on the graphic page.

1. Screwdriver main body
2. Screwdriver bit holder
3. ON/OFF switch
4. USB-C charging socket
5. Magnetic bit holder
6. LED work light
7. Rotation direction switch
8. LED power status indicator

NOTE!

USB-C cable and USB charger are not included.

AREAS OF USE

The electric screwdriver is suitable for the insertion and removal of screws.

The tool is to be used only for its prescribed purpose. Any other use is deemed to be a case of misuse.

GENERAL SAFETY INSTRUCTIONS

General safety instructions for power tools



WARNING! Read all safety warnings, instructions, illustrations and specifications provided with this power tool. Failure to follow all instructions listed below may result in electric shock, fire and/or serious injury.

Save all warnings and instructions for future reference

The term "power tool" in the warnings refers to your mains-operated (corded) power tool or battery-operated (cordless) power tool.

Work area safety

- Keep work area clean and well lit.** Cluttered and dark areas invite accidents.
- Do not operate power tools in explosive atmospheres, such as in the presence of flammable liquids, gasses or dust.** Power tools create sparks which may ignite the dust of fumes.
- Keep children and bystanders away while operating a power tool.** Distractions can cause you to lose control.

Electrical safety

- Power tool plugs must match the outlet. Never modify the plug in any way. Do not use any adapter plugs with earthed (grounded) power tools.** Unmodified plugs and matching outlets will reduce risk of electric shock.
- Avoid body contact with earthed or grounded surfaces such as pipes, radiators, ranges and refrigerators.** There is an increased risk of electric shock if your body is earthed or grounded.
- Do not expose power tools to rain or wet conditions.** Water entering a power tool will increase the risk of electric shock.
- Do not abuse the cord. Never use the cord for carrying, pulling or unplugging the power tool. Keep the cord away from heat, oil, sharp edges or moving parts.** Damaged or entangled cords increase the risk of electric shock.
- When operating a power tool outdoors, use an extension cord suitable for outdoor use.** Use of a cord suitable for outdoor use reduces the risk of electric shock.
- If operating a power tool in a damp location is unavoidable, use a residual current device (RCD) protected supply.** Use of an RCD reduces the risk of electric shock.

Personal safety

- Stay alert, watch what you are doing and use common sense when operating a power tool. Do not use a power tool while you are tired or under the influence of drugs, alcohol or medication.** A moment of inattention while operating power tools may result in serious personal injury.
- Use personal protective equipment. Always wear eye protection.** Protective equipment such as dust mask, non-skid safety shoes, hard hat, or hearing protection used for appropriate conditions will reduce personal injuries.

- c. **Prevent unintentional starting: Ensure that the switch is in the off-position before connecting to power source and/or battery pack, picking up or carrying the tool.** Carrying power tools with your finger on the switch or plugging in power tools that have the switch on invites accidents.
- d. **Remove any adjusting key or wrench before turning the power tool on.** A wrench or a key left attached to a rotating part of the power tool may result in personal injury.
- e. **Do not overreach. Keep proper footing and balance at all times.** This enables better control of the power tool in unexpected situations.
- f. **Dress properly. Do not wear loose clothing or jewellery. Keep your hair, clothing and gloves away from moving parts.** Loose clothes, jewellery or long hair can be caught in moving parts.
- g. **If devices are provided for the connection of dust extraction and collection facilities, ensure these are connected and properly used.** Use of these devices can reduce dust related hazards.
- h. **Do not let familiarity gained from frequent use of tools allow you to become complacent and ignore tool safety principles.** A careless action can cause severe injury within a fraction of a second.

Power tool use and care

- a. **Do not force the power tool. Use the correct power tool for your application.**
The correct power tool will do the job better and safer at the rate for which it was designed.
- b. **Do not use the power tool if the switch does not turn it on and off.** Any power tool that cannot be controlled with the switch is dangerous and must be repaired.
- c. **Disconnect the plug from the power source and/or the battery pack before making any adjustments, changing accessories, or storing power tools.** Such preventive safety measures reduce the risk of starting the power tool accidentally.
- d. **Store idle power tools out of the reach of children and do not allow persons unfamiliar with the power tool or these instructions to operate the power tool.**
Power tools are dangerous in the hands of untrained users.
- e. **Maintain power tools. Check for misalignment or binding of moving parts, breakage of parts and any other condition that may affect the power tool's operation. If damaged, have the power tool repaired before use.** Many accidents are caused by poorly maintained power tools.
- f. **Keep cutting tools sharp and clean.** Properly maintained cutting tools with sharp cutting edges are less likely to bind and are easier to control.
- g. **Use the power tool, accessories and tool bits etc., in accordance with these instructions and in the manner intended for the particular type of power tool, taking into account the working conditions and the work to be performed.**
Use of the power tool for operations different from those intended could result in a hazardous situation.
- h. **Keep handles and grasping surfaces dry, clean and free from oil and grease.**
Slippery handles and grasping surfaces do not allow for safe handling and control of the tool in unexpected situations.

Battery tool use and care

- a. **Recharge only with the charger specified by the manufacturer.** A charger that is suitable for one type of battery pack may create a risk of fire when used with another battery pack.

- b. **Use power tools only with specifically designated battery packs.** Use of any other battery packs may create a risk of injury and fire.
- c. **When battery pack is not in use, keep it away from other metal objects, like paperclips, coins, keys, nails, screws or other small metal objects that can make a connection from one terminal to another.** Shorting the battery terminals together may cause burns or a fire.
- d. **Under abusive conditions, liquid may be ejected from the battery; avoid contact. If contact accidentally occurs, flush with water. If liquid contacts eyes, additionally seek medical help.** Liquid ejected from the battery may cause irritation or burns.
- e. **Do not use a battery pack or tool that is damaged or modified.** Damaged or modified batteries may exhibit unpredictable behaviour, resulting in fire, explosion or risk of injury.
- f. **Do not expose a battery pack or tool to fire or excessive temperatures.** Exposure to fire or a temperature above 130 °C may cause an explosion.
- g. **Follow all charging instructions and do not charge the battery pack or tool outside the temperature range specified in the instructions.** Charging improperly or at temperatures outside the specified range may damage the battery and increase the risk of fire.

Service

- a. **Have your power tool serviced by a qualified repair person using only identical replacements parts.**
This will ensure that the safety of the power tool is maintained.
- b. **Never service damaged battery packs.** Service of battery packs should only be performed by the manufacturer or authorised service providers.

MACHINE-SPECIFIC SAFETY INSTRUCTION

Safety warnings for drills and screwdrivers

Hold the power tool by the insulated gripping surfaces when performing an operation where the fastener may contact hidden wiring. Fasteners contacting a "live" wire may make exposed metal parts of the power tool conductive and could give the operator an electric shock

Use appropriate detectors to determine if utility lines are hidden in the work area or call your local utility company for assistance. Contact with electric lines can lead to fire and electric shock. Damaging a gas line can lead to explosion. Penetrating a water line causes property damage or may cause an electric shock.

Switch off the power tool immediately when the tool becomes blocked or stuck. Be prepared for high reaction torque that can cause kickback. The tool becomes blocked when:

- the power tool is subjected to overload
- or it becomes wedged in the workpiece.

Hold the machine with a firm grip. High reaction torque can briefly occur while driving in and loosening screws.

Secure the workpiece. A workpiece clamped with clamping devices or in a vice is held more secure than by hand.

Keep your workplace clean. Blends of materials are particularly dangerous. Dust from light alloys can burn or explode.

Always wait until the machine has come to a complete stop before placing it down. The tool insert can jam and lead to loss of control over the power tool.

Avoid unintentional switching on. Ensure the trigger is in the off position before inserting battery pack. Carrying the power tool with your finger on the trigger or inserting the battery pack into power tools that have the switch on invites accidents.

Safety Warnings for battery chargers



For indoor use only.

Keep the battery charger away from rain or moisture. Penetration of water in the battery charger increases the risk of an electric shock.

Do not charge other batteries. The battery charger is suitable only for charging the batteries that were supplied with your power tool. Otherwise there is danger of fire and explosion.

Keep the battery charger clean. Contamination can lead to danger of an electric shock.

Before each use, check the battery charger, cable and plug. If damage is detected, do not use the battery charger. Never open the battery charger yourself. Have repairs performed only by a qualified technician. Damaged battery chargers, cables and plugs increase the risk of an electric shock.

Do not operate the battery charger on easily inflammable surfaces (e. g., paper, textiles, etc.) or surroundings. The heating of the battery charger during the charging process can pose a fire hazard.

Children should be supervised to ensure that they do not play with the battery charger.

VIBRATION AND NOISE INFORMATION

Vibration and noise level

The vibration and noise emission level stated in this instruction manual has been measured in accordance with a standardised test in EN 62841. It may be used to compare

one tool with another and as a preliminary assessment of exposure to vibration and noise when using the tool for the applications mentioned in this manual. However, using the tool for different applications, or with different or poorly maintained accessories, may significantly increase the exposure level.

An estimation of the level of exposure to vibration and noise should also take into account the times when the tool is switched off or when it is running but not being used, as this may significantly reduce the exposure level over the total working period. Protect yourself against the effects of vibration and noise by maintaining the tool and its accessories, keeping your hands warm and organising your work.

Other risks

Even when the power tool is used as prescribed, it is not possible to eliminate all other risk factors. The following hazards may arise in connection with the power tool's construction and design:



Damage to lungs if an effective dust mask is not worn.



Damage to hearing if effective hearing protection is not worn.



Damages to health resulting from vibrations if the power tool is being used over longer period of time or not properly handled and maintained.



WARNING! This power tool produces an electromagnetic field during operation. Under some circumstances, this field may interfere with active or passive medical implants. To reduce the risk of serious or fatal injury, we recommend persons with medical implants to consult their physician and the medical implant manufacturer before operating this machine.

ASSEMBLY

Before any work on the machine (e.g. maintenance, tool change, etc.) as well as during transport and storage, set rotational direction switch to the centre position. Unintentional actuation of the trigger can lead to injuries.

Charging the screwdriver

First read the safety instructions and then follow the charging instructions. Connect the USB-C cable end to the USB-C port (Pic. 2) (A) in the screwdriver. Then connect the other USB cable end to a USB-charger or USB-outlet that can provide sufficient power to charge the screwdriver. Make sure that there are no knots or sharp bends in the cable.

When the screwdriver is connected to the electricity supply with a USB-C cable, three diodes on the screwdriver (Pic. 2) (B) light up to indicate the charging status:

- Pulsating light - charging in progress
- Steady light - charging completed

After the screwdriver's battery is fully charged and the screwdriver remains connected to power supply, the diodes will stay lit. Under normal conditions of use the screwdriver can be recharged several hundred times.

ATTENTION! The recharging process generates heat in the battery. It is not advisable to recharge the battery in temperatures below freezing. The battery will gradually lose its charge over a period of time, even if the tool is not used.

NOTE!

The battery that is supplied with the screwdriver has been charged for test purposes only and must be fully recharged before first time use.

The lithium-ion battery is protected against deep discharging by the "Electronic Cell Protection (ECP)". When the battery is empty, the machine is switched off by means of a protective circuit: The inserted tool no longer rotates.



WARNING Do not continue to press the On/Off switch after the machine has been automatically switched off. The battery can be damaged.



WARNING! Recharge the battery on a non-flammable surface. Do not recharge the battery for more than eight hours.

INSTRUCTIONS FOR USE

Operation

This basic cordless screwdriver will accept various types and length of screwdriver bits that have a hexagonal shank that is 6.35mm (1/4") across the flats.

Inserting the screwdriver bits (Pic.3)

Select the correct screwdriver bit for the screws being used. Insert the screwdriver bit into the screwdriver drive, ensuring that it is pushed firmly home.

Note: It is advisable to always drill a pilot hole when driving screws with this product.

Switching ON and OFF

For screwdriving, squeeze the ON/OFF switch (3). Releasing the ON/OFF switch will stop the screwdriver. For screw removal and changing the rotation direction, push the rotation direction switch (7).

Spindle Auto-Lock

The tool's spindle is automatically locked when the tool is switched off. This enables to use the screwdriver as a manual tool.

Magnetic bit holder

You can place the bits you are currently using on the magnetic bit holder (5) on top of the screwdriver to keep them close at hand while you are working.

LED work light

The screwdriver has a built-in LED work light to illuminate the work area. The LED work light lights up every time the trigger switch is squeezed and then turns off when the trigger switch is released.

Maintenance and cleaning

Keep the screwdriver clean and dry at all times to ensure proper and safe operation. Wipe off any debris using a soft cloth moistened with water. Do not use any cleaning agents or solvents.

For safe and proper working, always keep the machine and ventilation slots clean.

This product is intended for domestic use in the home, not for commercial or qualified measurements carried out by professionals.

Keep this manual for future use.

Manufacturer: IKEA of Sweden AB

Address: Box 702, SE-343 81 Älmhult, SWEDEN



Batteries and rechargeable batteries are not household waste! As a consumer, you are required by law to dispose of all batteries and accumulators, whether they contain harmful substances* or not, at a collection point in your municipality/neighbourhood or via a commercial entity offering battery disposal so that they can be disposed of in an environmentally sound manner.

* marked with: Cd = cadmium, Hg = mercury, Pb = lead



The crossed-out wheeled bin symbol indicates that the item should be disposed of separately from household waste. The item should be handed in for recycling in accordance with local environmental regulations for waste disposal. By separating a marked item from household waste, you will help reduce the volume of waste sent to incinerators or land-fill and minimize any potential negative impact on human health and the environment. For more information, please contact your IKEA store.

Français

TRIXIG visseuse sans fil 3.6V

CARACTÉRISTIQUES TECHNIQUES

Modèle: TRIXIG

Type: P2201

Tension: 3.6 V c.c

Type de batterie: 1.5 Ah/ 5.4 Wh Lithium-Ion

Temps de charge: <300 minutes

Couple max.: environ 5 Nm

Vitesse max. de rotation à vide: 200/min

Diamètre du porte-embout: 6.35 mm (1/4")

Vibration (conformément à EN 62841-1, EN 62841-2-2) :

Vissage sans impact : $a_h=0.34 \text{ m/s}^2$, $K=1.5 \text{ m/s}^2$.

Niveau sonore (conformément à EN 62841-1) :

Niveau de pression acoustique $L_{pA} = 62 \text{ dB (A)}$, $K_{pA} = 5 \text{ dB (A)}$

Niveau de puissance acoustique $L_{wA} = 70 \text{ dB (A)}$, $K_{wA} = 5 \text{ dB (A)}$

UTILISATION À L'INTÉRIEUR UNIQUEMENT.

Charge nominale recommandée:

5.0 V CC / 1.0-3.0 A (type C), température de charge 0-50 °C

Caractéristiques du produit

Les repères indiqués pour les caractéristiques du produit renvoient à la figure 1 sur la page de présentation de l'outil.

1. Corps de la visseuse
2. Porte-embout de la visseuse
3. Interrupteur marche/arrêt
4. Fiche du chargeur USB-C
5. Porte-embout magnétique
6. Éclairage de travail LED
7. Commutateur de sens de rotation
8. Voyant lumineux LED

DOMAINES D'UTILISATION

Cette visseuse électrique est conçue pour le vissage et le dévissage de vis.

Cet outil ne doit être utilisé que pour l'usage pour lequel il a été conçu. Toute autre utilisation est considérée comme une mauvaise utilisation.

INSTRUCTIONS GÉNÉRALES DE SÉCURITÉ

Instructions de sécurité générales



ATTENTION! Lisez attentivement toutes les consignes de sécurité, les instructions, les schémas et les caractéristiques fournis avec cet outil électrique. Le non-respect de l'ensemble des instructions détaillées ci-dessous peut provoquer un choc électrique, un incendie et/ou des blessures graves.

Conservez précieusement toutes les mises en garde et les instructions pour pouvoir vous y référer ultérieurement.

Le terme « outil électrique », utilisé dans tous les avertissements ci-dessous, désigne tout outil fonctionnant sur secteur (avec fil) ou sur batteries (sans fil).

Sécurité de la zone de travail

- a. **Conserver la zone de travail propre et bien éclairée.** Les zones en désordre et sombres sont propices aux accidents.
- b. **Ne pas faire fonctionner les outils électriques en atmosphère explosive, par exemple en présence de liquides inflammables, de gaz ou de poussières.** Les outils électriques produisent des étincelles qui peuvent enflammer les poussières ou les fumées.
- c. **Maintenir les enfants et les personnes présentes à l'écart pendant l'utilisation de l'outil.** Les distractions peuvent vous faire perdre le contrôle de l'outil.

Sécurité électrique

- a. **Il faut que les fiches de l'outil électrique soient adaptées au socle. Ne jamais modifier la fiche de quelque façon que ce soit. Ne pas utiliser d'adaptateurs avec des outils à branchement de terre.** Des fiches non modifiées et des socles adaptés réduiront le risque de choc électrique.
- b. **Éviter tout contact du corps avec des surfaces reliées à la terre telles que les tuyaux, les radiateurs, les cuisinières et les réfrigérateurs.** Il existe un risque accru de choc électrique si votre corps est relié à la terre.
- c. **Ne pas exposer les outils à la pluie ou à des conditions humides.** La pénétration d'eau à l'intérieur d'un outil augmentera le risque de choc électrique.
- d. **Ne pas faire un mauvais usage du cordon. Ne jamais utiliser le cordon pour porter, tirer ou débrancher l'outil. Maintenir le cordon à l'écart de la chaleur, du lubrifiant, des arêtes ou des parties en mouvement.** Les cordons endommagés ou emmêlés augmentent le risque de choc électrique.
- e. **Lorsque vous utilisez un outil à l'extérieur, servez-vous d'une rallonge adaptée à l'utilisation extérieure.** L'utilisation d'un câble adapté à l'utilisation extérieure réduit le risque de choc électrique.
- f. **Si l'usage d'un outil dans un emplacement humide est inévitable, utiliser une alimentation protégée par un dispositif à courant différentiel résiduel (RCD).** L'usage d'un RCD réduit le risque de choc électrique.

Sécurité des personnes

- a. **Restez vigilant, regardez ce que vous êtes en train de faire et faites preuve de bon sens dans votre utilisation de l'outil. Ne pas utiliser un outil lorsque vous êtes fatigué ou sous l'emprise de drogues, d'alcool ou de médicaments.** Un moment d'inattention en cours d'utilisation d'un outil peut entraîner des blessures graves des personnes.
- b. **Utiliser un équipement de sécurité.** Toujours porter une protection pour les yeux. Les équipements de sécurité tels que les masques contre les poussières, les chaussures de sécurité antidérapantes, les casques ou les protections acoustiques utilisés pour les conditions appropriées réduiront les blessures de personnes.
- c. **Éviter tout démarrage intempestif. S'assurer que l'interrupteur est en position arrêté avant de brancher l'outil au secteur et/ou au bloc de batteries, de le ramasser ou de le porter.** Porter les outils en ayant le doigt sur l'interrupteur ou brancher des outils dont l'interrupteur est en position marche est source d'accidents.
- d. **Retirer toute clé de réglage avant de mettre l'outil en marche.** Une clé laissée fixée sur une partie tournante de l'outil peut occasionner des blessures de personnes.
- e. **Ne pas se précipiter. Garder une position et un équilibre adaptés à tout moment.** Cela permet un meilleur contrôle de l'outil dans des situations inattendues.
- f. **S'habiller de manière adaptée. Ne pas porter de vêtements amples ou de bijoux. Garder les cheveux, les vêtements et les gants à distance des parties en mouvement.** Des vêtements amples, des bijoux ou les cheveux longs peuvent être pris dans des parties en mouvement.
- g. **Si des dispositifs sont fournis pour le raccordement d'équipements pour l'extraction et la récupération des poussières, s'assurer qu'ils sont connectés et correctement utilisés.** Utiliser des collecteurs de poussière peut réduire les risques dus aux poussières.
- h. **Même si vous avez l'habitude d'utiliser des outils de ce type, soyez toujours vigilant et respectez les règles de sécurité.** Une mauvaise utilisation ou un moment d'inattention peuvent entraîner de graves blessures en une fraction de seconde.

Utilisation et entretien de l'outil

- a. **Ne forcez pas l'outil. Utilisez l'outil adapté à votre application.** L'outil adapté réalisera mieux le travail et de manière plus sûre au régime pour lequel il a été construit.
- b. **Ne pas utiliser l'outil si l'interrupteur ne permet pas de passer de l'état de marche à arrêté et vice versa.** Tout outil qui ne peut pas être commandé par l'interrupteur est dangereux et doit être réparé.
- c. **Débranchez la fiche de la source d'alimentation en courant et/ou le bloc de batteries de l'outil avant tout réglage, changement d'accessoires ou avant de ranger l'outil.** Ces mesures préventives réduisent le risque de démarrage accidentel de l'outil.
- d. **Conservez les outils à l'arrêt hors de la portée des enfants et ne pas permettre à des personnes ne connaissant pas l'outil ou les présentes instructions de le faire fonctionner.** Les outils sont dangereux entre les mains d'utilisateurs novices.
- e. **Entretenez les outils électriques. Vérifiez qu'il n'y a pas de mauvais alignement ou de blocage des parties mobiles, des pièces cassées ou toute autre condition pouvant affecter le fonctionnement de l'outil.** En cas de dommages, faites réparer l'outil avant de l'utiliser. De nombreux accidents sont dus à des outils mal entretenus.

- f. **Gardez affûtés et propres les outils permettant de couper.** Des outils correctement entretenus, avec des pièces coupantes tranchantes, sont moins susceptibles de bloquer et sont plus faciles à contrôler.
- g. **Utilisez l'outil, les accessoires et les lames etc., conformément à ces instructions, en tenant compte des conditions de travail et du travail à réaliser.** L'utilisation de l'outil pour des opérations différentes de celles prévues pourrait donner lieu à des situations dangereuses.
- h. **Gardez les poignées et les surfaces de préhension bien sèches, propres et sans traces d'huile ou de gras.** Des poignées ou des surfaces de préhension glissantes n'assurent pas une prise en main sûre et un bon contrôle de l'outil en cas de situation imprévue.

Utilisation et entretien d'un outil à piles

- a. **Rechargez uniquement avec le chargeur indiqué par le fabricant.** Un chargeur qui est adapté à un type de bloc de batteries peut créer un risque de feu lorsqu'il est utilisé avec un autre type de bloc de batteries.
- b. **N'utilisez les outils qu'avec des blocs de batteries spécifiquement désignés.** L'utilisation de tout autre bloc de batteries peut créer un risque de blessure et de feu.
- c. **Lorsqu'un bloc de batteries n'est pas utilisé, le maintenir à l'écart de tout autre objet métallique, par exemple trombones, pièces de monnaie, clés, clous, vis ou autres objets de petite taille qui peuvent donner lieu à une connexion d'une borne à une autre.** Le court-circuitage des bornes d'une batterie entre elles peut causer des brûlures ou un feu.
- d. **Dans de mauvaises conditions, du liquide peut être éjecté de la batterie; éviter tout contact. En cas de contact accidentel, nettoyez à l'eau. Si le liquide entre en contact avec les yeux, adressez-vous à un médecin.** Le liquide éjecté des batteries peut causer des irritations ou des brûlures.
- e. **N'utilisez jamais une batterie ou un outil qui a été endommagé ou modifié.** Les batteries endommagées ou modifiées peuvent avoir un comportement imprévisible et occasionner un incendie, une explosion ou un risque de blessure.
- f. **N'exposez jamais une batterie ou un outil au feu ou à des températures excessives.** Une exposition au feu ou à une température supérieure à 130 °C peut provoquer une explosion.
- g. **Suivez toutes les instructions de mise en charge et ne rechargez pas la batterie ou l'outil en dehors de la plage de température spécifiée dans les instructions.** Une charge incorrecte ou effectuée à une température inférieure ou supérieure à la plage spécifiée peut endommager la batterie et augmenter le risque d'incendie.

Maintenance

- a. **Faire entretenir l'outil par un réparateur qualifié utilisant uniquement des pièces de rechange identiques.**
Cela assurera que la sécurité de l'outil est préservée.
- b. **Ne tentez jamais de réparer une batterie endommagée.** Seul le fabricant ou un technicien agréé est autorisé à effectuer les opérations de réparations nécessaires sur une batterie.

INSTRUCTIONS DE SÉCURITÉ SPÉCIFIQUES À L'OUTIL

Instructions de sécurité perceuses/visseuses

Lorsque l'outil est utilisé pour un travail risquant de mettre le mandrin ou en contact avec des fils électriques cachés, le tenir par les surfaces de prise isolées.

Tout contact entre le mandrin et un fil sous tension peut rendre conducteurs les éléments métalliques découverts de l'outil électrique et exposer l'opérateur à un choc électrique.

Utilisez des détecteurs appropriés pour déceler des conduites cachées ou consultez votre entreprise d'approvisionnement locale. Un contact avec des conduites d'électricité peut provoquer un feu ou un choc électrique. L'endommagement d'une conduite de gaz peut causer une explosion. La perforation d'une conduite d'eau génère des dégâts matériels.

Mettez immédiatement l'outil électrique hors tension s'il lui arrive de se bloquer ou d'être coincé. Un couple de réaction élevé peut alors se produire et provoquer un retour. L'outil peut se bloquer dans les circonstances suivantes :

- l'outil électrique est soumis à une surcharge
- il se coince dans la pièce ou la surface sur laquelle il travaille.

Tenez fermement l'outil électrique. Lors du vissage ou du dévissage, il peut y avoir des couples de réaction instantanés élevés.

Bloquez la pièce à travailler. Une pièce à travailler serrée par des dispositifs de serrage ou dans un étau est fixée de manière plus sûre que tenue dans les mains.

Veillez à la propreté de la place de travail. Les mélanges de matériaux sont particulièrement dangereux. Les poussières de métaux légers peuvent être explosives ou inflammables.

Avant de déposer l'outil électrique, attendez que celui-ci soit complètement à l'arrêt. L'outil risque de se coincer, ce qui entraîne une perte de contrôle de ce dernier.

Évitez une mise en marche par mégarde. Assurez-vous que l'interrupteur est effectivement en position d'arrêt avant d'insérer la batterie. Le fait de porter l'outil en laissant le doigt sur l'interrupteur ou de mettre en place la batterie dans l'outil lorsque celui-ci est en marche peut entraîner des accidents.

Instructions de sécurité pour chargeurs



Pour une utilisation à l'intérieur uniquement.

Tenez le chargeur de batterie à l'abri de la pluie ou de l'humidité. Si de l'eau pénètre dans le chargeur de batterie, cela augmente le risque de choc électrique.

Ne pas recharger d'autres batteries avec cet appareil. Ce chargeur est conçu uniquement pour recharger les batteries fournies avec votre outil électrique.

L'utilisation d'autres batteries peut créer un risque de feu et d'explosion.

Veillez à la propreté du chargeur de batterie. Une contamination peut entraîner un risque de choc électrique.

Avant chaque utilisation, vérifiez le chargeur de batterie, le câble et la prise. Si l'un de ces éléments n'est pas en bon état, ne pas utiliser le chargeur de batterie. Ne jamais ouvrir vous-même le chargeur de batterie. Faites-le réparer par un technicien qualifié. L'utilisation de chargeurs, de câbles ou de prises abîmés accroît le risque de choc électrique.

Ne pas faire fonctionner le chargeur de batterie dans des environnements ou sur des surfaces facilement inflammables (par ex. sur du papier, tissu, etc.). La chaleur produite par le chargeur de batterie durant le processus de rechargement peut créer un risque de feu.

Les enfants doivent être surveillés pour s'assurer qu'ils ne jouent pas avec le chargeur de batterie.

INFORMATIONS RELATIVES AUX VIBRATIONS ET AU BRUIT

Niveau de vibration et de bruit

Le niveau d'émission de bruit et de vibrations indiqué dans le présent manuel d'instructions a été mesuré conformément à un test normalisé de la norme EN 62841. Il peut être utilisé pour comparer deux outils et pour évaluer de façon préalable le niveau d'exposition aux vibrations et au bruit lors de l'utilisation de l'outil dans le cadre des applications décrites dans le présent manuel. Toutefois, l'utilisation de l'outil pour d'autres applications, ou avec d'autres accessoires ou des accessoires mal entretenus, peut considérablement augmenter le niveau d'exposition.

L'estimation du niveau d'exposition aux vibrations et au bruit doit également tenir compte des moments où l'outil est mis hors tension ou lorsqu'il fonctionne mais n'est pas utilisé, car cela peut réduire considérablement le niveau d'exposition sur l'ensemble de la période de travail. Protégez-vous contre les effets des vibrations et du bruit en entretenant l'outil et ses accessoires, en gardant vos mains au chaud et en organisant votre travail.

Autres risques

Même lorsque l'outil électrique est utilisé conformément aux instructions, il n'est pas possible d'éliminer tous les autres facteurs de risque. Les dangers suivants liés à la conception et à la construction de l'outil électrique peuvent survenir :



Les poumons peuvent être endommagés si l'utilisateur ne porte pas de masque antipoussière.



Louïe peut être endommagée si l'utilisateur ne porte pas de protection auditive efficace.



Les vibrations peuvent nuire à la santé si l'outil électrique est utilisé pendant une longue période ou s'il n'est pas manipulé et entretenu correctement.



ATTENTION! Cet outil électrique génère un champ électromagnétique pendant son fonctionnement. Dans certaines circonstances, ce champ peut interférer avec les implants médicaux actifs ou passifs. Pour réduire le risque de blessure grave ou mortelle, nous recommandons aux personnes porteuses d'implants médicaux de consulter leur médecin et le fabricant de l'implant médical avant d'utiliser cet outil.

MONTAGE

Avant de manier l'appareil (par ex. entretien, changement d'outil, etc.) et avant de le transporter ou de le ranger, toujours mettre le commutateur de sens de rotation en position médiane. Il y a un risque de blessure lorsqu'on appuie par mégarde sur l'interrupteur.

Charge de la perceuse

Commencez par lire les consignes de sécurité, puis suivez les instructions de mise en charge.

Branchez l'extrémité du câble USB-C sur le port USB-C (Fig. 2) (A) de la visseuse. Puis branchez l'autre extrémité du câble USB sur un chargeur USB ou une prise USB pouvant fournir une puissance suffisante pour charger la visseuse. Veillez à ne pas plier ou courber le câble.

Lorsque la visseuse est raccordée à l'alimentation électrique à l'aide d'un câble USB-C, trois diodes s'allument sur la visseuse (Fig. 2) (B) pour indiquer l'état de charge:

- Lumière clignotante - charge en cours
- Lumière fixe - charge terminée

Lorsque la batterie de la visseuse est totalement chargée et que la visseuse reste branchée sur l'alimentation, les diodes restent allumées. Dans des conditions d'utilisation normales, la visseuse peut être rechargée plusieurs centaines de fois.

ATTENTION! La batterie chauffe durant la charge. Il est déconseillé de recharger la batterie lorsque les températures sont inférieures à 0°C. La batterie se décharge progressivement sur une certaine durée, même lorsque l'outil n'est pas utilisé.

NB! La batterie fournie avec la visseuse a été chargée partiellement, pour des tests, et doit donc être entièrement rechargée avant sa première utilisation.

La batterie lithium-ion est protégée contre les décharges totales grâce à la technologie « Electronic Cell Protection (ECP) ». Lorsque la batterie est vide, l'outil est éteint par le biais d'un circuit de protection : la rotation de l'embout est alors impossible.



ATTENTION: Ne pas continuer à appuyer sur l'interrupteur de marche/arrêt après que l'outil s'est automatiquement éteint. La batterie risque d'être endommagée.



ATTENTION! Recharger la batterie sur une surface ininflammable. Ne pas recharger la batterie durant plus de huit heures.

INSTRUCTIONS D'UTILISATION

Fonctionnement

Cette visseuse sans fil basique est adaptée à des embouts de différents types et de diverses longueurs ayant une tige hexagonale de 6,35 mm entre les surfaces planes.

Insérer les embouts (Fig.3)

Choisir l'embout adapté aux vis que vous allez utiliser. Insérer l'embout dans le porte-embout, en s'assurant qu'il est introduit bien fermement.

NB: il est conseillé de toujours percer un trou pilote avant de visser avec cet outil.

Mise en marche et arrêt

Pour visser, appuyez sur l'interrupteur marche/arrêt (3). Relâcher l'interrupteur marche/arrêt pour mettre la visseuse hors tension. Pour dévisser ou changer de sens de rotation, appuyez sur le commutateur de sens de rotation (7).

Arrêt automatique de la broche

La broche s'arrête automatiquement lorsqu'on éteint l'outil, ce qui permet de l'utiliser de façon manuelle.

Porte-embout magnétique

Placer les embouts dont vous avez besoin sur le dessus de la visseuse (5) pour les avoir à portée de main pendant que vous travaillez.

Éclairage LED

La visseuse est équipée d'une LED intégrée pour éclairer la zone de travail. Le voyant LED s'allume chaque fois qu'on appuie sur l'interrupteur et s'éteint quand on le relâche.

Entretien et nettoyage

Veiller à ce que la visseuse soit toujours propre et sèche pour garantir son bon fonctionnement en toute sécurité. Nettoyer les éventuelles saletés à l'aide d'un chiffon doux et humide. Ne pas utiliser de détergents ou de solvants.

Veiller à ce que l'outil et les fentes de ventilation soient toujours propres afin d'assurer le bon fonctionnement de la visseuse/perceuse en toute sécurité.

Ce produit est destiné à un usage domestique et non à un usage commercial ou à la prise de mesure par des professionnels qualifiés.

Conservez ce manuel pour pouvoir vous y référer ultérieurement.

Fabricant: IKEA of Sweden AB

Adresse: Box 702, SE-343 81 Älmhult, SUÈDE



Les batteries et les piles rechargeables ne constituent pas des déchets ménagers ! En tant que consommateur, il vous incombe d'éliminer toutes les piles et accumulateurs, qu'ils contiennent ou non des substances nocives*, dans un point de collecte de votre municipalité/quartier ou par l'intermédiaire d'une entité commerciale récupérant les piles et batteries pour pouvoir les éliminer sans danger pour l'environnement.

* signalées par les codes suivants : Cd = cadmium, Hg = mercure, Pb = plomb



Le pictogramme de la poubelle barrée indique que le produit doit faire l'objet d'un tri. Il doit être recyclé conformément à la réglementation environnementale locale en matière de déchets. En triant les produits portant ce pictogramme, vous contribuez à réduire le volume des déchets incinérés ou enfouis, et à diminuer tout impact négatif sur la santé humaine et l'environnement. Pour plus d'information, merci de contacter votre magasin IKEA.

Nederlands

TRIXIG draadloze schroevendraaier 3.6 V

TECHNISCHE SPECIFICATIES

Model: TRIXIG

Type: P2201

Voedingsspanning: 3.6 Vdc

Batterijtype: 1.5 Ah/ 5.4Wh Lithiumion

Oplaadtijd: <300 min

Max. hard draaimoment: circa 5 Nm

Maximumsnelheid (leeg): 200/min

Boorhouder: 6.35 mm (1/4")

Vibratie (volgens EN 62841-1, EN 62841-1):

Schroevendraaier zonder slag: $a_h=0.34 \text{ m/s}^2$, $K=1.5 \text{ m/s}^2$.

Geluidsniveau (volgens EN 62841-1):

Geluidsdrukniveau $L_{pA} = 62 \text{ dB (A)}$, $K_{pA} = 5 \text{ dB (A)}$

Geluidsvermogensniveau $L_{wA} = 70 \text{ dB (A)}$, $K_{wA} = 5 \text{ dB (A)}$

UITSLUITEND VOOR GEBRUIK BINNENSHUIS.

Aanbevolen oplaadwaarden:

5.0 V dc. / 1.0-3.0A (type C), laadtemperatuur 0-50°C

Productkenmerken

De onderstaande getallen verwijzen naar afbeelding nr. 1 op de grafische pagina.

1. Body schroevendraaier
2. Bithouder schroevendraaier
3. AAN/UIT-schakelaar
4. USB-C-oplaadaansluiting
5. Magnetische bithouder
6. LED werkverlichting
7. Draairichtingsschakelaar
8. Indicator led-oplaadstatus

LET OP!

USB-C-kabel en USB-oplader zijn niet inbegrepen.

GEBRUIKSTOEPASSINGEN

De elektrische schroevendraaier is bedoeld voor het indraaien en verwijderen van schroeven.

Het gereedschap mag alleen worden gebruikt voor het aangegeven doel. Elk ander gebruik wordt beschouwd als misbruik.

ALGEMENE VEILIGHEIDSVOORSCHRIFTEN

Algemene veiligheidsvoorschriften



Waarschuwing! Lees alle veiligheidswaarschuwingen, instructies, illustraties en specificaties die bij dit elektrisch gereedschap worden meegeleverd. Het niet opvolgen van de onderstaande instructies kan leiden tot een elektrische schok, brand en/of ernstig letsel.

Bewaar alle waarschuwingen en instructies voor toekomstig gebruik

De term "elektrisch gereedschap" in de waarschuwingen verwijst naar elektrische gereedschap dat via een snoer op het net is aangesloten of elektrisch gereedschap dat draadloos op accu's werkt.

Veiligheid in de werkomgeving

- Zorg voor een opgeruimde en goed verlichte werkomgeving.** Rommelige en donkere omgevingen leiden sneller tot ongelukken.
- Gebruik elektrisch gereedschap niet in een ontvlambare omgeving, zoals in de buurt van licht ontvlambare vloeistoffen, gassen of stof.** Elektrisch gereedschap geeft vonken af, waardoor stof of gas kan ontbranden.
- Houd kinderen en omstanders op afstand als je elektrisch gereedschap gebruikt.** Als je afgeleid raakt, kan je de controle over het gereedschap verliezen.

Elektrische veiligheid

- De stekker van elektrisch gereedschap moet geschikt zijn voor het te gebruiken stopcontact. Probeer nooit om stekkers te veranderen. Gebruik nooit adapterstekkers voor geaard elektrisch gereedschap.** Originele stekkers en stopcontacten verminderen de kans op een elektrische schok.
- Vermijd lichamelijke contact met geaarde oppervlakken, zoals leidingen, radiatoren, kookplaten en koelkasten.** De kans op een elektrische schok is groter wanneer je lichaam geaard is.
- Bescherm elektrisch gereedschap tegen regen en vocht.** Wanneer er water in elektrisch gereedschap komt, neemt de kans op een elektrische schok toe.
- Gebruik het netsnoer op correcte wijze. Gebruik het snoer nooit om het elektrische gereedschap aan op te tillen en trek nooit aan het snoer om de stekker uit het stopcontact te trekken. Houd het snoer verwijderd van hitte, olie, scherpe randen of bewegende onderdelen.** Beschadigde of verwarde netsnoeren vergroten de kans op een elektrische schok.
- Als je elektrisch gereedschap buiten gebruikt, moet het verlengsnoer geschikt zijn voor gebruik buiten.** Bij gebruik van een verlengsnoer voor buiten neemt de kans op een elektrische schok af.
- Als je het elektrische gereedschap in een vochtige omgeving gebruikt, gebruik dan een aardlekschakelaar/RCD.** Het gebruik van een RCD vermindert het risico van een elektrische schok.

Persoonlijke veiligheid

- a. **Blijf alert, kijk naar wat je doet en gebruik je gezonde verstand bij het werken met elektrisch gereedschap. Gebruik elektrisch gereedschap niet als je moe bent of onder invloed van alcohol, drugs of medicijnen.** Een moment van onoplettendheid kan zwaar lichamelijk letsel tot gevolg hebben.
- b. **Gebruik persoonlijke veiligheidsuitrusting.** Draag altijd een veiligheidsbril. Het dragen van een stofmasker, of schoenen met antislipzolen, een helm of oorbeschermers verminderen de kans op lichamelijk letsel.
- c. **Voorkom dat het apparaat onbedoeld ingeschakeld wordt. Controleer of het apparaat is uitgeschakeld voordat je de stekker in het stopcontact steekt en/of de accu aansluit/verwijdert.** Het dragen van elektrisch gereedschap terwijl je een vinger op de aan/uit schakelaar houdt of het inschakelen van gereedschap dat aan staat, kan tot ongelukken leiden.
- d. **Verwijder eventuele stelsleutels of ander gereedschap voordat je het apparaat inschakelt.** Een sleutel die nog vastzit aan een bewegend onderdeel van het apparaat kan persoonlijk letsel tot gevolg hebben.
- e. **Overstrek jezelf nooit. Zorg altijd voor een juiste balans en evenwicht.** Hierdoor hou je de controle over het apparaat, ook in onverwachte situaties.
- f. **Draag geschikte werkkleding. Draag geen loszittende kleding of sieraden. Hou haar, kleding en handschoenen altijd bij de bewegende delen vandaan.** Losse kleding, lang haar en sieraden kunnen vast komen te zitten in bewegende onderdelen.
- g. **Indien het apparaat wordt geleverd met hulpstukken voor bv. het opzuigen of opvangen van stof, zorg dan dat deze goed worden aangesloten en op de juiste manier worden gebruikt.** Het gebruik van dergelijke hulpmiddelen kan de kans op luchtwegirritatie verminderen.
- h. **Zorg ervoor dat bij frequent gebruik van gereedschappen er geen gewenning optreed.** Een onzorgvuldige actie kan binnen een fractie van een seconde ernstig letsel veroorzaken.

Elektrisch gereedschap - gebruik en onderhoud

- a. **Forceer elektrisch gereedschap nooit. Gebruik alleen een apparaat dat geschikt is voor het beoogde doel.** Een geschikt apparaat klaart de klus beter en veiliger.
- b. **Gebruik het gereedschap nooit wanneer de schakelaar kapot is.** Wanneer deze niet goed werkt, is het apparaat gevaarlijk en dient het gerepareerd te worden.
- c. **Haal de stekker uit het stopcontact of verwijder de accu voordat je aanpassingen doet, accessoires verwisselt of het gereedschap opbergt.** Dit verkleint de kans om het apparaat ongewild in te schakelen.
- d. **Berg elektrisch gereedschap op buiten bereik van kinderen en laat mensen die het apparaat niet kennen en de gebruiksaanwijzing niet hebben gelezen het apparaat niet gebruiken.** Elektrisch gereedschap is gevaarlijk in handen van onervaren gebruikers.
- e. **Pleeg regelmatig onderhoud. Controleer of de bewegende delen vrij kunnen bewegen, of onderdelen nog heel zijn en of ze juist zijn gemonteerd. Controleer ook of er niets is dat het goed functioneren van het apparaat zou kunnen belemmeren.** Laat een beschadigd netsnoer eerst repareren voor gebruik. Veel ongelukken gebeuren doordat elektrisch gereedschap niet goed is onderhouden.
- f. **Hou apparaten die moeten snijden en zagen altijd schoon en scherp.** Zagend en snijdend gereedschap met scherpe randen/snijvlakken loopt minder snel vast en is eenvoudiger onder controle te houden.

- g. **Gebruik het elektrische gereedschap, de accessoires, borende en snijdende onderdelen enz. zoals vermeld in deze instructies en op de beoogde wijze. Hou daarbij rekening met de werkomstandigheden en de te klaren klus.** Onjuist gebruik kan gevaarlijke situaties opleveren.
- h. **Houd handgrepen en grijppoppervlakken droog, schoon en vrij van olie en vet.** Gladde handgrepen en grijpplakken zorgen niet voor veilige hantering en controle van het gereedschap in onverwachte situaties.

Acculader - gebruik en onderhoud

- a. **Laad de accu alleen op met de lader die door de fabrikant is aangegeven.** Een lader die geschikt is voor een bepaald type accu kan brand veroorzaken bij gebruik in combinatie met een andere accu.
- b. **Gebruik het elektrische gereedschap uitsluitend met een speciale accu.** Gebruik van een andere accu kan letsel, schade en brand veroorzaken.
- c. **Wanneer de accu niet wordt gebruikt deze uit de buurt houden van andere metalen voorwerpen zoals paperclips, munten, sleutels, spijkers, schroeven en andere kleine metalen voorwerpen die contact kunnen maken tussen twee elektrische polen.** Kortsluiting van de accupolen kan brandwonden en brand veroorzaken.
- d. **Wanneer de accu foutief wordt gebruikt, kan er vloeistof uit lopen. Vermijd contact met de vloeistof. Bij onbedoeld contact spoelen met water.** Raadpleeg een arts wanneer er vloeistof in contact komt met de ogen. Vloeistof uit de accu kan huidirritatie of brandwonden veroorzaken.
- e. **Gebruik geen accu of gereedschap dat beschadigd of gewijzigd is.** Beschadigde of gewijzigde accu's kunnen onvoorspelbaar gedrag vertonen, wat kan leiden tot brand, explosie of risico op letsel.
- f. **Stel een accu of gereedschap niet bloot aan vuur of te hoge temperaturen.** Blootstelling aan open vuur of een temperatuur boven 130 °C kan een explosie veroorzaken.
- g. **Volg alle oplaadinstructies en blijf tijdens het opladen van de accu of het gereedschap binnen het opgegeven temperatuurbereik.** Onjuist opladen of bij temperaturen buiten het opgegeven bereik kan de accu beschadigen en het risico op brand vergroten.

Service

- a. **Laat het gereedschap uitsluitend repareren door een erkend vakman die originele onderdelen gebruikt.**
Dat garandeert dat het gereedschap storingsvrij functioneert.
- b. **Voor geen onderhoud uit aan beschadigde accu's.** Het onderhoud van accupakketten mag alleen worden uitgevoerd door de fabrikant of erkende dienstverleners.

MACHINESPECIFIEKE VEILIGHEIDSINSTRUCTIE

Veiligheidswaarschuwingen voor boormachines

Houd het elektrische gereedschap bij de geïsoleerde grijppoppervlakken vast tijdens een bewerking waarbij de bevestigingsmiddelen contact kunnen maken met verborgen elektrische bedrading. Bevestigingsmiddelen die in contact komen met een

onder spanning staande elektrische draad kunnen dit via blootgestelde metalen delen van het elektrische gereedschap verder geleiden en de gebruiker een elektrische schok bezorgen

Gebruik een geschikt detectieapparaat om verborgen stroom-, gas- of waterleidingen op te sporen in het werkgebied of neem contact op met het plaatselijke energie- of waterleidingsbedrijf voor hulp. Contact met elektrische leidingen kan brand of een elektrische schok veroorzaken. Het beschadigen van een gasleiding kan een explosie tot gevolg hebben. Het beschadigen van een waterleiding kan leiden tot materiële schade of een elektrische schok.

Schakel het elektrische gereedschap onmiddellijk uit wanneer het gereedschap wordt geblokkeerd of vastloopt. Wees bereid op een hoog reactiekoppel dat terugslag kan veroorzaken. Het gereedschap wordt geblokkeerd:

- bij overbelasting van het elektrisch gereedschap
- wanneer het beklemd raakt in het werkstuk.

Bij een juiste bediening hoort een stevige greep op de machine. Bij het vast- of losdraaien van schroeven kunnen namelijk gedurende korte tijd grote reactiemomenten optreden.

Zet het werkstuk vast. Een met spanvoorzieningen of een bankschroef vastgehouden werkstuk wordt beter vastgehouden dan je met de hand kan doen.

Houd je werkplek schoon. Materiaalmengsels zijn bijzonder gevaarlijk. Stof van lichte legeringen kan ontvlammen of exploderen.

Wacht tot het apparaat volledig tot stilstand is gekomen voordat je het neerlegt. Het inzetgereedschap kan vastlopen en dit kan ertoe leiden dat je controle verliest over het elektrische apparaat.

Voorkom per ongeluk inschakelen. Controleer of de aan/uit-schakelaar in de uitgeschakelde stand staat voordat je een accu inzet. Het dragen van het elektrische gereedschap met je vinger aan de aan/uit-schakelaar of het inzetten van de accu in het ingeschakelde elektrische gereedschap kan tot ongevallen leiden.

Veiligheidswaarschuwingen voor accuopladers



Uitsluitend voor gebruik binnenshuis.

Stel accuoplader niet bloot aan regen of vocht. Wanneer er water in de accuoplader komt, bestaat er een verhoogd risico op een elektrische schok.

De oplader is niet bedoeld om er andere accu's mee op te laden. De accuoplader is alleen geschikt voor het opladen van de accu die met het elektrische gereedschap is meegeleverd. Anders bestaat het gevaar op brand en ontploffing.

Houd de accuoplader schoon. Verontreiniging kan namelijk gevaar op een elektrische schok opleveren.

Controleer voor elk gebruik de accuoplader, het snoer en de stekker. Gebruik de accuoplader niet als je schade aantreft. Open de accuoplader niet zelf. Reparaties moeten worden uitgevoerd door een bevoegd vakman. Beschadigingen aan accuopladers, snoeren en stekkers vergroten het risico op elektrische schokken.

Gebruik de accuoplader niet op oppervlakken of in omgevingen die gemakkelijk kunnen ontbranden (bijv. papier, stoffen, enz.). Opwarming van de accuoplader tijdens het opladen kan namelijk brandgevaar opleveren.

De accuoplader is geen speelgoed. Om te voorkomen dat kinderen met het apparaat gaan spelen, is toezicht noodzakelijk.

TRILLINGS- EN GELUIDSINFORMATIE

Trillings- en geluidsniveau

Het trillings- en geluidsemissieniveau dat in deze handleiding staat aangegeven, is gemeten volgens een gestandaardiseerde test in EN 62841. Het kan worden gebruikt om het ene gereedschap met het andere te vergelijken en als een voorlopige beoordeling van de blootstelling aan trillingen en lawaai bij gebruik van het gereedschap voor de in deze handleiding genoemde toepassingen. Het gebruik van het gereedschap voor verschillende toepassingen, of met verschillende of slecht onderhouden accessoires, kan het blootstellingsniveau echter aanzienlijk verhogen.

Bij een schatting van de blootstelling aan trillingen en lawaai moet ook rekening worden gehouden met de tijdstippen waarop het gereedschap wordt uitgeschakeld of wanneer het draait maar niet wordt gebruikt, aangezien dit het blootstellingsniveau gedurende de totale werkperiode aanzienlijk kan verlagen. Bescherm uzelf tegen de effecten van trillingen en lawaai door het gereedschap en de bijbehorende accessoires te onderhouden, uw handen warm te houden en uw werk te organiseren.

Overige risico's

Zelfs wanneer het elektrische gereedschap wordt gebruikt zoals voorgeschreven, is het onmogelijk om alle risicofactoren te elimineren. De volgende gevaren kunnen zich voordoen in verband met de constructie en het ontwerp van het elektrisch gereedschap:



Schade aan de longen als er geen effectief stofmasker wordt gedragen.



Gehoorschade als er geen effectieve gehoorbescherming wordt gedragen.



Schade aan de gezondheid als gevolg van trillingen wanneer het elektrische gereedschap gedurende langere tijd wordt gebruikt of niet op de juiste manier wordt gehanteerd en onderhouden.



Waarschuwing! Dit elektrisch gereedschap produceert tijdens gebruik een elektromagnetisch veld. Onder bepaalde omstandigheden kan dit veld interfereren met actieve of passieve medische implantaten. Om het risico op ernstig of dodelijk letsel te verminderen, raden we personen met medische implantaten aan om hun arts en de fabrikant van medische implantaten te raadplegen voordat ze deze machine gaan gebruiken.

MONTAGE

Zet de draairichtingschakelaar in de centrale positie voordat je werk aan de machine verricht (bijv. onderhoud, wisselen van instrumenten, enz.), maar ook tijdens transport of opslag. Onopzettelijk inschakelen van de pal kan tot letsel leiden.

De schroevendraaier opladen

Lees eerst de veiligheidsinstructies en volg daarna de oplaadinstructies.

Sluit de USB-C-kabel aan op de USB-C-poort (afb. 2) (A) in de schroevendraaier. Sluit vervolgens het andere einde van de USB-kabel aan op een USB-oplader of USB-aansluiting die voldoende stroom kan leveren om de schroevendraaier op te laden. Zorg ervoor dat er geen knopen of scherpe bochten in de kabel zitten.

Wanneer de schroevendraaier met een USB-C-kabel op de voeding is aangesloten, branden er drie leds op de schroevendraaier (afb. 2) (B) die de laadstatus aangeven:

- Knipperend - opladen is bezig
- Constant - opladen voltooid

Wanneer de accu van de schroevendraaier volledig is opgeladen en de schroevendraaier blijft aangesloten op de voeding, blijven de diodes branden. Onder normale gebruiksomstandigheden kan de schroevendraaier enkele honderden keren worden opgeladen.

LET OP! Door het opladen wordt de accu warm. Laad de accu niet op bij temperaturen onder het vriespunt. De accu verliest geleidelijk aan zijn lading, ook als het gereedschap niet wordt gebruikt.

BELANGRIJK! De accu die bij de schroef-/boormachine wordt geleverd, is alleen opgeladen om te testen en moet voor het eerste gebruik volledig opnieuw worden opgeladen.

De lithium-ion accu wordt beschermd tegen diepe ontlading door 'Electronic Cell Protection' (ECP). Wanneer de accu leeg is, wordt het elektrische gereedschap uitgeschakeld door middel van een veiligheidskoppeling. Het geplaatste gereedschap draait dan niet meer.



WAARSCHUWING Blijf niet op de aan-/uitknop drukken nadat het apparaat automatisch is uitgeschakeld. De accu kan dan namelijk beschadigd raken.



WAARSCHUWING! Laad de accu op een niet-brandbare ondergrond op. Laad de accu niet langer dan acht uur achter elkaar op.

GEBRUIKERSINSTRUCTIES

Gebruik

Dit basismodel snoerloze schroevendraaier is geschikt voor opzetstukken van verschillende soorten en lengtes met een zeskantige schacht van 6,35 mm doorsnee.

Bevestigen van bits (Afb. 3)

Kies de juiste bits voor de schroeven die je wilt gebruiken. Steek de bit in de houder van de schroevendraaier en duw hem helemaal naar beneden. N.B. Boor altijd voor voordat je schroeven met de schroevendraaier indraait.

AAN- en UITZETTEN

Om te schroeven, knijp in de AAN/UIT-schakelaar (3). Als u de AAN/UIT-schakelaar loslaat, stopt de schroevendraaier. Met de draairichtingschakelaar (7) kunt u de draairichting wisselen en de schroef uitdraaien.

Automatische vergrendeling van de spindel

De spindel van het gereedschap wordt automatisch vergrendeld wanneer het gereedschap wordt uitgeschakeld. Daardoor kan je de schroevendraaier als handmatig gereedschap gebruiken.

Magnetische bithouder

Je kan de boorbitjes die je gebruikt op de magnetische bithouder (5) boven op de schroevendraaier plaatsen om ze bij de hand te houden terwijl je werkt.

Led-werklamp

De schroevendraaier heeft een ingebouwde led-werklamp om het werkgebied te verlichten. De led-werklamp gaat telkens wanneer je de stroomschakelaar indrukt branden en gaat weer uit zodra je de schakelaar loslaat.

Onderhoud en reinigen

Hou de schroevendraaier schoon en droog om een goede en veilige werking te garanderen. Neem de schroevendraaier indien nodig af met een vochtige zachte doek. Gebruik geen schoonmaak- of oplosmiddelen.

Houd de machine en de ventilatieopeningen altijd schoon om veilig en goed te kunnen werken.

Dit product is uitsluitend bedoeld voor gebruik binnenshuis, niet voor commerciële of gekwalificeerde metingen door professionals.

Bewaar deze handleiding voor toekomstig gebruik.

Fabrikant: IKEA of Sweden AB

Adres: Box 702, SE-343 81 Älmhult, ZWEDEN



Accu's en oplaadbare batterijen mogen niet als huishoudelijk afval afgevoerd worden! Als consument bent u wettelijk verplicht om alle batterijen en accu's, of ze nu schadelijke stoffen* bevatten of niet, af te voeren op een inzamelpunt in uw gemeente/ buurt of via een commercieel bedrijf dat afvoer van batterij verzorgd, zodat ze op een milieuvriendelijke manier kunnen worden verwijderd.

* gemarkeerd met: Cd = cadmium, Hg = kwik, Pb = lood



Het symbool met de doorgestreepte vuilnisbak op wietjes geeft aan dat het product gescheiden van het huishoudelijk afval moet worden aangeboden. Het product moet worden ingeleverd voor recycling in overeenstemming met de plaatselijke milieuvorschriften voor afvalverwerking. Breng het naar de plaatselijke milieustraat of het dichtstbijzijnde IKEA woonwarenhuis. Door producten met dit symbool te scheiden van het huishoudelijk afval, help je de hoeveelheid afval naar verbrandingsovens of stortplaatsen te verminderen en eventuele negatieve invloeden op de volksgezondheid en het milieu te minimaliseren. Voor meer informatie neem contact op met IKEA.

Dansk

TRIXIG trådløs skruetrækker 3.6V

TEKNISKE SPECIFIKATIONER

Model: TRIXIG

Type: P2201

Spænding: 3.6 Vdc.

Batteritype: 1.5 Ah/ 5.4Wh lithium-ion

Opladningstid: <300 min

Maks. drejningsmoment: ca. 5 Nm

Maks. hastighed uden belastning: 200/min.

Borholder: 6.35 mm (1/4")

Vibration (i henhold til EN 62841-1, EN 62841-2-2):

Skrueetrækker uden stødkraft: $a_n=0.34 \text{ m/s}^2$, $K=1.5 \text{ m/s}^2$.

Støj (i henhold til EN62841-1):

Støjtryksniveau $L_{pA} = 62 \text{ dB (A)}$, $K_{pA} = 5 \text{ dB (A)}$

Støjeffektniveau $L_{wA} = 70 \text{ dB (A)}$, $K_{wA} = 5 \text{ dB (A)}$

KUN TIL INDENDØRS BRUG.

Anbefalet ladespænding:

5.0 V DC / 1.0-3.0 A (type C), ladetemperatur 0-50° C

Produktets funktioner

Nummereringen af de viste produktfunktioner henviser til illustration nr. 1 på illustrationssiden.

1. Skruetrækkerens hus
2. Skruetrækkerens spændepatron
3. Tænd/sluk-kontakt
4. USB-C-ladeindgang
5. Magnetisk bitholder
6. LED-arbejdslygte
7. Retningsomskifter
8. LED-strømstatusindikator

BEMÆRK!

USB-C-ledning og USB-lader medfølger ikke.

ANVENDELSE

Den elektriske skruetrækker bruges til at skrue skrue i og ud.

Værktøjet må kun bruges til det tilsigtede formål. Enhver anden brug anses for at være misbrug.

GENERELLE SIKKERHEDSANVISNINGER

Generelle sikkerhedsanvisninger for elværktøj



ADVARSEL! Læs alle sikkerhedsadvarsler, instruktioner, illustrationer og specifikationer, der følger med dette elværktøj. Manglende overholdelse af alle nedenstående instruktioner kan medføre elektrisk stød, brand og / eller alvorlig personskade.

Gem alle advarsler og instruktioner til fremtidig reference

Udtrykket "elværktøj" i advarslerne henviser til elværktøj med netledning eller batteridrevet (ledningsfrit) elværktøj.

Sikkerhed i arbejdsområdet

- Hold arbejdsområdet rent og veloplyst.** Rodede og mørke områder giver risiko for uheld.
- Elværktøj må ikke bruges i omgivelser med eksplosionsfare, f.eks. i nærheden af brændbare væsker, gasser eller støv.** Elværktøj skaber gnister, der kan antænde støv eller dampe.
- Børn og andre personer må ikke være i nærheden, når du betjener et elværktøj.** Hvis du bliver distraheret, kan du miste kontrollen over værktøjet.

Elektrisk sikkerhed

- Stikket på elværktøjet skal passe til eludtaget. Stikket må ikke ændres på nogen måde. Brug ikke et adapterstik sammen med et jordet/jordforbundet elværktøj.** Stik, der ikke er ændret, og eludtag, der passer til, reducerer risikoen for elektrisk stød.
- Undgå kropskontakt med overflader med jordkontakt, f.eks. rør, radiatorer, komfurer og køleskabe.** Der er større risiko for at få stød, hvis din krop har jordkontakt.
- Elværktøj må ikke udsættes for regn eller fugtige forhold.** Hvis der trænger vand ind i et elværktøj, stiger risikoen for elektrisk stød.
- Ledningen må ikke beskadiges. Brug aldrig ledningen til at bære eller trække i elværktøjet eller til at trække stikket ud af stikkontakten.** Hold ledningen væk fra varme, olie, skarpe kanter eller bevægelige dele. Beskadigede eller filtrerede ledninger forøger risikoen for elektrisk stød.
- Når du betjener et elværktøj udendørs, skal du bruge en forlængerledning, der er beregnet til udendørs brug.** Hvis du bruger en ledning, der er beregnet til udendørs brug, reducerer risikoen for elektrisk stød.
- Hvis du ikke kan undgå at betjene elværktøjet i fugtige omgivelser, skal du bruge en beskyttelsesenhed til reststrøm (RCD).** Brug af RCD reducerer risikoen for at få elektrisk stød.

Personlig sikkerhed

- a. **Vær opmærksom, hold øje med, hvad du laver, og brug almindelig sund fornuft, når du betjener et elværktøj. Brug ikke et elværktøj, hvis du er træt eller påvirket af narkotika, alkohol eller medicin.** Et øjeblikks uopmærksomhed, mens du bruger et elværktøj, kan forårsage alvorlig personskade.
- b. **Brug personlige værnemidler.** Bær altid øjenværn. Sikkerhedsudstyr, f.eks. støvmaske, skridsikre sikkerhedssko, beskyttelseshjelm eller høreværn, der bruges under de relevante forhold, reducerer risikoen for personskade.
- c. **Undgå, at værktøjet starter ved en fejl: Sørg for, at kontakten er slukket, før du sætter stikket i stikkontakten og/eller batteriet, løfter eller bærer værktøjet.** Risikoen for ulykker stiger, hvis du bærer elværktøj med fingeren på kontakten eller sætter stikket i stikkontakten, når kontakten er tændt.
- d. **Fjern indstillingskile eller skruenøgle, før du tænder elværktøjet.** En skruenøgle eller kile, der sidder i en roterende del på elværktøjet, kan medføre personskade.
- e. **Lad være med at strække dig, når du bruger elværktøjet. Hold hele tiden fødderne på jorden, og hold balancen.** Det giver dig bedre kontrol over elværktøjet, hvis der opstår en uventet situation.
- f. **Bær fornuftigt tøj, ikke løs beklædning eller smykker. Hold hår, beklædning og handske væk fra bevægelige dele.** Løst tøj, smykker og langt hår kan sidde fast i bevægelige dele.
- g. **Hvis der leveres apparater til tilslutning af støvudsugnings- og opsamlingsudstyr, skal du sørge for, at de tilsluttes og bruges korrekt.** Brug af dette udstyr kan reducere farer ifm. støv.
- h. **Selvom du har brugt et værktøj hyppigt og derfor har et godt kendskab til det, skal du altid være opmærksom og ikke ignorere værktøjets sikkerhedsregler.** En skødesløs handling kan forårsage alvorlig skade inden for en brøkdels af et sekund.

Brug og vedligeholdelse af elværktøjet

- a. **Elværktøjet må ikke betjenes med magt. Brug et elværktøj, der er beregnet til den relevante opgave.** Det er bedre og mere sikkert at bruge et elværktøj, der er udviklet til opgaven.
- b. **Brug ikke elværktøjet, hvis tænd-/slukkkontakten ikke fungerer.** Elværktøj, der ikke kan kontrolleres med tænd-/slukkkontakten er farligt og skal repareres.
- c. **Træk stikket ud af stikkontakten og/eller fjern batteriet, før du ændrer værktøjet, skifter tilbehør eller lægger værktøjet væk.** Forebyggende sikkerhedsforanstaltninger som disse reducerer risikoen for, at elværktøjet starter ved en fejl.
- d. **Opbevar elværktøj, der ikke er i brug, utilgængeligt for børn, og lad ikke personer, der ikke er bekendt med brugen af værktøjet eller disse anvisninger, betjene elværktøjet.** Elværktøj er farligt i hænderne på uerfarne brugere.
- e. **Elværktøjet skal vedligeholdes. Efterse de bevægelige dele for skævheder og kontrollér, om de binder eller er ødelagte, eller om der er andre forhold, der kan påvirke elværktøjets drift.** Hvis elværktøjet er beskadiget, skal det repareres før brug. Mange ulykker forårsages af elværktøj, der ikke er tilstrækkeligt vedligeholdt.
- f. **Hold skæreværktøjer skarpe og rene.** Et korrekt vedligeholdt skæreværktøj med skarpt skær binder ikke og er nemmere at styre.
- g. **Brug elværktøj, tilbehør, bordele osv. i henhold til disse anvisninger og på den måde, der er beregnet til det pågældende elværktøj.** Tag hensyn til arbejdsforholdene og den opgave, der skal udføres. Brug af elværktøj til andre

opgaver end dem, det er beregnet til, kan medføre farlige situationer.

- h. **Hold greb og overflader, der tages fat i, tørre, rene og fri for olie og fedt.** Hvis greb og overflader, der tages fat i, er glatte, er det usikkert at håndtere og styre værktøjet i uventede situationer.

Brug og vedligeholdelse af batteridrevet værktøj

- a. **Må kun genoplades med den oplader, der er angivet af producenten.** En oplader, der er beregnet til én type batteri, kan medføre brandfare, hvis den bruges sammen med et andet batteri.
- b. **Brug kun elværktøj sammen med de angivne batterier.** Hvis der bruges andre batterier, kan der opstå fare for personskade og brand.
- c. **Når batteriet ikke er i brug, skal det holdes væk fra andre metalgenstande, f.eks. papirclips, mønter, nøgler, søm, skruer eller andre små metaldele, der kan skabe forbindelse mellem terminalerne.** Kortslutning af batteriterminalerne kan forårsage forbrændinger eller brand.
- d. **Hvis batteriet bruges forkert, kan det lække væske. Undgå kontakt med denne væske. Hvis der opstår kontakt ved et uheld, skal området skylles med vand. Hvis du får væsken i øjnene, skal du søge læge.** Væske fra batteriet kan medføre irritation eller forbrænding.
- e. **Brug ikke en batteripakke eller et værktøj, der er beskadiget eller ændret.** Beskadigede eller modificerede batterier kan udvise uforudsigelig adfærd, hvilket kan medføre brand, eksplosion eller risiko for personskade.
- f. **Udsæt ikke en batteripakke eller et værktøj for brand eller for høje temperaturer.** Udsættelse for brand eller en temperatur over 130 °C kan forårsage en eksplosion.
- g. **Følg alle ladeinstruktioner, og oplad ikke batteriet eller værktøjet uden for det temperaturområde, der er angivet i instruktionerne.** Forkert ladning eller ladning ved temperaturer uden for det angivne område kan beskadige batteriet og øge risikoen for brand.

Service

- a. **Få dit elværktøj serviceret af en uddannet person, der kun bruger originale reservedele.**
Det garanterer, at elværktøjet bliver ved med at være sikkert at bruge.
- b. **Forsøg aldrig at reparere beskadigede batteripakker.** Service af batteripakker bør kun udføres af producenten eller autoriserede tjenesteudbydere.

MASKINSPECIFIKKE SIKKERHEDSANVISNINGER

Sikkerhedsadvarsler for boremaskiner/skruetrækkere

Hold elværktøjet fast i de isolerede greb, når du udfører en handling, hvor bor eller fastgørelseselementer kan komme i kontakt med skjulte ledninger. Fastgørelseselementer, der kommer i kontakt med en strømførende ledning, kan gøre udsatte metaldele af elværktøjet ledende og kan give operatøren elektrisk stød

Brug egnede søgeinstrumenter til at finde frem til skjulte forsyningsledninger i arbejdsområdet, eller kontakt det lokale forsyningselskab. Kontakt med elektriske ledninger kan medføre brand og elektrisk stød. Beskadigelse af en gasledning kan medføre eksplosion. Gennemsavning af et vandrør kan medføre materiel skade eller elektrisk stød.

Sluk for elværktøjet med det samme, hvis værktøjet blokeres eller sidder fast. Vær forberedt på et højt reaktionsmoment, der kan forårsage tilbageslag. Værktøjet blokeres, når:

- elværktøjet udsættes for overbelastning
- eller det bliver fastklemt i emnet.

Hold godt fast i elværktøjet. Når skruer spændes og løsnes, kan der opstå korte, høje reaktionsmomenter.

Fastgør arbejdsemnet. Et arbejdsemne holdes bedre fast med spændestykker eller i en skruetvinge end med hånden.

Hold din arbejdsplads ren. Der kan især opstå farlige situationer, hvis forskellige materialer bliver blandet. Letmetalstøv kan brænde eller eksplodere.

Læg først elværktøjet fra dig, når det er standset helt. Indsatsværktøjet kan blokere, og du kan miste kontrollen over elværktøjet.

Undgå at tænde værktøjet ved en fejl. Kontrollér, at tænd-slukkontakten er slukket, før batteriet sættes i. Undgå at bære elværktøjet med fingeren placeret på kontakten, eller at sætte batteriet i værktøjet, når kontakten er tændt, da det kan medføre ulykker.

Sikkerhedsadvarsler vedrørende batteriopladere



Kun til indendørs brug.

Hold batteriopladeren væk fra regn og fugt. Hvis der trænger vand ind i batteriopladeren, stiger risikoen for at få elektrisk stød.

Oplad ikke andre batterier. Batteriopladeren er kun beregnet til at oplade de batterier, der leveres med dette elværktøj. Hvis den bruges til andre batterier, kan der opstå risiko for brand eller eksplosion.

Hold batteriopladeren ren. Hvis den er snavset, kan der opstå fare for at få elektrisk stød.

Kontrollér batterioplader, ledning og stik før hver brug. Hvis de er beskadiget, må batteriopladeren ikke bruges. Forsøg aldrig at åbne batteriopladeren selv. Reparationer må kun udføres af fagpersoner. Beskadigede batteriopladere, ledninger og stik forøger risikoen for at få elektrisk stød.

Batteriopladeren må ikke bruges på let antændelige overflader (f.eks. papir, tekstiler osv.) eller i brandfarlige omgivelser. Batteriopladeren bliver varm under opladningsprocessen, og det kan medføre brandfare.

Børn skal overvåges for at sikre, at de ikke leger med batteriopladeren.

INFORMATION OM VIBRATIONER OG STØJ

Vibrations- og støjniveau

De vibrations- og støjniveauer, der er angivet i denne brugsanvisning, er målt i henhold til den standardiserede test i EN 62841. De kan bruges til at sammenligne et værktøj med et andet og som en foreløbig vurdering af eksponering for vibrationer og støj ved brug af værktøjet til de formål, der er nævnt i denne brugsanvisning. Brug af værktøjet til forskellige formål eller med forskelligt eller dårligt vedligeholdt udstyr kan dog øge eksponeringen betydeligt.

Et skøn over eksponeringen for vibrationer og støj bør også tage hensyn til de tidsintervaller, hvor værktøjet er slukket, samt når det kører, men ikke bruges, da det kan reducere eksponeringen betydeligt i den samlede arbejdstid. Beskyt dig mod virkningerne af vibrationer og støj ved at vedligeholde værktøjet og dets udstyr, holde dine hænder varme og planlægge dit arbejde.

Andre risici

Selv når elværktøjet bruges som foreskrevet, er det ikke muligt at eliminere alle andre risikofaktorer. Der kan opstå følgende risici i forbindelse med elværktøjets konstruktion og udformning:



Skader på lungerne, hvis en effektiv støvmaske ikke bæres.



Hørskader, hvis der ikke benyttes effektivt høreværn.



Sundhedsskader som følge af vibrationer, hvis elværktøjet bruges over længere tid eller ikke håndteres og vedligeholdes korrekt.



ADVARSEL! Dette elværktøj genererer et elektromagnetisk felt under brugen. Under bestemte omstændigheder kan dette felt forstyrre aktive eller passive medicinske implantater. For at reducere risikoen for alvorlig eller dødelig tilskadecomst anbefaler vi personer med medicinske implantater at konsultere deres læge og producenten af det medicinske implantat, før de betjener denne maskine.

MONTERING

Rotationsretningsomskifteren skal sættes i midterpositionen, før der indstilles på værktøjet (f.eks. vedligeholdelse, udskiftning af bor osv.) samt under transport og ved opbevaring. Hvis du ved en fejl kommer til at tænde værktøjet, kan du komme til skade.

Sådan oplader du din skruetrækker

Tilslut enden af USB-C-ledningen til USB-C-porten (fig. 2) (A) på skruetrækkeren. Tilslut derefter den anden ende af USB-ledningen til en USB-lader eller et USB-udtag, der kan give tilstrækkelig strøm til at oplade skruetrækkeren. Sørg for, at der ikke er knuder eller skarpe bøjninger på ledningen.

Når skruetrækkeren er tilsluttet strømforsyningen med en USB-C-ledning, vil tre lysdioder på skruetrækkeren (fig. 2) (B) lyse og angive ladestatus:

- Blinkende lys - ladning i gang
- Konstant lys - ladning afsluttet

Når skruetrækkerens batteri er fuldt opladet, og skruetrækkeren forbliver tilsluttet strømforsyningen, vil lysdioderne lyse konstant. Under normale anvendelsesforhold kan skruetrækkeren genoplades flere hundrede gange.

OBS! Genopladningsprocessen gør batteriet varmt. Bemærk! Det anbefales ikke at genoplade batteriet i temperaturer under frysepunktet. Batteriet bliver gradvist afladet over tid, også selvom værktøjet ikke bliver brugt.

BEMÆRK! Batteriet, der leveres med skruetrækkeren, er udelukkende opladet som led i en test og skal oplades fuldstændigt før brug.

Lithium-ion-batteriet er beskyttet mod fuldstændig afladning af ECP batteribeskyttelse. Når batteriet er tomt, slukker værktøjet ved hjælp af et beskyttelses kredsløb, og det isatte bor holder op med at rotere.



ADVARSEL! Undlad at trykke på tænd-/slukknappen, når værktøjet er slukket automatisk. Det kan beskadige batteriet.



ADVARSEL! Batteriet må kun oplades på en ikke-brændbar overflade. Batteriet må ikke oplades i mere end 8 timer.

BRUGSANVISNING

Betjening

Denne trådløse skruetrækker kan arbejde med forskellige typer og længder af skruetrækkerdele med et sekskantet skaft, der er 6,35 mm på tværs af fladerne.

Isætning af skruetrækkerdele (Billede 3)

Vælg den rigtige skruetrækkerdel til de skruer, der bruges. Sæt skruetrækkerdelen i skruetrækkeren og skub den helt på plads.

BEMÆRK: Det anbefales altid at bore et prøvehul, før skrue skrues i med dette produkt.

Tænd og sluk

Til skruearbejde skal du trykke på ON/OFF-kontakten (3). Hvis du slipper ON / OFF-kontakten, stopper skruetrækkeren. For at skruer skrues ud ændres rotationsretningen ved at trykke på retningsomskifteren (7).

Automatisk låsning af spindel

Værktøjets spindel låses automatisk, når det slukkes. Skruetrækkeren kan derefter bruges som manuelt værktøj.

Magnetisk holder til bor

De bor, du anvender her og nu, kan du placere på den magnetiske holder (5) til boret på toppen af skruetrækkeren for at have dem lige ved hånden, når du arbejder.

LED-arbejdsbelysning

Skruetrækkeren har et indbygget LED-arbejdslys til at oplyse arbejdsområdet. LED-arbejdslyset tænder, når du trykker på knappen, og slukker, når du trykker på knappen igen.

Vedligeholdelse og rengøring

Skruetrækkeren skal altid holdes ren og tør, så den fungerer godt og sikkert. Tør snavs af med en blød, fugtig klud. Brug ikke rengørings- eller opløsningsmidler.

Hold altid elværktøjet og ventilationsåbningerne rene, så værktøjet fungerer sikkert og ordentligt.

Produktet er beregnet til privat brug. Det er ikke beregnet til kommercielt eller professionelt brug.

Gem denne brugsanvisning til fremtidig brug.

Producent: IKEA of Sweden AB

Adresse: Box 702, SE-343 81, Älmhult, SVERIGE



Batterier og genopladelige batterier er ikke husholdningsaffald! Som forbruger er du ved lov forpligtet til at bortskaffe alle batterier og genopladelige batterier, uanset om de indeholder skadelige stoffer* eller ej, til et indsamlingssted i din kommune/nabolag eller via en kommerciel virksomhed, der tilbyder bortskaffelse af batterier, så de kan bortskaffes på en miljømæssigt forsvarlig måde.

* markeret med: Cd = cadmium, Hg = kviksølv, Pb = bly



Symbolet med den overkrydsede affaldsspand på hjul angiver, at produktet skal bortskaffes adskilt fra husholdningsaffald. Produktet skal indleveres til genbrug i henhold til den lokale miljølovgivning for bortskaffelse af affald. Ved at adskille produktet fra husholdningsaffald hjælper du med at reducere den mængde affald, der sendes til forbrænding eller på lossepladsen, og minimerer eventuelle negative indvirkninger på menneskers sundhed og miljøet. Kontakt det nærmeste IKEA varehus for at få flere oplysninger.

Íslenska

TRIXIG Þráðlaus skrúfvél 3.6V

TÆKNILEGAR UPPLÝSINGAR

Módel: TRIXIG

Tegund: P2201

Rafspenna: 3.6 Vdc.

Tegund rafhlöðu: 1.5 Ah/ 5.4Wh Lithium Ion

Hleðslutími: <300 mín

Hámarkstog: U.þ.b. 5 Nm

Hámarksnúningshraði án álags: 200/min

Borastærð: 6.35 mm (1/4")

Titringur (samkvæmt EN 62841-1, EN 62841-2-2):

Skrúfað án höggs $a_n=0.34 \text{ m/s}^2$, $K=1.5 \text{ m/s}^2$.

Hljóð (samkvæmt EN 62841-1):

Hljóðþrýstistig $L_{pA} = 62 \text{ dB (A)}$, $K_{pA} = 5 \text{ dB (A)}$

Hljóðafsstig $L_{wA} = 70 \text{ dB (A)}$, $K_{wA} = 5 \text{ dB (A)}$

AÐEINS TIL NOTA INNANDYRA.

Ráðlögð hleðsluspenna:

5.0Vdc. / 1.0-3.0A (gerð C), hleðsluhitastig 0-50°C

Vörueiginleikar

Tölusetning eiginleika vörunnar sem sýnd er vísar til myndar nr. 1 á grafísku síðunni.

1. Meginhluti skrúfjárn
2. Bitahaldari skrúfjárn
3. ON/OFF rofi
4. USB-C hleðslutengi
5. Segulmagnaður bitahaldari
6. LED vinnuljós
7. Snúningsstefnurofi
8. LED hleðslustöðuvísir

ATHUGIÐ!

USB-C snúru og USB hleðslutæki eru ekki innifalin.

NOTKUN

Skrúfvélin er til að skrúfa í og fjarlægja skrúfur.

Verkfærið skal aðeins notað í þeim tilgangi sem mælt er fyrir um. Öll önnur notkun telst vera röng og tilvirk misnotkunar.

ALMENNAR ÖRYGGISLEIÐBEININGAR

Almennar öryggisleiðbeiningar



VIÐVÖRUN! Lesið allar öryggisviðvaranir, leiðbeiningar, skýringarmyndir og forskriftir sem fylgja þessu rafmagnsverkfæri. Ef ekki er farið eftir öllum leiðbeiningunum hér að neðan getur það valdið raflosti, eldsvoða og/eða alvarlegum meiðslum.

Vistaðu allar viðvaranir og leiðbeiningar til síðari viðmiðunar

Hugtakið "rafmagnsverkfæri" í viðvörunum vísar til rafmagnstækis sem er knúð af rafmagni eða rafhlöðuknúnu (þráðlausu) rafmagnsverkfæri þínu.

Vinnusvæði

- Hafið vinnusvæðið snyrtilegt og vel upplýst.** Óreiða og slæm lýsing á vinnusvæði býður hættunni heim.
- Notið ekki verkfæri á stöðum þar sem getur skapast sprengihætta, til að mynda nálægt eldfimum vökva, gasi eða ryki.** Verkfæri geta gefið frá sér neista sem getur kveikt í ryki og gufum.
- Haldið börnum og nærstöddum fjarri vinnusvæði á meðan verkfærið er í notkun.** Ónæði getur orðið til þess að þú missir einbeitinguna.

Rafmagnsöryggi

- Nota verður viðeigandi innstungu fyrir kló verkfærisins. Reynið aldrei að breyta klónni á nokkurn hátt.** Notið ekki millistykki með jarðtengdum verkfærum. Notkun upprunalegra klóa og innstungna dregur úr hættu á raflosti.
- Forðist að snerta jarðtengda fleti, eins og leiðslur, ofna, eldavélar eða kæla.** Það getur aukið hættu á raflosti ef notandinn er tengdur jörð.
- Notið ekki verkfæri í regni eða bleytu.** Ef vatn kemst inn í verkfærið er hættu á raflosti.
- Farið vel með snúrana.** Notið snúrana aldrei til að bera verkfærið, draga það áfram eða til að kippa úr sambandi. Haldið snúrinni fjarri hita, olíu, beittum hlutum og hlutum á hreyfingu. Skemmd eða flækt snúra eykur hættu á raflosti.
- Þegar verkfæri er notað utandyra, þarf að nota framlengingarsnúru sem til þess er ætluð.** Það dregur úr hættu á raflosti.
- Ef ekki er komist hjá því að nota verkfærið við rök skilyrði ætti alltaf að nota útsláttaröryggi.** Það dregur úr hættu á raflosti.

Öryggi þitt

- Vertu vakandi, gættu að því sem þú gerir og notaðu almenna skynsemi við notkun verkfæra.** Notaðu ekki verkfæri þegar þú ert þreytt/ur eða undir áhrifum eiturlyfja, áfengis eða lyfja. Augnabliks einbeitingarskortur getur valdið alvarlegu slysi.

- b. **Notið öryggisbúnað.** Notið alltaf öryggisgleraugu. Rétt notaður öryggisbúnaður eins og rykgríma, öryggisskór, öryggishjálmur og heyrnarhlíf dregur úr slysaþættu.
- c. **Gætið þess að ekki kvikni óvart á verkfærinu. Gætið þess að slökkt sé á verkfærinu áður en því er stungið í samband.** Ef haldið er á verkfæri með fingurinn á giknum eða stungið í samband á meðan kveikt er á því, eykst slysaþætta.
- d. **Fjarlægjið smærri verkfæri sem hanga mögulega á verkfærinu,** til að mynda skrúflykla og slíkt, áður en kveikt er á því.
- e. **Teygðu þig ekki of langt. Hafðu alltaf góða fótfestu.** Þá hefurðu betri stjórn á verkfærinu ef eitthvað óvænt gerist.
- f. **Vertu í viðeigandi klæðnaði. Vertu ekki í of víðum fatnaði eða með hangandi skartgrip.** Haltu hári, fötum og hönskum fjarri hlutum sem snúast. Víð fót, skartgripir eða sitt hár geta festst í hlutum verkfærisins sem snúast.
- g. **Gætið þess að nota aukahluti eins og ryksafnara á réttan hátt.** Notkun slíks búnaðar getur dregið úr slysaþættu.
- h. **Þó þú notir verkfæri oft máttu ekki gleyma eða hunsu öryggisatriði við notkun þeirra.** Óvarfærni gæti leitt til slysa á augabragði.

Notkun og umhirða verkfærisins

- a. **Þvingið ekki verkfærið. Notið rétt verkfæri fyrir hvert verkefni.** Rétt valið verkfæri vinnur verkefnið betur og á öruggari hátt.
- b. **Notið ekki verkfærið ef það fer ekki í gang þegar kveikt er á því.** Verkfæri sem ekki er hægt að kveikja á eða slökva á eðlilegan hátt er hættulegt og þarfnast viðgerðar.
- c. **Takið úr sambandi áður en átt er við verkfærið á nokkurn hátt, skipt um aukahluti eða það sett í geymslu.** Slíkar varúðarráðstafanir draga úr líkum á að það fari óvænt í gang.
- d. **Geymið verkfæri sem ekki eru í notkun þar sem börn ná ekki til og leyfið ekki övönum að nota verkfærið.** Verkfæri eru hættuleg í höndum óþjálfðra.
- e. **Haldið verkfærum vel við. Athugið reglulega hvort hlutar þess hafi skekkst eða skemmt, eða hvort það sé skemmt á nokkurn annan hátt sem gæti orðið til þess að það virki ekki sem skyldi.** Ef það er skemmt þarf að láta gera við það áður en það er notað. Mörg slysa má rekja til slælegs viðhalds.
- f. **Haldið verkfærum sem notuð eru til skurðar beittum og hreinum.** Hnífar og blöð sem haldið er beittum eru ólíklegri til að standa á sér og láta betur að stjórn.
- g. **Notið verkfærið, fylgihluti, skrúfbita og annað í samræmi við leiðbeiningar og á tilætlaðan hátt í hverju tilviki fyrir sig.** Takið alltaf tillit til aðstæðna og verkefnis. Notkun verkfærisins í öðrum en tilætluðum tilgangi eykur slysaþættu.
- h. **Hafðu handföng og grip þurr, hrein og laus við olíu eða smurningu.** Sleip handföng og grip koma í veg fyrir örugga notkun og stjórn á verkfærinu í óvæntum aðstæðum.

Notkun og umhirða rafhlöðu

- a. **Notið aðeins hleðslutæki sem samþykkt er af framleiðanda.** Hleðslutæki sem hentar einni rafhlöðu gæti valdið eldhættu ef notað með annarri rafhlöðu.
- b. **Notið aðeins rafhlöður sem ætlaðar eru þessu verkfæri.** Ef notaðar eru aðrar rafhlöður getur skapast slysa- og eldhætta.
- c. **Þegar rafhlöðurnar eru ekki í notkun ætti að geyma þær fjarri öðrum málmhlutum eins og bréfaklemmum, smámynt, lykllum, nöglum, skrúfum og öðrum smáhlutum úr málmí sem geta leitt straum.** Skammhlaup í rafhlöðunum getur valdið brunasárum eða eldhættu.
- d. **Við slæma meðhöndlun gæti rafhlaðan lekið. Snertið ekki vökvann. Ef vökvinn**

- kemst í snertingu við húð á að skola með vatni.** Ef vökvinn berst í augu þarf að leita læknis. Vökvi sem lekur úr rafhlöðu getur valdið óþægindum eða bruna.
- e. **EKKI nota rafhlöðupakka eða verkfæri sem er skemmt eða breytt.** Skemmdar eða breyttar rafhlöður geta sýnt ófyrirsjáanlega hegðun sem leiðir til elds, sprengingar eða hættu á meiðslum.
- f. **EKKI láta rafhlöðupakka eða tól verða fyrir eldi eða of miklum hita.** Nálægð við eld eða hita yfir 130 °C getur valdið sprengingu.
- g. **Fylgdu öllum hleðsluleiðbeiningum og ekki hlaða rafhlöðupakkann eða verkfærið utan hitastigssviðsins sem tilgreint er í leiðbeiningunum.** Hleðsla á rangan hátt eða við hitastig utan tilgreinds sviðs getur skemmt rafhlöðuna og aukið eldhættu.

Viðhaldsþjónusta

- a. **Nýtið ykkur aðstoð fagmanns sem notar upprunalega varahluti, til að gera við verkfærið.**
Það tryggir viðvarandi öryggi verkfærisins.
- b. **Aldrei þjónusta skemmdum rafhlöðupökkum.** Einungis framleiðandinn eða viðurkenndir þjónustuveitendur skulu annast rafhlöðupakka.

SÉRTÆKAR ÖRYGGISLEIÐBEININGAR

Öryggisviðvaranir fyrir bor- og skrufélar

Haldið rafmagnsverkfærinu við einangraða gripfletina þegar notkun er framkvæmd þar sem festingin gæti komist í snertingu við faldar raflagnir. Skurðarbúnaðurinn eða festingarnar sem komast í snertingu við virka raflögn geta gert óvarða málmhluta rafmagnsverkfærisins leiðandi og gætu valdið raflosti.

Notið viðeigandi nema til að meta hvort faldir vírar eða pípur séu þar sem á að bora/skrúfa. Ef borað eða skrúfað er í rafmagnslínur getur það valdið eldsvoða og raflosti. Ef gaspípa er skemmd getur það valdið sprengihættu. Ef vatnspípa er skemmd getur það valdið meiri skemmdum eða raflosti.

Slökktu á rafmagnsverkfærinu um leið og verkfærið læsist eða festist. Vertu viðbúinn miklu viðbragðstogi sem getur valdið bakslagi. Verkfærið læsist þegar:

- rafmagnsverkfærið verður fyrir of miklu álagi
- eða það festist í hlutnum sem unnið er í.

Haldið þétt um verkfærið. Það getur rykkst til við átakið þegar byrjað er að bora/skrúfa.

Hafið verkfærið stöðugt. Verkfæri sem haldið er á sínum stað með þvingum eða í skrufstykki er mun öruggara en það sem haldið er með handaflí.

Haldið vinnusvæðinu hreinu. Það er sérstaklega varasamt ef mismunandi efni blandast saman. Ryk úr málmblöndum er eldfimt og getur sprungið.

Bíðið alltaf þar til borinn/skrúfbitinn hefur stöðvast að fullu áður en verkfærið er lagt niður. Annars er hættu á að hann festist og það leitt til þess að þú missir stjórn á verkfærinu.

Gætið þess að verkfærið fari ekki óvart í gang. Tryggið að gíkkurinn sé stilltur á off áður en rafhlaðan er sett í. Það býður slysunum heim að halda á verkfærinu með fingurinn á gíkknum eða setja rafhlöðuna í þegar aðalrofinn er stilltur á on.

Öryggisviðvaranir fyrir rafhlöðuhleðslutæki



Aðeins til nota innandyra.

Haldið hleðslutækinu fjarri regni og raka. Ef raki kemst inn í tækið eykur það hættu á raflosti.

Hlaði ekki aðrar rafhlöður í tækinu. Hleðslutækið er aðeins ætlað rafhlöðunum sem fylgja með verkfærinu þínu. Annars getur myndast eld- og sprengihætta.

Haldið hleðslutækinu hreinu. Óhreinindi geta leitt til hættu á raflosti.

Fyrir hverja notkun ætti að fara yfir hleðslutækið, snúrana og klóna. Ef einhverjar skemmdir koma í ljós á alls ekki að nota tækið. Opnið aldrei hleðslutækið sjálf. Látið faglærðan aðila um viðgerðir. Skemmd hleðslutæki, snúrur eða klær auka hættuna á raflosti.

Látið hleðslutækið ekki standa á, eða nálægt, eldfimu efni þegar það er í notkun (eins og pappír, vefnaðarvöru o.fl.). Hitnun hleðslutækisins meðan á hleðslu stendur getur valdið eldhættu.

Gætið þess að börn leiki sér ekki með hleðslutækið.

UPPLÝSINGAR UM TITRING OG HÁVAÐA

Titringur og hávaðastig

Stig titrings og hávaðamengunar sem fram kemur í notendahandbókinni hefur verið mælt í samræmi við staðlaða prófun í EN 62841. Heimilt er að bera verkfærið saman við annað og sem bráðabirgðamat á váhrifum af titringi og hávaða þegar verkfærið er notað til þeirra framkvæmda sem getið er um í þessari handbók. Notkun verkfærisins við mismunandi framkvæmdir, eða með öðrum fylgihlutum eða fylgihlutum sem er illa viðhaldið, getur þó aukið váhrifastigið umtalsvert.

Við mat á því hversu mikil váhrif titrings og hávaða eru ætti einnig að taka tillit til þess hvenær slökkt er á tækinu eða þegar það er í gangi en ekki í notkun, þar sem það getur dregið verulega úr váhrifum á heildarvinnutímanum. Verndaðu þig gegn áhrifum titrings og hávaða með því að viðhalda tólinu og fylgihlutum þess, halda höndunum heitum og skípuleggja vinnu þína.

Önnur áhætta

Jafnvel þegar rafmagnsverkfærið er notað eins og mælt er fyrir um er ekki hægt að útrýma öllum öðrum áhættuþáttum. Eftirfarandi hættur geta skapast í tengslum við smíði og hönnun rafmagnsverkfærisins:



Skemmdir á lungum ef ekki er notuð rykgríma.



Heyrnarskerðing ef ekki er notuð öflug heyrnarvörn.



Heilsutjón af völdum titrings ef orkutækið er notað í lengri tíma eða ekki meðhöndlað og viðhaldið á réttan hátt.



VIÐVÖRUN! Þetta rafmagnsverkfæri framleiðir rafsegulsvið meðan á notkun stendur. Undir sumum kringumstæðum getur þetta svið haft áhrif á virk eða óvirk læknisfræðileg ígræði. Til að draga úr hættu á alvarlegum eða banvænum meiðslum mælum við með einstaklingum með læknisfræðileg ígræðslu að ráðfæra sig við lækinn sinn og framleiðanda ígræðisins áður en þessi vél er notuð.

SAMSETNING

Áður en átt er við véлина sjálfa (til dæmis vegna viðhalds eða skipti á skrófbita o.s.frv.) og eins þegar hún er flutt á milli staða eða í geymslu, þarf að gæta þess að rofinn sem stýrir snúningsátt sé stilltur fyrir miðju. Ef það kviknar óvart á vélinni gæti það valdið slysi.

Hlaða skróf

Lestu fyrst öryggisleiðbeiningarnar og fylgdu síðan hleðsluleiðbeiningunum. Tengdu USB-C snúruendann við USB-C tengið (Mynd. 2) (A) í skrófjárninu. Tengdu síðan hinn USB snúruendann við USB-hleðslutæki eða USB-innstungu sem getur veitt nægilegt afl til að hlaða skrófjárninu. Gakktu úr skugga um að það séu engir hnútar eða skarpar sveigjur á snúrunni.

Þegar skrófjárninu er tengt við rafmagnnið með USB-C snúru munu þrjár díóður á skrófjárninu (Pic. 2) (B) lýsa upp til að gefa til kynna hleðslustöðu:

- Blikkandi ljós - hleðsla í gangi

- Stöðugt ljós - hleðslu lokið

Eftir að rafhlaða skrófjárnins er fullhlaðin og skrófjárninu er áfram tengt við aflagjafa munu díóðurnar lýsa áfram. Við venjulegar notkunaraðstæður er hægt að hlaða skrófjárninu nokkur hundruð sinnum.

ATHUGAÐU! Rafhlaðan hitnar við hleðslu. Ekki er ráðlegt að hlaða rafhlöðuna við hitastig fyrir neðan frostmark. Hleðslan eyðist hægt og rólega, jafnvel þó vélin sé ekki notuð.

ATHUGAÐU! Rafhlaðan sem fylgir skrófvélinni hefur aðeins verið hlaðin til prófunar, því þarf að fullhlaða rafhlöðuna fyrir fyrstu notkun.

Lithium-Ion rafhlaðan er vernduð af ECP (Electronic Cell Protection) gegn því að rafhlaðan tæmist um of. Ef hún er að tæmast, slekkur verndarrás á henni: Verkfærið hættir þá að snúast.



VARÚÐ Ekki halda áfram að ýta á On/Off rofann eftir að vélin hefur stöðvast sjálfkrafa. Þá getur rafhlaðan skemmst.



VARÚÐ! Ekki endurhlaða rafhlöðuna á eldfimu yfirborði. Rafhlaðan má ekki vera lengur en átta tíma samfelld í hleðslu.

NOTKUNARLEIÐBEININGAR

Hægt er að nota ýmsar gerðir og lengdir af sexhyrnum, 6.25 mm skrúfbitum í þessa hefðbundnu skrúfvél.

Skrúbitarnir settir í (mynd 3)

Veljið réttan skrúfbita fyrir skrúfurnar sem á að nota. Setjið skrúfbitann í skrúfbitahaldarann, og gætið þess að ýta honum nægilega langt inn.

Athugið: Það er góð hugmynd að bora alltaf prufugat áður en skrúfvélin er notuð.

Kveikt og slökkt

Til að nota skrúfjárnid skal þrýsta á ON/OFF rofann (3). Ef þú sleppur ON/OFF rofanum mun skrúfjárnid stöðvast. Til að fjarlægja skrúfur og breyta snúningsstefnu skal ýta á snúningsstefnurofann (7).

Sjálfvirk læsing á snúningsöxli

Snúningsóxullinn læsist sjálfkrafa þegar slökkt er á vélinni. Það gerir þér kleift að skrúfa líka með handafli.

Segulmagnaður skrúfbitahaldari

Þú getur geymt skrúfbita sem þú ert að nota á segulmagnaða skrúfbitahaldaranum (5) ofan á skrúfvélinni til að hafa þá innan handar á meðan þú vinnur.

LED vinnulýsing

Skrúfvélin er með innbyggðri LED vinnulýsingu sem lýsir upp vinnusvæðið. Það kviknar á LED vinnulýsingunni í hvert sinn sem giknum er þrýst inn og það slokkar á lýsingunni þegar honum er sleppt.

Umhirða og þrif

Haltu skrúfvélinni hreinni og þurri til að tryggja rétta og örugga virkni. Þurrkaðu af tækinu með mjúkrí, rakri tusku. Ekki nota hreinsiefni.

Alltaf ætti að halda verkfærinu og loftræstiraufunum hreinum svo að tryggja megi örugga og rétta notkun.

Varan er ætluð til heimilisafnota, ekki fyrir opinbera staði eða sem vottað tól fyrir fagfólk.

Geymið þessa handbók til síðari nota.

Framleiðandi: IKEA of Sweden AB

Heimilisfang: Box 702, SE-343 81 Älmhult, SVÍÐJÓÐ



Raflöður og endurhlaðanlegar raflöður eru ekki heimilissorpi! Sem neytanda ber þér samkvæmt lögum að farga öllum raflöðum og rafgeymum, hvort sem þau innihalda skaðleg efni* eða ekki, á söfnunarstað í þínu sveitarfélagi/hverfi eða í gegnum viðskiptaaðila sem býður raflöðuförgun svo hægt sé að farga þeim á umhverfisvænan hátt.

* merkt með: Cd = kadmíum, Hg = kvikasilfur, Pb = blý



Táknið með mynd af ruslatunnu með krossi yfir þýðir að ekki má farga vörunni með venjulegu heimilissorpi. Vörunni þarf að skila í endurvinnslu eins og lög gera ráð fyrir á hverjum stað fyrir sig. Með því að henda slíkum vörum ekki með venjulegu heimilissorpi hjálpar þú til við að draga úr því magni af úrgangi sem þarf að brenna eða nota sem landfyllingu og lágmarkar möguleg neikvæð áhrif á heilsu fólks og umhverfið. Þú færð nánari upplýsingar í IKEA versluninni.

Norsk

TRIXIG batteridrevet skrutrekker 3.6 V

TEKNISKE SPESIFIKASJONER

Modell: TRIXIG

Type: P2201

Spenning: 3.6 Vdc.

Batteritype: 1.5 Ah/ 5.4Wh Litium-ion

Ladetid: <300 Min

Maks hardt dreiemoment: ca. 5 Nm

Maks ingen lasthastighet: 200/min

Bitholder: 6.35 mm (1/4")

Vibrasjon (i henhold til NS-EN 62841-1, NS-EN 62841-2-2):

Skrutrekking uten støt: $a_n = 0.34 \text{ m/s}^2$, $K = 1.5 \text{ m/s}^2$.

Støy (i henhold til NS-EN 62841-1):

Støytrykknivå: $L_{pA} = 62 \text{ dB (A)}$, $K_{pA} = 5 \text{ dB (A)}$

Støyeffektnivå $L_{wA} = 70 \text{ dB (A)}$, $K_{wA} = 5 \text{ dB (A)}$

KUN FOR INNENDØRS BRUK.

Anbefalte ladeverdier:

5.0 Vdc. / 1.0-3.0 A (type C), ladetemperatur 0-50°C

Produktgenskaper

Nummereringen på de viste produktfunksjonene refererer til illustrasjon nummer. 1 på den grafiske siden.

1. Skrutrekker hoveddel
2. Skrutrekker bitsholder
3. PÅ/AV-bryter
4. USB-C ladekontakt
5. Magnetisk bitsholder
6. LED arbeidslys
7. Bryter for rotasjonsretning
8. LED-strømstatusindikator

MERK!

USB-C-kabel og USB-lader medfølger ikke.

BRUKSOMRÅDER

Den elektriske skrutrekkeren er laget for å skru i og fjerne skruer.

Verktøyet skal kun brukes til det foreskrevne formålet. All annen bruk anses å være misbruk.

GENERELLE SIKKERHETSINSTRUKSJONER

Generelle sikkerhetsinstruksjoner



ADVARSEL! Les alle sikkerhetsadvarsler, instruksjoner, illustrasjoner og spesifikasjoner som følger med dette elektriske verktøyet. Unnlattelse av å følge instruksjonene nedenfor kan føre til elektrisk støt, brann og/eller alvorlig skade.

Ta vare på alle advarsler og instruksjoner for fremtidig referanse

Begrepet "elektrisk verktøy" i advarslene refererer til ditt nettdrevne (med ledning) elektriske verktøy eller batteridrevne (trådløse) elektriske verktøy.

Sikkert arbeidsområde

- Hold arbeidsområdet rent og godt opplyst.** Rot og mørke områder gir større fare for ulykker.
- Ikke bruk elektroverktøy i eksplosive miljøer, som i nærheten av lettantennelige væsker, gass eller støv.** Elektroverktøy gir gnister som kan antenne dunst fra væsker og gass.
- Hold barn og tilskuere unna mens du bruker elektroverktøy.** Distraksjoner kan føre til at du mister kontroll.

Elektrisk sikkerhet

- Kontakten til elektroverktøyet må passe til kontakten i veggen. Du må aldri endre på kontakten på noen måte.** Ikke bruk adaptere til jordet verktøy. Intakte og matchende kontakter vil redusere faren for elektrisk støt.
- Unngå kroppskontakt med jordede overflater slik som rør, radiatorer, komfyrer og kjøleskap.** Faren for elektrisk støt er større dersom din kropp er jordet.
- La ikke elektroverktøy bli utsatt for regn eller fuktige forhold.** Dersom det kommer inn vann i et elektroverktøy øker faren for elektrisk støt.
- Ikke skad kablen. Bruk aldri kablen til å bære eller dra elektroverktøyet eller for å dra ut stikkontakten.** Hold ledninger borte fra høye temperaturer, olje, skarpe kanter eller bevegelige deler. Skadede eller sammenfiltrede kabler øker faren for elektrisk støt.
- Når du bruker elektroverktøy utendørs må skjøteledningen være egnet for utendørs bruk.** Dersom man bruker en skjøteledning for utendørs bruk reduseres faren for elektrisk støt.
- Hvis du ikke kan unngå å bruke elektroverktøyet i fuktige omgivelser, skal du bruke en beskyttelsesenhet til reststrøm (RCD).** Bruk av RCD reduserer risikoen for å få elektrisk støt.

Personlig sikkerhet

- Vær forsiktig, se på hva du gjør og bruk vanlig fornuft når du bruker elektroverktøy. Ikke bruk elektroverktøy når du er trøtt eller påvirket av narkotika, alkohol eller medisiner.** Et øyeblikks uoppmerksomhet når du bruker elektroverktøy kan føre til alvorlig personskade.

- b. **Bruk verneutstyr.** Bruk alltid vernebriller. Sikkerhetsutstyr som støvmaske, vernesko som ikke glir, hjelm og hørselsvern brukt når forholdene krever det vil redusere faren for personskade.
- c. **Unngå start ved et uhell. Sørg for at bryteren er i av-posisjon før du setter i ledningen.** Å bære elektroverktøy med fingeren på bryteren, eller å sette i kontakten på verktøy som har bryteren i på-posisjon inviterer ulykker.
- d. **Ta av verktøy som for eksempel en skiftenøkkel før du skrur elektroverktøyet på.** Manuelt verktøy som er festet til den roterende delen av elektroverktøyet kan føre til alvorlig personskade.
- e. **Ikke strekk deg for langt. Stå på stødig underlag og med god balanse.** Dette gir bedre kontroll over verktøyet i uventede situasjoner.
- f. **Kle deg riktig. Ikke bruk løstsittende klær eller smykker.** Hold hår, klær og hansker unna bevegelige deler. Løse klær m.m. kan sette seg fast.
- g. **Dersom det følger med innretninger som kan kobles til for å samle opp støv, sørg for at disse er koblet til og brukes riktig.** Bruk av disse kan redusere støvrelaterte skader.
- h. **Ikke la god kjennskap til verktøy, innhentet gjennom hyppig bruk, la deg føle deg for trygg slik at du overser de grunnleggende sikkerhetsreglene.** En uforsiktig handling kan føre til alvorlig skade i løpet av et øyeblikk.

Bruk og vedlikehold av elektroverktøy

- a. **Ikke prøv å tvinge elektroverktøy. Bruk riktig verktøy for oppgaven.** Riktig elektroverktøy vil gjøre jobben bedre og tryggere og så raskt som det er designet for.
- b. **Ikke bruk elektroverktøy dersom bryteren ikke lar seg skru av og på.** Ethvert verktøy som ikke kan kontrolleres med bryteren er farlig og må repareres.
- c. **Trekk ut kontakten før du gjør justeringer, endrer bits, tilbehør eller pakker bort verktøyet.** Slike forebyggende sikkerhetstiltak reduserer faren for å starte opp verktøyet ved et uhell.
- d. **Oppbevar elektroverktøy utenfor rekkevidde for barn og ikke la personer som ikke er kjent med denne typen verktøy eller disse instruksjonene utføre oppgaver med verktøyet.** Elektroverktøy er farlig i hendene på uerfarne brukere.
- e. **Vedlikehold av elektroverktøy.** Sjekk verktøyet og se etter skjev innstilling av eller låsing av bevegelige deler, ødelagte deler og andre forhold som kan påvirke bruken av verktøyet. Mange uhell skjer på grunn av dårlig vedlikehold av elektroverktøy.
- f. **Hold skjæreverktøy skarpt og rent.** Godt vedlikeholdt skjæreverktøy med skarpe skjærekanten har mindre sjanser for at de låser seg og gjør dem lettere å kontrollere.
- g. **Bruk elektroverktøy, tilbehør og bits m.m. i henhold til disse instruksjonene og til den bruken dette elektroverktøyet er beregnet for, også med tanke på arbeidsforhold og arbeidsoppgaver.** Bruk av elektroverktøy på andre måter enn det er beregnet for, kan resultere i farlige situasjoner.
- h. **Hold håndtak og gripeflater tørre, rene og frie for olje og fett.** Glatte håndtak og gripeflater kan forårsake utrygg håndtering og kontroll over verktøyet i uventede situasjoner.

Batteridrevet verktøy og vedlikehold

- a. **Lades opp kun med den laderen som er angitt av produsenten.** En lader som passer til en batteripakke kan gi brannfare hvis den brukes med en annen batteripakke.

- b. **Bruk kun elektroverktøy sammen med de batteriene som er angitt.** Hvis det brukes andre batterier, kan det oppstå fare for personskade og brann.
- c. **Når batteriet ikke er i bruk, skal det holdes borte fra andre metallgjenstander, f.eks. binders, mynter, nøkler, stift, skruer eller andre små metalldele, som kan skape forbindelse mellom batteripolene.** Kortslutning av batteripolene kan forårsake forbrenning eller brann.
- d. **Under for tøffe forhold kan det lekke væske fra batterier, unngå kontakt med denne væsken. Dersom du ved et uhell kommer i kontakt med væsken, skyll med vann. Dersom du får væsken i øynene, søk medisinsk hjelp.** Væske som spruter fra batterier kan gi irritasjon eller brannskade.
- e. **Ikke bruk en batteripakke eller et verktøy som er skadet eller modifisert.** Skadede eller modifiserte batterier kan oppføres seg uforutsigbart, noe som kan føre til brann, eksplosjon eller fare for skade.
- f. **Ikke utsett en batteripakke eller et verktøy for brann eller høye temperaturer.** Eksponering for brann eller temperaturer over 130 °C kan forårsake eksplosjon.
- g. **Følg alle ladeinstruksjoner, og ikke lad batteripakken eller verktøyet utenfor det temperaturområdet som er spesifisert i instruksjonene.** Feil lading eller ved temperaturer utenfor det spesifiserte område kan skade batteriet og øke risikoen for brann.

Reparasjon

- a. **Bruk en kvalifisert reparatør som bruker originale reservedeler for å reparere ditt elektriske verktøy.**
Dette vil sikre at verktøyet fungerer som det skal.
- b. **Utfør aldri service på skadede batteripakker.** Service på batteripakker skal kun utføres av produsenten eller autoriserte serviceleverandører.

MASKINSPESIFIKKE SIKKERHETSANVISNINGER

Sikkerhetsadvarsler for driller og skrutrekere

Hold det elektriske verktøyet i de isolerte gripeflatene når du bruker det der festet kan komme i kontakt med skjulte ledninger. Fester som kommer i kontakt med en strømførende ledning kan gjøre utsatte metalldele på det elektriske verktøyet ledende og kan gi brukeren elektrisk støt

Bruk passende detektorer til å avgjøre om det kan skjule seg skjulte strøm-/ gassledninger eller vannrør i arbeidsområdet ditt, eller ring ditt lokale strømforsyningselskap for assistanse. Kontakt med elektriske ledninger kan medføre brann og elektrisk støt. Skader på en gassledning kan medføre eksplosjon. Gjennomslag av et vannrør kan medføre materiell skade eller elektrisk støt.

Slå av det elektriske verktøyet umiddelbart hvis det blir blokkert eller sitter fast. Vær forberedt på høyt reaksjonsmoment som kan forårsake tilbakeslag. Verktøyet blokkeres hvis:

- det elektriske verktøyet utsettes for overbelastning
- eller det kiler seg fast i arbeidsstykket.

Hold godt fast i elektroverktøyet. Når skruer spennes og løsnes, kan det oppstå korte, høye reaksjonsmomenter.

Bruk klemmer eller en skruestikke for å holde fast materialene du arbeider med. Det er tryggere enn å holde dem med den hånden du har ledig og frigjør begge hender til bruk av verktøyet.

Hold arbeidsplassen din ren. Der kan oppstå farlige situasjoner, hvis forskjellige materialer blir blandet. Lettmetallstøv kan brenne eller eksplodere.

Legg først elektroverktøyet fra deg, når det er stanset helt. Verktøyinnsatsen kan blokkeres, og du kan miste kontrollen over elektroverktøyet.

Unngå å slå på verktøyet ved en feil. Kontroller at på-/avknappen er av, før batteriet settes i. Unngå å bære elektroverktøyet med fingeren plassert på på-/avknappen, eller å sette batteriet i verktøyet, når det er på, da det kan medføre ulykker.

Sikkerhetsadvarsler for batteriladere



Kun for innendørs bruk.

Hold batteriladere borte fra regn og fukt. Hvis det trenger vann inn i batteriladere, stiger risikoen for å få elektrisk støt.

Lad ikke opp andre typer batterier. Batteriladere er kun beregnet til å lade opp de batteriene som leveres med dette elektroverktøyet. Hvis den brukes til andre batterier, kan det oppstå risiko for brann eller eksplosjon.

Hold batteriladere ren. Hvis den er tilsmusset, kan det oppstå fare for å få elektrisk støt.

Kontroller batteriladere, ledning og støpsel før hver bruk. Dersom de er skadet, må batteriladere ikke brukes. Forsøk aldri å åpne batteriladere selv. Reparasjoner skal kun utføres av fagpersoner. Skadede batteriladere, ledninger og støpsel øker risikoen for å få elektrisk støt.

Batteriladere må ikke brukes på lettantennelige overflater (f.eks. papir, tekstiler osv.) eller i brannfarlige omgivelser. Batteriladere blir varme under oppladingsprosessen, og det kan medføre brannfare.

Barn skal overvåkes for å sikre at de ikke leker med batteriladere.

INFORMASJON OM VIBRASJON OG STØY

Vibrasjons- og støynivå

Vibrasjons- og støyutslippsnivået som er angitt i denne bruksanvisningen er målt i samsvar med en standardisert test i henhold til EN 62841. Den kan brukes til å sammenligne et verktøy med et annet og som en foreløpig vurdering av eksponering for vibrasjoner og støy når du bruker verktøyet til de bruksområdene som er angitt i denne bruksanvisningen. Imidlertid kan bruk av verktøyet til ulike bruksområder, eller med annet eller dårlig vedlikeholdt tilbehør, øke eksponeringsnivået betydelig.

En estimering av eksponeringsnivået for vibrasjoner og støy må også ta hensyn til tidspunktene når verktøyet er slått av eller når det går, men ikke brukes, ettersom dette kan redusere eksponeringsnivået betydelig i hele arbeidsperioden. Beskytt deg selv mot virkningene av vibrasjoner og støy ved å vedlikeholde verktøyet og tilbehøret, holde hendene varme og organisere arbeidet.

Andre risikoer

Selv når det elektriske verktøyet brukes som foreskrevet, er det ikke mulig å eliminere alle risikofaktorer. Følgende farer kan oppstå i forbindelse med det elektriske verktøyets konstruksjon og design:



Lungeskade hvis det ikke brukes effektiv støvmaske.



Hørselskade hvis det ikke brukes effektivt hørselsvern.



Helseskader som følge av vibrasjoner hvis det elektriske verktøyet brukes over lengre tid eller ikke håndteres og vedlikeholdes på riktig måte.



ADVARSEL! Dette verktøyet produserer et elektromagnetisk felt ved bruk. Under enkelte omstendigheter kan dette feltet forstyrre aktive eller passive medisinske implantater. For å redusere risikoen for alvorlig eller dødelig skade, anbefaler vi at personer med medisinske implantater konsulterer lege og produsenten av det medisinske implantatet før de bruker denne maskinen.

MONTERING

Før arbeid på maskinen (f.eks. vedlikehold, verktøyskifte osv.), samt under transport og lagring, sett bryteren for rotasjonsretning i senterposisjon. Utsiktet aktivering av utløseren kan føre til skader.

Lading av din skrutrekker

Les først sikkerhetsinstruksjonene, og følg deretter ladeinstruksjonene.

Koble den ene enden av USB-C-kabelen til USB-C-porten (bilde 2) (A) i skrutrekkeren.

Koble deretter den andre enden av USB-kabelen til en USB-lader eller et USB-uttak som kan gi tilstrekkelig strøm til å lade skrutrekkeren. Kontroller at det ikke finnes knuter eller skarpe bøyninger på kabelen.

Når skrutrekkeren er koblet til strømforsyningen med en USB-C-kabel, lyser tre dioder på skrutrekkeren (bilde 2) (B) for å indikere ladestatus:

- Pulserende lys – lading pågår
- Konstant lys – lading fullført

Hvis skrutrekkerens batteri er fulladet og skrutrekkeren forblir

koblet til strømforsyningen, vil diodene fortsette å lyse. Under normale bruksforhold kan skrutrekkeren lades flere hundre ganger.

VÆR OPPMERKSOM! Lading genererer varme i batteriet. Det anbefales ikke å lade opp batteriet i temperaturer under frysepunktet. Batteriet blir gradvis utladet over tid, også selv om verktøyet ikke brukes.

MERK! Batteriet som følger med skrutrekkeren, er kun ladet opp for test av produktet og det må fullades før bruk.

Litium-ion-batteriet er beskyttet mot fullstendig utlading av ECP-batteribeskyttelse. Når batteriet er tomt slås verktøyet av ved hjelp av et beskyttelsesekretsløp, og bor som er satt i skrutrekker/drillen slutter å rotere.



ADVARSEL Ikke fortsett å trykke på på-/avknappen etter at maskinen automatisk har slått seg av. Dette kan skade batteriet.



ADVARSEL! Batteriet må kun lades opp på en ikke-brennbar overflate. Batteriet må ikke lades opp i mer enn 8 timer.

BRUKERINSTRUKSJONER

Denne trådløse skrutrekkeren kan brukes med skrubits av ulike typer og lengder som har sekskantskaft med 6,35 mm (1/4") flatsider.

Sette inn skrubits (ill. 3)

Velg riktig skrubits for for de aktuelle skruene. Stikk skrubitsen inn i skrutrekkeren til den sitter fast på plass.

Merk: Det anbefales alltid å bore et styrehull når man skrur inn skruer med dette produktet.

Slå PÅ og AV

For å skru i skruer, trykk på PÅ / AV-bryteren (3). Hvis du slipper PÅ/AV-bryteren, stopper skrutrekkeren. For å fjerne skruen og endre rotasjonsretningen, trykker du på rotasjonsretningsbryteren (7).

Automatisk låsing av spindel

Verktøyets spindel låses automatisk når verktøyet slås av. Dette gjør det mulig å bruke skrutrekkeren som et manuelt verktøy.

Magnetisk bitholder

Du kan plassere bits du bruker for øyeblikket på den magnetiske bitholderen (5) på toppen av skrutrekkeren for å ha dem tilgjengelig mens du jobber.

LED-arbeidslys

Skrutrekkeren har et LED-arbeidslys for å lyse opp arbeidsområdet. LED-arbeidslyset lyser hver gang utløserbryteren klemmes inn og slås deretter av når utløserbryteren slippes.

Vedlikehold og rengjøring

Hold skrutrekkeren ren og tørr, så den fungerer godt og sikkert. Tørk av skrutrekkeren med en myk, fuktig klut ved behov. Bruk ikke rengjørings- eller løsemidler.

Hold elektroverktøyet og dets ventilasjonsåpninger rene for godt og sikkert arbeid.

Dette produktet er beregnet på privat bruk i hjemmet, ikke for kommersielle eller kvalifiserte målinger utført av fagfolk.

Ta vare på denne bruksanvisningen for fremtidig bruk.

Produsent: IKEA of Sweden AB

Adresse: Box 702, SE-343 81 Älmhult, SVERIGE



Batterier og oppladbare batterier skal ikke kastes sammen med husholdningsavfall! Som forbruker er du pålagt ved lov å avhende alle batterier, uansett om de inneholder skadelige stoffer* eller ikke, på et innsamlingssted kommunen/neighborhoodet der du bor eller via en butikk som samler inn brukte batterier, slik at de kan kastes på en miljømessig forsvarlig måte.

* merket med: Cd = kadmium, Hg = kvikksølv, Pb = bly



Symbolet viser en søppeldunk med et kryss over. Dette betyr at produktet ikke skal kastes i søpla, men holdes atskilt fra husholdningsavfallet. Produktet skal leveres til resirkulering i henhold til lokale ordninger for kildesortering. Informasjon om løsningen i din kommune finner du på www.sortere.no. Ved å holde produktet atskilt fra ordinært husholdningsavfall, hjelper du med å unngå potensiell negativ virkning på menneskers helse og miljøet. For mer informasjon, vennligst kontakt nærmeste IKEA-varehus.

Suomi

TRIXIG- akkukäyttöinen ruuvinväännin 3.6 V

TEKNISET TIEDOT:

Malli: TRIXIG

Tyyppi: P2201

Jännite: 3.6 Vdc.

Akkutyyppe: 1.5 Ah/ 5.4Wh litiumioni

Latausaika: <300 minuuttia

Enimmäisvääntömomentti, kovat materiaalit: noin 5 Nm

Tyhjäkäynnin enimmäisnopeus: 200/min

Teräpidike: 6.35 mm (1/4)"

Värähtely (standardien EN 62841-1 ja EN 62841-2-2 mukaan):

Tärinäarvo: $a_n = 0.34 \text{ m/s}^2$, $K = 1.5 \text{ m/s}^2$.

Melu (standardin EN 62841-1 mukaan):

Äänenpainetaso $L_{pA} = 62 \text{ dB (A)}$, $K_{pA} = 5 \text{ dB (A)}$

Melutaso $L_{wA} = 70 \text{ dB (A)}$, $K_{wA} = 5 \text{ dB (A)}$

VAIN SISÄKÄYTTÖÖN.

Suosittelut latausarvot:

5.0 VDC/ 1.0-3.0 A (tyyppi C), latauslämpötila 0-50 °C

Tuotteen ominaisuudet

Esitettyjen tuotetoimintojen numerointi viittaa kuvasivun kuvaan nro 1.

1. Ruuvivääntimen päärunko
2. Ruuvivääntimen kärkipidike
3. ON/OFF-kytkin
4. USB-C-latausliitäntä
5. Magneettinen kärkipidike
6. LED-työvalo
7. Pyörimissuunnan kytkin
8. Virran tilan merkkivalo

HUOM!

USB-C-kaapeli ja USB-laturi eivät sisälly toimitukseen.

KÄYTTÖTARKOITUS

Tämä sähköllä toimiva akkukäyttöinen ruuvinväännin on tarkoitettu ruuvien ruuvaamiseen ja irrottamiseen.

Työkalua saa käyttää vain määritelyyn tarkoitukseen. Kaikki muut käyttö katsotaan vääriinkäytöksi.

YLEISIÄ TURVAOHJEITA

Sähkötyökalujen yleisiä turvallisuusohjeita



VAROITUS! Lue kaikki tämän sähkötyökalun mukana toimitetut turvallisuusvaroitukset, ohjeet, kuvat ja tekniset tiedot. Kaikkien alla lueteltujen ohjeiden laiminlyönti saattaa aiheuttaa sähköiskun, tulipalon ja/tai vakavan henkilövahingon.

Säilytä kaikki varoitukset ja ohjeet tulevaa käyttöä varten

Varoituksissa käytetty termi ”sähkötyökalu” tarkoittaa verkkovirtakäyttöistä (johdollista) sähkötyökalua tai akkukäyttöistä (johdotonta) sähkötyökalua.

Työskentelyalueen turvallisuus

- Pidä työskentelyalue siistinä ja huolehdi hyvästä valaistuksesta.** Sotkuisessa ja hämärässä ympäristössä onnettomuusriski on suurempi.
- Älä käytä laitetta ympäristössä, jossa on räjähdys- tai syttymisvaara, esimerkiksi helposti syttyvien nesteiden tai kaasun läheisyydessä tai pölyisessä tilassa.** Laitetta käytettäessä syntyy kipinöitä, jotka voivat sytyttää nesteen, kaasun tai pölyn.
- Rauhoita työskentelyalue muilta ihmisiltä, etenkin lapsilta.** Keskeytykset tai huomion kiinnittyminen muualle voivat saada sinut menettämään laitteen hallinnan.

Sähköturvallisuus

- Laitteen pistotulpan on aina sovittava pistorasiaan. Älä koskaan muuntele pistotulppaa millään tavalla.** Älä käytä maadoitetun laitteen kanssa muunnoskappaletta, jonka tarkoituksena on muuttaa maadoitettu pistorasia maadoittamattomaksi tai päinvastoin. Muuntelemattomat pistotulpat ja niiden kanssa yhteensopivat pistorasiat pienentävät sähköiskuvaaraa.
- Laitetta käyttäessäsi vältä koskettamasta maadoitettuja esineitä, esimerkiksi putkia, lämpöpattereita, liettä tai jääkaappia.** Jos kehosi on kosketuksissa maadoitettuun esineeseen, sähköiskuvaara kasvaa.
- Älä altista laitetta sateelle tai muuten märille olosuhteille.** Laitteen sisään päästessään vesi aiheuttaa sähköiskuvaaran.
- Huolehdi, että laitteen johto pysyy kunnossa. Älä koskaan kannu laitetta johdosta äläkä irrota laitetta pistorasiasta johdosta vetämällä.** Suojaa johto kuumuudelta, öljyltä, teräviltä reunoilta ja liikkuvilta osilta. Vahingoittunut tai sotkeutunut johto kasvattaa sähköiskuvaaraa.
- Jos käytät laitetta ulkotiloissa, varmista, että jatkojohto soveltuu ulkokäyttöön.** Näin vähennät sähköiskuvaaraa.
- Jos laitetta on pakko käyttää kosteissa tiloissa, käytä vikavirtasuojakytkintä.** Näin vähennät sähköiskuvaaraa.

Henkilökohtainen turvallisuus

- a. **Pysy tarkkaavaisena, keskity siihen, mitä olet tekemässä, ja pidä maalaisjärki mukana käyttäessäsi laitetta.** Älä käytä laitetta väsyneenä tai lääkkeiden tai alkoholin vaikutuksen alaisena. Tarkkaavaisuuden hetkellinenkin herpaantuminen laitetta käytettäessä voi johtaa vakavaan onnettomuuteen.
- b. **Käytä henkilönsuojaimia. Käytä aina suojalaseja.** Asianmukaisesti käytettyinä henkilönsuojaimet kuten hengityssuojain, luistamattomat turvakengät, kypärä ja kuulosuojaimet vähentävät loukkaantumiseriskää.
- c. **Huolehdi, ettei laite pääse käynnistymään vahingossa. Varmista, että laitteen virta on kytketty pois päältä ennen kuin laitat pistotulpan pistorasiaan ja/tai laitat akun paikoilleen tai kun kannat laitetta.** Älä kanna laitetta siten, että sormesi on virtakytkimellä, äläkä laita pistotulppaa pistorasiaan, jos virtakytkin on painettu alas.
- d. **Ennen laitteen käynnistämistä varmista, ettei laitteessa ole kiinni jakoavainta, ruuvimeisseliä tai muuta irrallista työkalua.** Laitteen pyöriässä osassa kiinni oleva työkalu voi aiheuttaa onnettomuuden.
- e. **Älä kurkottele käyttäessäsi laitetta. Pidä molemmat jalkasi maassa ja huolehdi hyvästä tasapainosta koko ajan.** Näin pystyt hallitsemaan laitetta paremmin, jos jotakin odottamatonta tapahtuu.
- f. **Pukeudu asianmukaisesti. Vältä löysien vaatteiden ja korujen käyttöä.** Pidä hiuksesi, vaatteesi ja suojakäsineesi kaukana laitteen liikkuvista osista, jotta ne eivät takerru kiinni mihinkään.
- g. **Jos laitteessa on toiminto tai sen mukana tulee lisävaruste, joka kerää porattaessa syntyvän pölyn talteen, käytä toimintoa/lisävarustetta.** Näin voit pienentää pölyn aiheuttamien riskien määrää.
- h. **Älä anna laitteen käyttöön tottumisen johtaa huolettomuuteen ja turvallisuusperiaatteiden laiminlyöntiin.** Huolimaton toiminta voi johtaa vakavaan loukkaantumiseen sekunnin murto-osassa.

Laitteen käyttö ja huolto

- a. **Älä ylikuormita laitetta.** Valitse työkalu kulloisenkin työtehtävän mukaan, niin työ sujuu helpommin ja turvallisemmin.
- b. **Älä käytä laitetta, jos sitä ei voi käynnistää ja sammuttaa virtakytkimestä.** Laitte, jonka virtakytkin ei toimi normaalisti, on vaarallinen ja täytyy korjata.
- c. **Irrota aina pistotulppa pistorasiasta ja/tai laitteen akku säilytyksen ajaksi ja kun aiot säätää laitetta tai vaihtaa siihen työkalun.** Kun toimit näin, riski, että laite käynnistyy odottamatta, pienenee.
- d. **Säilytä laite lasten ulottumattomissa äläkä anna laitetta kokemattoman tai näihin ohjeisiin tutustumattoman henkilön käyttöön.** Osaamattomissa käsissä laite voi olla vaarallinen.
- e. **Pidä laitteesta hyvää huolta. Tarkasta laitteen kunto säännöllisesti ja jos huomaat sen vahingoittuneen, korjauta se ennen seuraavaa käyttökertaa.** Huonokuntoinen laite voi aiheuttaa onnettomuuden.
- f. **Pidä terät puhtaina ja terävinä.** Asianmukaisesti hoidetut laitteet, joiden terät ovat terävät, toimivat tehokkaimmin ja ovat helpoimpia kontrolloida.
- g. **Huolla laitetta, sen teriä ja muita osia näiden ohjeiden mukaisesti ja laitteen tyyppi huomioiden.** Valitse laite työn ja olosuhteiden mukaan. Laitteen käyttö muuhun kuin mihin se on tarkoitettu voi aiheuttaa vaaratilanteen.

- h. **Pidä kädensijat ja tarttumapinnat kuivina, puhtaina, öljyttöminä ja rasvattomina.** Liukkaat kädensijat ja tarttumapinnat vaarantavat laitteen turvallisen käytön ottamattomissa tilanteissa.

Akkukäyttöisen laitteen käyttö ja huolto

- a. **Lataa akku vain valmistajan suosittelemalla laturilla.** Vääränlainen laturi voi aiheuttaa tulipalovaaran.
- b. **Käytä laitteessa ainoastaan kyseiseen laitteeseen tarkoitettua akkua.** Vääränlaisen akun käyttö saattaa aiheuttaa loukkaantumis- ja tulipalovaaran.
- c. **Silloin kun akku ei ole käytössä, säilytä se kaukana metalliesineistä, kuten paperiliittimistä, kolikoista, avaimista, neuloista ja ruuveista, jotka saattavat saada akun navat oikosulkuun.** Oikosulku voi aiheuttaa palovammoja tai tulipalovaaran.
- d. **Jos akkuun kohdistuu kova isku, siitä saattaa vuotaa nestettä. Älä koske akkunesteeseen paljain käsin. Jos akkunestettä joutuu iholle, huuhtelee runsaalla vedellä.** Jos akkunestettä joutuu silmiin, hakeudu lääkäriin. Akkuneste voi aiheuttaa ihoärsytystä tai palovammoja.
- e. **Älä käytä akkupakettia tai työkalua, joka on vaurioitunut tai jota on muutettu.** Vaurioituneet tai muutetut akut voivat käyttäytyä arvaamattomasti, mistä voi olla seurauksena tulipalo, räjähdys tai henkilövahingon vaara.
- f. **Älä altista akkupakettia tai työkalua avotulelle tai liian korkeille lämpötiloille.** Altistuminen avotulelle tai yli 130 °C:n lämpötiloille voi aiheuttaa räjähdyksen.
- g. **Noudata kaikkia latausohjeita äläkä lataa akkupakettia tai työkalua ohjeissa määritellyn lämpötila-alueen ulkopuolella.** Virheellinen lataus tai lataus määritellyn alueen ulkopuolisissa lämpötiloissa saattaa vahingoittaa akkua ja lisätä tulipalon vaaraa.

Huolto

- a. **Anna valtuutetun huoltoliikkeen korjata laite valmistajan alkuperäisvaraosilla.** Näin varmistat, että voit jatkossakin käyttää laitetta turvallisesti.
- b. **Älä koskaan huolla vaurioituneita akkupaketteja.** Akkupaketteja saa huoltaa vain valmistaja tai valtuutetut huoltopalveluntarjoajat.

LAITEKOHTAISTA TURVALLISUUSTIETOA

Poriin ja ruuvinvääntimiin liittyviä turvaohjeita

Pidä kiinni sähkötyökalun eristetyistä otepinnoista, kun suoritat toimenpidettä, jossa leikkausvälineet tai kiinnikkeet voivat koskettaa piilossa olevia johtoja. Jännitteisen johdon kanssa kosketuksiin joutuvat kiinnikkeet voivat tehdä sähkötyökalun paljaista metalliosista johtavia ja aiheuttaa käyttäjälle sähköiskun

Käytä asianmukaista rakenneilmiasinta tai pyydä ammattilaiselta apua työskentelyalueella mahdollisesti kulkevien kaapelointien ja/tai putkien määrittämiseksi. Sähköjohtoon poraaminen voi aiheuttaa tulipalon tai sähköiskun vaaran. Kaasuputkeen poraaminen voi aiheuttaa räjähdyksen. Vesiputken lävistäminen aiheuttaa vahinkoja kiinteistölle ja saattaa aiheuttaa sähköiskuvaaran.

Sammuta sähkötyökalu heti, kun se jumittuu tai tarttuu kiinni. Varaudu suureen reaktiomomenttiin ja sen aiheuttamaan takaiskuun. Työkalu jumittuu, kun:

- sähkötyökalu ylikuormittuu
- tai se kiilautuu työkappaleeseen.

Pidä laitteesta tukevasti kiinni. Ruuveja kiristettäessä ja löysättäessä laite voi aiheuttaa hetkellisesti suurenkin vastaväännön.

Varmista työskentelyalueen turvallisuus. Työstettävä kappale kannattaa kiinnittää puristimilla tai ruuvipenkkiin, jolloin työskentely on turvallisempaa kuin jos kappaletta pitää kädessä.

Pidä työskentelyalue puhtaana. Eri materiaalien sekoittuminen saattaa olla erityisen vaarallista. Kevytmetallipöly saattaa syttyä palamaan tai räjähtää.

Odota, että laite on pysähtynyt, ennen kuin lasket sen kädestäsi. Laitteessa kiinni oleva terä/kärki saattaa jumittua ja aiheuttaa laitteen hallinnan menetyksen.

Estä laitteen tahaton käynnistyminen. Varmista ennen akun laittamista paikoilleen, että virtakytkin ei ole painettuna pohjaan. Laitteen kantaminen sormi virtakytkimellä tai akun laittaminen paikoilleen laitteeseen, jonka virtakytkin on pohjassa, saattaa aiheuttaa onnettomuusvaaran.

Akkulatureihin liittyviä turvallisuusohjeita



Vain sisäkäyttöön.

Säilytä laturi suojassa sateelta ja kosteudelta. Veden pääseminen laturin sisään lisää sähköiskun vaaraa.

Lataa laturilla ainoastaan sillä ladattavaksi tarkoitettuja akkuja. Laturi soveltuu ainoastaan laitteen mukana tulevan akun lataamiseen. Muunlaisten akkujen lataaminen laturissa voi aiheuttaa tulipalo- ja räjähdysvaaran.

Huolehdi, että laturi on puhdas. Lika saattaa aiheuttaa sähköiskuvaaran.

Tarkista aina ennen laturin käyttöä, että laturi, johto ja liitin ovat kunnossa. Jos havaitset vaurioita, älä käytä laturia. Älä avaa laturia. Laturin saa korjata ainoastaan ammattitaitoinen henkilö. Vaurioitunut laturi, johto tai liitin lisää sähköiskun vaaraa.

Älä sijoita laturia helposti syttyvälle alustalle (esim. paperien tai tekstiilien päälle) tai helposti syttyvään paikkaan. Laturi kuumenee latauksen aikana, mikä voi aiheuttaa tulipalovaaran.

Lapsia tulee valvoa, jotta he eivät pääse leikkimään laturilla.

TÄRINÄ- JA MELUTIEDOT

Tärinä- ja melutaso

Tässä käyttöohjeessa ilmoitettu tärinä- ja melupäästötaso on mitattu standardin EN 62841 mukaisella testillä. Sitä voidaan käyttää työkalujen vertailuun ja alustavana arviona tärinä- ja melualtistuksesta, kun työkalua käytetään tässä oppaassa ilmoitetuissa käyttökohteissa. Työkalun käyttäminen muissa käyttökohteissa tai erilaisten tai puutteellisesti huollettujen lisävarusteiden kanssa voi kuitenkin lisätä altistustasoa merkittävästi.

Tärinä- ja melualtistuksen tason arvioinnissa olisi otettava huomioon myös ajat, jolloin työkalu on sammutettuna tai kun se on käynnissä, mutta sitä ei käytetä, koska tämä voi merkittävästi alentaa altistustasoa koko työaikana. Suojaudu tärinän ja melun vaikutuksilta huoltamalla työkalua ja sen lisävarusteita, pitämällä kätesi lämpiminä ja suunnittelemalla työsi.

Muut riskit

Vaikka sähkötyökalua käytettäisiin ohjeiden mukaisesti, kaikkia muita riskitekijöitä ei ole mahdollista poistaa. Sähkötyökalun rakenteeseen ja suunnitteluun voi liittyä seuraavia vaaroja:



Keuhkovauriot, jos ei käytetä tehokasta hengityssuojainta.



Kuulovauriot, jos ei käytetä tehokkaita kuulonsuojaimia.



Tärinästä johtuvat terveyshaitat, jos sähkötyökalua käytetään pitkiä aikoja tai sitä ei käsitellä ja huolleta asianmukaisesti.



VAROITUS! Tämä sähkötyökalu muodostaa sähkömagneettisen kentän käytön aikana. Joissakin olosuhteissa tämä kenttä voi häiritä aktiivisia tai passiivisia lääkinnällisiä implantteja. Vakavan tai kuolemaan johtavan henkilövahingon riskin vähentämiseksi suosittelemme henkilöitä, joilla on lääkinnällisiä implantteja, ottamaan yhteyttä lääkäriinsä ja implantin valmistajaan ennen tämän koneen käyttöä.

KOKOAMINEN

Aseta kiertosuuntakytkin keskiasentoon ennen työkoneneen käyttöä (esim. huollon, työkalun vaihdon jne. ajaksi) sekä kuljetuksen ja varastoinnin ajaksi. Liipaisinkytkimen tahaton aktivointi voi aiheuttaa vammoja.

Ruuvinvääntimen lataaminen

Lue ensin turvallisuusohjeet ja noudata sitten latausohjeita.

Liitä USB-C-kaapelin pää akkuvääntimen USB-C-porttiin (kuva 2) (A). Liitä sitten USB-kaapelin toinen pää USB-laturiin tai USB-pistorasiaan, joka antaa riittävästi virtaa akkuvääntimen lataamiseen. Varmista, ettei kaapelissa ole solmuja tai teräviä taitoksia. Kun akkuvääntimen on kytketty virransyöttöön USB-C-kaapelilla, kolme diodia (kuva 2) (B) syttyy lataustilan merkiksi:

- Sykkivä valo – lataus käynnissä

- Palava valo – lataus valmis

Kun akkuvääntimen akku on ladattu täyteen ja se on edelleen kytkettynä virtalähteeseen, diodeissa palaa valo. Normaaleissa olosuhteissa akkuvääntimen voidaan ladata useita satoja kertoja.

HUOMIO! Latausprosessi tuottaa lämpöä. Akkua ei kannata ladata alle 0 asteen lämpötiloissa. Akun lataus vähenee tietyn ajan kuluessa, vaikka työkalua ei käytettäisi.

HUOMIO! Ruuvinvääntimen mukana toimitettua akkua on ladattu vain testausta ajatellen, joten se on ladattava täyteen ennen ensimmäistä käyttökertaa.

Kennoja suojaava ECP-tekniikka suojaa litiumioniakkua syväpurkautumiselta. Kun akku on tyhjä, suojakatkaisin katkaisee laitteesta virran ja käytössä oleva työkalu ei enää pyöri.



VAROITUS Älä jatka virtakytkimen painamista sen jälkeen, kun kone on sammunut automaattisesti. Akku voi vaurioitua.



VAROITUS! Lataa akkua syttymättömillä pinnoilla. Akkua voi ladata enintään kahdeksan tuntia kerralla.

KÄYTTÖOHJE

Käyttötarkoitus

Tähän perusakkuruuvinvääntimeen käyvät pituudeltaan ja tyypiltään erilaiset ruuvauskärjet, joissa on kuusikulmainen kanta halkaisijaltaan 6,35 mm (1/4").

Ruuvauskärjen paikalleen laittaminen (Kuva 3)

Valitse oikeanlainen ruuvauskärki ruuvin mukaan. Aseta kärki paikoilleen istukkaan ja varmista, että se on painettu kunnolla paikoilleen.

Huomaa: On suositeltavaa porata aina ensin esireikä ennen kuin ruuvaat ruuveja tällä ruuvinvääntimellä.

Kytkeminen päälle ja pois

Ruuvaamista varten paina ON/OFF-kytkintä (3). ON/OFF-kytkimen vapauttaminen pysäyttää akkuvääntimen. Jos haluat irrottaa ruuvin ja vaihtaa pyörimissuuntaa, paina pyörimissuunnan kytkintä (7).

Automaattisesti lukittuva istukka

Ruuvinvääntimen istukka lukittuu automaattisesti, kun virta katkaistaan. Tämän ansiosta ruuvinväännintä voi käyttää myös manuaalisena työkaluna.

Magneettinen teräpidike

Voit asettaa tarvitsemasi terät ruuvinvääntimen päällä olevaan magneettiteräpidikkeeseen (5), jotta ne pysyvät käden ulottuvilla työskentelyn aikana.

Työvalo

Ruuvinvääntimessä on sisäänrakennettu työvalo, joka valaisee työskentelyalueen. Työvalo syttyy aina, kun liipaisinkytkintä puristetaan, ja sammuu, kun liipaisinkytkin vapautetaan.

Huolto ja puhdistus

Pidä ruuvinväännin aina puhtaana ja kuivana, jotta se toimisi kunnolla ja turvallisesti. Pyyhi kaikki epäpuhtaudet pois pehmeällä kostealla liinalla. Älä käytä puhdistusaineita tai liuottimia.

Jotta työskentely olisi turvallista ja asianmukaista, pidä kone ja ilmanvaihtoaukot aina puhtaina.

Tämä tuote on tarkoitettu kotikäyttöön, ei kaupallisiin tai ammattimaisiin mittauksiin.

Säilytä tämä käyttöohje myöhempää tarvetta varten.

Valmistaja: IKEA of Sweden AB

Osoite: PL 702, SE-343 81 Älmhult, RUOTSI



Akut ja ladattavat akut eivät ole kotitalousjätettä! Kuluttajana sinun on lain mukaan hävitettävä kaikki paristot ja akut riippumatta siitä, sisältävätkö ne haitallisia aineita* vai eivät, kuntasi/asuinalueesi keräyspisteessä tai akkujen hävittämistä tarjoavan kaupallisen yrityksen kautta, jotta ne voidaan hävittää ympäristön kannalta hyväksyttävällä tavalla.

* merkitty: Cd = kadmium, Hg = elohopea, Pb = lyijy



Rastitettu jäteastiasymboli ilmaisee, että tuotetta ei saa hävittää kotitalousjätteen joukossa. Kun hävität tuotteen, vie se asianmukaiseen keräys- tai kierrätyspisteeseen. Huolehtimalla tällä merkillä varustetun laitteen asianmukaisesti kierrätykseen vähennät kaatopaikalle päätyvän jätteen määrää ja mahdollisia ympäristölle ja terveydelle aiheuttuvia haittoja. Lisätietoja lähimmästä IKEA-tavaratalosta.

Svenska

TRIXIX sladdlös skruvdragare 3.6V

TEKNISKA SPECIFIKATIONER

Modell: TRIXIG

Typ: P2201

Spänning: 3.6 Vdc.

Batterityp: 1.5 Ah/ 5.4Wh Lithium-Ion

Laddningstid: <300 min

Max. hårt vridmoment: ca 5 Nm

Max. obelastad hastighet: 200/min

Hållare för bits: 6.35 mm (1/4")

Vibration (i enlighet med EN 62841-1, EN 62841-2-1):

Skruvdragning utan slag: $a_h = 0.34 \text{ m/s}^2$, $K = 1.5 \text{ m/s}^2$.

Ljud (i enlighet med EN 62841-1):

Ljudtrycksnivå $L_{pA} = 62 \text{ dB (A)}$, $K_{pA} = 5 \text{ dB (A)}$

Ljudeffektsnivå $L_{wA} = 70 \text{ dB (A)}$, $K_{wA} = 5 \text{ dB (A)}$

ENDAST FÖR INOMHUSBruk.

Rekommenderad laddningsspänning:

5.0 V likström/ 1.0–3.0 A (typ C), laddningstemperatur 0–50 °C

Produktens funktioner

Numreringen av de visade produktfunktionerna hänvisar till illustration nr 1 på den grafiska sidan.

1. Skruvdragare huvudkropp
2. Skruvdragare bitshållare
3. PÅ/AV-knapp
4. USB-C laddningsuttag
5. Magnetisk bitshållare
6. LED-arbetsbelysning
7. Omkopplare för rotationsriktning
8. LED strömindikator

OBS!

USB-C-kabel och USB-laddare ingår inte.

ANVÄNDNINGSSOMRÅDEN

Den elektriska skruvdragaren är avsedd för montering och demontering av skruvar. Verktyget ska endast användas för sitt föreskrivna syfte. All annan användning anses vara missbruk.

ALLMÄNNA SÄKERHETSFÖRESKRIFTER

Allmänna säkerhetsföreskrifter för elverktyg



WARNING! Läs alla säkerhetsvarningar, instruktioner, illustrationer och specifikationer som medföljer detta elverktyg. Underlåtenhet att följa alla instruktioner som anges nedan kan leda till elektriska stötar, brand och/eller allvarliga personskador.

Spara alla varningar och instruktioner för framtida referens

Termen "elverktyg" i varningarna avser ditt nätdrivna (sladdade) elverktyg eller batteridrivna (sladdlösa) elverktyg.

Säkerhet i arbetsområdet

- Håll arbetsområdet rent och väl upplyst.** Stökiga och mörka arbetsområden kan leda till olyckor.
- Använd inte elverktyg i explosionsfarlig omgivning med brännbara vätskor, gaser eller damm.** Elverktygen alstrar gnistor som kan antända dammet eller gaserna.
- Håll barn och andra obehöriga borta då du använder ett elverktyg.** Störningar kan leda till att du tappar kontrollen över verktyget.

Elektrisk säkerhet

- Elverktygets kontakt måste passa vägguttaget. Ändra aldrig kontakten på något sätt. Använd inte adapterkontakter med jordade elverktyg.** Oförändrade kontakter och passande vägguttag minskar risken för elstötar.
- Undvik kroppskontakt med jordade ytor som t.ex. rör, värmeelement, spisar och kylskåp.** Det finns en större risk för elstötar om din kropp är jordad.
- Skydda elverktyget mot regn och väta.** Tränger vatten in i ett elverktyg ökar risken för elstötar.
- Använd nätsladden på ett korrekt sätt. Använd den inte för att bära eller hänga upp elverktyget eller för att dra kontakten ur vägguttaget.** Håll nätsladden på avstånd från värme, olja, skarpa kanter och rörliga maskindelar. Skadade eller tilltrasslade ledningar ökar risken för elstötar.
- När du arbetar med ett elverktyg utomhus använd endast förlängningssladdar som är avsedda för utomhusbruk.** Om en lämplig förlängningssladd för utomhusbruk används minskar risken för elstötar.
- Om du måste använda elverktyget i en fuktig miljö, använd ett felströmsskydd/jordfelsbrytare.** Felströmsskyddet/jordfelsbrytaren minskar risken för elstötar.

Personlig säkerhet

- Var uppmärksam, kontrollera vad du gör och använd elverktyg med förnuft. Använd inte ett elverktyg när du är trött eller om du är påverkad av droger, alkohol eller mediciner.** Ett ögonblick av ouppmärksamhet kan leda till allvarliga kroppsskador när du använder elverktyg.

- b. **Använd personlig skyddsutrustning. Bär alltid skyddsglasögon.** Lämplig skyddsutrustning som t.ex. dammfiltermask, halkfria säkerhetsskor, skyddshjälm och hörselskydd minskar risken för kroppsskada.
- c. **Undvik oavsiktlig igångsättning. Kontrollera att elverktuget är frånkopplat innan du ansluter kontakten till vägguttaget och/eller ansluter/tar bort batteriet, tar upp eller bär elverktuget.** Att bära elverktuget med fingret på strömställaren eller ansluta påkopplat elverktyg till nätströmmen kan leda till olyckor.
- d. **Ta bort alla inställningsverktyg och skruvnycklar innan du kopplar på elverktuget.** Ett verktyg eller en nyckel som lämnas kvar i en roterande komponent kan medföra kroppsskada.
- e. **Undvik onormala kroppsställningar. Se till att du alltid står stadigt med god balans.** Det gör att du lättare kan kontrollera elverktuget i oväntade situationer.
- f. **Bär lämpliga arbetskläder. Bär inte löst hängande kläder eller smycken. Håll håret, kläderna och handskarna på avstånd från rörliga delar.** Löst hängande kläder, långt hår och smycken kan fastna i roterande delar.
- g. **Om elverktuget används med utrustning för dammutsugning och dammupsamling, se till att den monteras och används korrekt.** Användning av denna utrustning minskar de risker damm orsakar.
- h. **Låt inte erfarenhet från frekvent användning av verktyg göra att du blir ovarsam och ignorerar principer för verktygs säkerhet.** En vårdslös åtgärd kan orsaka allvarlig skada inom en bråkdel av en sekund.

Elverktyg - användning och skötsel

- a. **Överbelasta inte elverktuget. Använd korrekt elverktyg för den aktuella arbetsuppgiften.** Med rätt elverktyg kan du arbeta bättre och säkrare inom angivet slagtal.
- b. **Använd inte elverktuget om inte På/Av-knappen fungerar.** Elverktyg som inte kan styras med knappen är farligt och måste repareras.
- c. **Dra kontakten ur vägguttaget och/eller ta bort batteriet innan inställningar utförs, tillbehörsdelar byts ut eller när elverktuget ska förvaras.** Denna skyddsåtgärd minskar risken för att elverktuget sätts på av misstag.
- d. **Förvara elverktyg oåtkomliga för barn. Tillåt inte personer som inte är förtrogna med elverktuget eller inte läst denna anvisning använda det.** Elverktygen är farliga om de används av oerfarna personer.
- e. **Underhåll elverktuget omsorgsfullt. Kontrollera att rörliga komponenter inte är obalanserade eller kärvar. Se till att komponenter inte skadats eller andra förhållanden uppstår som kan påverka elverktugets funktioner negativt.** Reparera eventuella skadade delar innan elverktuget tas i bruk. Många olyckor orsakas av dåligt skötta elverktyg.
- f. **Håll skärverktygen skarpa och rena.** Omsorgsfullt skötta skärverktyg med skarpa eggar löper mindre risk att kärva och är enklare att styra.
- g. **Använd elverktuget, tillbehör, insatsverktyg, etc., enligt dessa anvisningar och på avsett vis. Ta hänsyn till arbetsförhållandena och det arbete som ska utföras.** Om elverktuget används på ett sätt som det inte är avsett för kan fara uppstå.
- h. **Håll handtag och greppytor torra, rena och fria från olja och fett.** Hala handtag och greppytor tillåter inte säker hantering och kontroll av verktyg i oväntade situationer.

Batteriverktyg - användning och skötsel

- a. **Ladda batterierna enbart med den laddare som tillverkaren anvisat.** En laddare som är avsedd för en typ av batterier kan orsaka brandrisk om den används med andra batterier.
- b. **Använd elverktyg enbart med särskilt avsedda batterier.** Användning av andra batterier kan orsaka skade- och brandrisk.
- c. **När batterierna inte används håll dem borta från andra metallföremål, som gem, mynt, nycklar, spikar, skruvar och andra små metallföremål som kan skapa kontakt mellan två elektriska poler.** Kortslutning av batteripolerna kan orsaka brännskador och eldsvådor.
- d. **Om batteriet används på fel sätt finns risk för att vätska rinner ur batteriet. Undvik kontakt med vätskan.** Vid oavsiktlig kontakt spola med vatten. Om vätska kommer i kontakt med ögonen uppsök dessutom läkare. Batterivätskan kan medföra hudirritation och brännskada.
- e. **Använd inte ett batteripack eller verktyg som är skadat eller modifierat.** Skadade eller modifierade batterier kan uppvisa oförutsägbart beteende, vilket kan leda till brand, explosion eller risk för personskada.
- f. **Utsätt inte ett batteripack eller verktyg för brand eller för höga temperaturer.** Exponering för brand eller en temperatur över 130 °C kan orsaka en explosion.
- g. **Följ alla laddningsinstruktioner och ladda inte batteriet eller verktyget utanför det temperaturområde som anges i instruktionerna.** Felaktig laddning eller temperaturer utanför det angivna intervallet kan skada batteriet och öka risken för brand.

Service

- a. **Låt endast kvalificerad fackpersonal reparera elverktyget och endast med originalreservdelar.**
Detta garanterar att elverktygets säkerhet upprätthålls.
- b. **Utför aldrig service på skadade batteripack.** Service av batteripack bör endast utföras av tillverkaren eller auktoriserade serviceleverantörer.

MASKINSPECIFIKA SÄKERHETSANVISNINGAR

Säkerhetsvarningar för borr

Håll elverktyget vid de isolerade greppytorna när du utför ett arbete där fästet kan komma i kontakt med dolda ledningar. Fästelement som kommer i kontakt med en "strömförande" tråd kan göra exponerade metalldelar i elverktyget ledande och ge användaren en elektrisk stöt.

Använd lämpliga detektorer för lokalisering av dolda försörjningsledningar eller rådfråga ditt lokala distributionsföretag. Kontakt med elledningar kan förorsaka brand och elstöt. Skador på en gasledning kan leda till explosion. Borrning i vattenledning riskerar att orsaka skador på fastigheten och ge en elstöt.

Stäng av elverktyget omedelbart när verktyget blockeras eller fastnar. Var beredd på högt reaktionsmoment som kan orsaka kickback. Verktyget blockeras när:

- elverktyget utsätts för överbelastning
- det fastnar i arbetsstycket.

Håll verktyget med ett fast grepp. Kortvariga höga reaktionsmoment kan uppstå när du drar åt eller lossar skruvar.

Säkra arbetsstycket. Ett arbetsstycke som är fastspänt i en uppspänningsanordning eller ett skruvståd hålls säkrare än med handen.

Håll arbetsplatsen ren. Materialblandningar är särskilt farliga. Lättmetalldamn kan brinna och explodera.

Vänta tills elverktyget stannat helt innan du lägger ner det. Insatsverktyget kan haka upp sig och leda till att du förlorar kontrollen över elverktyget.

Undvik oavsiktlig igångsättning. Kontrollera att elverktyget är frånkopplat innan du sätter i batteriet. Att bära elverktyget med fingret på strömbrytaren eller att sätta i batteriet i elverktyg kan leda till olyckor.

Säkerhetsanvisning för laddare



Endast för inomhusbruk.

Skydda laddaren mot regn och väta. Tränger vatten in i laddaren ökar risken för en elektrisk stöt.

Ladda inte andra batterier. Batteriladdaren ska enbart användas för att ladda de batterier som följde med ditt elverktyg. I annat fall finns risk för eldsvåda och explosion.

Håll batteriladdaren ren. Nedsmutsning kan leda till risk för elstötar.

Kontrollera laddare, kabel och stickkontakt före varje användning. Använd inte laddaren om den är skadad. Du får själv aldrig öppna laddaren. Reparationer ska enbart utföras av kvalificerad fackman. Skadade laddare, ledningar eller stickkontakter ökar risken för elektrisk stöt.

Använd inte laddaren på lättantändligt underlag (som papper, textilier, etc.) eller i en lättantändlig omgivning. Upphettningen av laddaren vid laddning upp kan medföra brandrisk.

Barn ska hållas under uppsikt så att de inte leker med laddaren.

VIBRATIONS- OCH BULLERINFORMATION

Vibrationer och bullernivå

Vibrations- och bulleremissionsnivån som anges i denna bruksanvisning har mätts i enlighet med ett standardiserat test i EN 62841. Det kan användas för att jämföra ett verktyg med ett annat och som en preliminär bedömning av exponering för vibrationer och buller när du använder verktyget för de ändamål som nämns i denna bruksanvisning. Att använda verktyget för andra ändamål, eller med olika eller dåligt underhållna tillbehör, kan dock öka exponeringsnivån avsevärt.

En uppskattning av exponeringsnivån för vibrationer och buller bör också ta hänsyn till de tidpunkter då verktyget stängs av eller när det är i gång men inte används, eftersom detta avsevärt kan minska exponeringsnivån under den totala arbetsperioden. Skydda dig mot effekterna av vibrationer och buller genom att underhålla verktyget och dess tillbehör, hålla händerna varma och organisera ditt arbete.

Andra risker

Även när verktyget används som föreskrivet är det inte möjligt att eliminera alla andra riskfaktorer. Följande faror kan uppstå i samband med elverktygets konstruktion och design:



Skador på lungorna om en effektiv dammask inte bärs.



Hörselskador om effektiva hörselskydd inte bärs.



Hälsoskador till följd av vibrationer om elverktyget används under längre tid eller inte hanteras och underhålls på rätt sätt.



WARNING! Detta elverktyg producerar ett elektromagnetiskt fält under drift. Under vissa omständigheter kan detta fält störa aktiva eller passiva medicinska implantat. För att minska risken för allvarliga eller dödliga skador rekommenderar vi personer med medicinska implantat att konsultera sin läkare och tillverkaren av medicinska implantat innan de använder denna maskin.

MONTAGE

Innan åtgärder utförs på maskinen (t.ex. underhåll eller verktygsbyte) och under transport och förvaring, ska riktningssomkopplaren ställas i mittläget. Oavsiktlig aktivering av strömbrytaren kan leda till skador.

Ladda skruvdragaren

Anslut USB-C-kabeländen till USB-C-porten (bild 2) (A) i skruvdragaren. Anslut sedan den andra USB-kabeländen till en USB-laddare eller ett USB-uttag som kan ge tillräckligt med ström för att ladda skruvdragaren. Se till att det inte finns några knutar eller skarpa veck i kablarna.

När skruvdragaren är ansluten till elförsörjningen med en USB-C-kabel tänds tre dioder på skruvdragaren (bild 2) (B) för att indikera laddningsstatus:

- Pulserande ljus – laddning pågår
- Stadigt ljus – laddningen är klar

När skruvdragarens batteri är fulladdat och skruvdragaren förblir ansluten till strömförsörjningen förblir dioderna tända. Under normala användningsförhållanden kan skruvdragaren laddas flera hundra gånger.

WARNING! Laddningsprocessen genererar värme i batteriet. Det är inte lämpligt att ladda batteriet i köldgrader. Batteriet kommer att gradvis förlora sin laddning över tid även om verktyget inte används.

OBS! Batteriet som medföljer skruvdragaren har laddats endast för teständamål och måste laddas fullt innan det används för första gången.

Litiumjonbatteriet är skyddat mot djupurladdning genom "Electronic Cell Protection" (ECP). När batteriet är urladdat stängs elverktyget av genom en skyddskoppling. Insatsverktyget roterar inte längre.



WARNING! Fortsätt inte att trycka på På/Av-knappen efter att maskinen har stängts av automatiskt. Batteriet kan skadas.



WARNING! Ladda batteriet på ett icke-brännbart material. Ladda inte batteriet längre än åtta timmar.

ANVÄNDARINSTRUKTIONER

Användning

Det här är en enkel, sladdlös skruvdragare för olika typer av bits med sexkantigt skaft och en diameter på 6,35 mm (1/4 tum) mellan de plana sidorna.

Montering av bits (Bild 3)

Välj rätt bits för skruvarna som ska användas. För in bitsen i skruvdragarens hållare och tryck in den ända i botten.

OBS: Du bör alltid borra fästhål innan du drar i skruvar med skruvdragaren.

Slå PÅ och AV

För skruvdragning, tryck på PÅ/AV-omkopplaren (3). Om du släpper PÅ/AV-omkopplaren stoppas skruvdragaren. För skruvborttagning och för att ändra rotationsriktningen, tryck på rotationsriktningsomkopplaren (7).

Automatisk spärr för spindeln

Verktygets spindel spärras automatiskt när man stänger av verktyget. Det ger möjlighet att använda skruvdragaren som ett manuellt verktyg.

Magnetisk bitshållare

Du kan placera de bits du använder för närvarande på den magnetiska bitshållaren (5) ovanpå din skruvdragare för att ha dem i närheten medan du arbetar.

LED-arbetsbelysning

Skruvdragaren har inbyggd LED-arbetsbelysning för att lysa upp arbetsområdet. LED-arbetsbelysningen tänds varje gång strömbrytaren trycks in och släcks när strömbrytaren släpps.

Underhåll och rengöring

Håll alltid skruvdragaren ren och torr för att säkerställa korrekt och säker drift. Torka bort eventuell skräp med en mjuk trasa fuktad med vatten. Använd inga rengöringsmedel eller lösningsmedel.

För säker och korrekt användning håll alltid maskinen och ventilationsöppningar rena.

Denna produkt är avsedd att användas vid enstaka tillfällen i hemmet, inte för kommersiella eller kvalitativa mätningar utförda av yrkespersoner.

Spara denna bruksanvisning för framtida referens.

Tillverkare: IKEA of Sweden AB

Adress: Box 702, SE-343 81 Älmhult



Batterier och uppladdningsbara batterier är inte hushållsavfall! Som konsument är du enligt lag skyldig att kassera alla batterier och ackumulatörer, oavsett om de innehåller skadliga ämnen* eller inte, på ett insamlingsställe i din kommun/ditt närområde eller via en kommersiell enhet som erbjuder kassering av batterier så att de kan kasseras på ett miljövänligt sätt.

* märkt med: Cd = kadmium, Hg = kvicksilver, Pb = bly



Symbolet med den överkorsade soptunnan betyder att produkten ska kasseras separat från hushållsavfall. Produkten ska lämnas in för återvinning enligt lokala regler för avfallshantering. Genom att kassera en märkt produkt separat från hushållsavfallet bidrar du till att reducera mängden avfall som skickas till förbränning eller deponi och minimerar varje potentiell negativ påverkan på mänsklig hälsa och miljön. För mer information, vänligen kontakta ditt IKEA varuhus.

Deutsch

TRIXIG kabelloser Akkuschauber 3.6 V

TECHNISCHE DATEN

Modell: TRIXIG

Typ: P2201

Spannung: 3.6 Vdc.

Akkutyp: Lithium-Ionen-Akku 1.5 Ah/ 5.4Wh

Ladezeit: <300 Min.

Max. Drehmoment: ca. 5 Nm

Max. Leerlaufdrehzahl: 200/min

Bitaufnahme: 6.35 mm (1/4")

Vibration (in Übereinstimmung mit EN 62841-1, EN 62841-2-2):

Schrauben ohne Schlag: $a_h = 0.34 \text{ m/s}^2$, $K = 1.5 \text{ m/s}^2$.

Geräuschentwicklung (in Übereinstimmung mit EN 62841-1):

Schalldruckpegel $L_{pA} = 62 \text{ dB (A)}$, $K_{pA} = 5 \text{ dB (A)}$

Schalleistungspegel $L_{wA} = 70 \text{ dB (A)}$, $K_{wA} = 5 \text{ dB (A)}$

NUR FÜR DEN GEBRAUCH IM HAUS GEEIGNET.

Empfohlene Ladewerte:

5.0 V DC/ 1.0-3.0 A (Typ C), Ladetemperatur 0-50 °C

Produkteigenschaften

Die Nummerierung der abgebildeten Produktmerkmale bezieht sich auf die Abbildung Nr. 1 auf der Grafikseite.

1. Hauptkörper des Akkuschaubers
2. Bithalter am Akkuschauber
3. EIN-/AUS-Schalter
4. USB-C-Ladebuchse
5. Magnetischer Bithalter
6. LED-Arbeitslicht
7. Drehrichtungsschalter
8. LED-Statusanzeige der Stromversorgung

HINWEIS!

USB-C-Kabel und USB-Ladegerät sind nicht im Lieferumfang enthalten.

ANWENDUNGSBEREICHE

Der Akkuschauber ist für das Eindrehen und Herausdrehen von Schrauben bestimmt. Das Werkzeug darf nur für den bestimmungsgemäßen Zweck verwendet werden. Jede andere Nutzung gilt als nicht bestimmungsgemäß.

ALLGEMEINE SICHERHEITSHINWEISE

Allgemeine sicherheitshinweise



WARNUNG! Alle Sicherheitswarnungen, Hinweise, Abbildungen und Produktdaten, die diesem Elektrowerkzeug beiliegen, durchlesen und ansehen. Wenn die unten aufgeführten Hinweise nicht beachtet werden, besteht die Gefahr von Stromschlägen, Feuer und/oder schweren Verletzungen.

Alle Warnungen und Anleitungen zum späteren Nachschlagen aufbewahren.

Der Begriff „Elektrowerkzeug“ in den Warnhinweisen bezieht sich auf ein netzbetriebenes (kabelgebundenes) Elektrowerkzeug oder ein akkubetriebenes (kabelloses) Elektrowerkzeug.

Sicherheit im Arbeitsbereich

- a. **Arbeitsplatz sauber halten und für ausreichende Beleuchtung sorgen.**
Unordentliche und unzureichend beleuchtete Bereiche können zu Unfällen führen.
- b. **Elektrowerkzeug nicht in entzündlicher Atmosphäre wie in der Nähe von leicht entzündlichen Flüssigkeiten, Gasen oder Staub benutzen.** Elektrowerkzeuge verursachen Funken, die Staub oder Dämpfe entzünden können.
- c. **Darauf achten, dass sich Kinder und andere Unbeteiligte in sicherem Abstand vom Elektrowerkzeug befinden, während es benutzt wird.** Ablenkungen können dazu führen, dass man das Gerät nicht sicher führt.

Elektrosicherheit

- a. **Die Stecker des Elektrowerkzeugs müssen in die vorgesehene Steckdose passen. Der Stecker darf keinesfalls verändert werden. Zum Einsatz von geerdetem Elektrowerkzeug keinesfalls Adapteraufsätze verwenden.** Unveränderte Stecker und passende Steckdosen mindern das Stromschlagrisiko.
- b. **Körperkontakt mit geerdeten Oberflächen wie Rohren, Heizkörpern, Kühlschränken u.ä. vermeiden.** Das Risiko eines Stromschlags erhöht sich, wenn ein Körper geerdet ist.
- c. **Elektrowerkzeug vor Regen oder Feuchtigkeit schützen.** Wenn Wasser in das Elektrowerkzeug eindringt, erhöht sich das Stromschlagrisiko.
- d. **Das Netzkabel zweckdienlich einsetzen. Kabel keinesfalls zum Tragen, Aufhängen des Elektrowerkzeugs oder zum Herausziehen des Steckers aus der Steckdose benutzen. Kabel von Hitzequellen, Öl, scharfen Kanten oder beweglichen Teilen fernhalten.** Beschädigte oder verknottete Kabel erhöhen das Stromschlagrisiko.
- e. **Wird ein Elektrowerkzeug im Freien benutzt, muss das Verlängerungskabel für den Außengebrauch geeignet sein.** Benutzt man ein Kabel, das für den Gebrauch im Freien geeignet ist, mindert dies das Stromschlagrisiko.
- f. **Werkzeug immer in Verbindung mit einem Fehlerstromschutzschalter benutzen.** Dieser mindert das Stromschlagrisiko.

Persönliche Sicherheit

- a. **Bei der Benutzung eines Elektrowerkzeugs sollte man wachsam sein, sich auf die Tätigkeit konzentrieren und Vernunft walten lassen. Ein Elektrowerkzeug niemals im müden Zustand oder unter Einfluss von Drogen, Alkohol oder Medikamenten benutzen.** Ein Moment der Unaufmerksamkeit kann zu schweren Verletzungen führen.
- b. **Sicherheitsausrüstung verwenden und immer eine Schutzbrille tragen.** Der Einsatz von entsprechender Sicherheitsausrüstung wie Staubschutzmaske, rutschfester Sicherheitsschuhe, Schutzhelm oder Gehörschutz kann das Verletzungsrisiko mindern.
- c. **Versehentliche Inbetriebnahme vermeiden. Sicherstellen, dass der Schalter auf 'aus' steht, bevor das Gerät an die Steckdose angeschlossen wird.** Elektrowerkzeug mit dem Finger auf dem Anschaltknopf herumzutragen bzw. Stecker von eingeschalteten Geräten in die Steckdose zu stecken ist fahrlässig und kann zu Unfällen führen.
- d. **Verstell- oder Schraubenschlüssel vor Inbetriebnahme des Elektrowerkzeugs entfernen.** Ein am rotierenden Teil des Werkzeugs verbliebener Schlüssel kann zu Verletzungen führen.
- e. **Beim Gebrauch des Geräts nicht zu weit strecken. Auf sicheren Stand und ausbalanciertes Gleichgewicht achten.** So hat man in unerwarteten Situationen eine bessere Kontrolle über das Elektrowerkzeug.
- f. **Angemessene Kleidung ist wichtig. Keinesfalls lose herabhängende Kleidung oder Schmuck tragen.** Haar, Kleidung und Handschuhe von beweglichen Teilen fernhalten, da sie sich in ihnen verfangen könnten.
- g. **Wenn Geräte zum Absaugen und Sammeln von Staub zur Verfügung stehen, sollten diese sicher verbunden und korrekt eingesetzt werden.** Solche Geräte können die Unfallgefahr durch Staub mindern.
- h. **Lass dich nicht durch die bei häufigem Gebrauch des Werkzeugs erlangte Vertrautheit zu Unachtsamkeit verleiten und die Sicherheitsregeln außer Acht zu lassen.** Unvorsichtiges Handeln kann im Bruchteil einer Sekunde zu schweren Verletzungen führen.

Benutzung und Wartung von Elektrowerkzeugen

- a. **Das Elektrowerkzeug nicht überbelasten. Immer das passende Elektrowerkzeug für den jeweiligen Zweck benutzen.** Mit dem richtigen Werkzeug arbeitet man innerhalb der angegebenen Schlagzahl sicherer und besser.
- b. **Elektrowerkzeug nicht benutzen, wenn sich der Ein-/Ausschalter nicht betätigen lässt.** Ein Elektrowerkzeug, das sich nicht über einen Schalter ein- und ausschalten lässt, ist gefährlich und sollte repariert werden.
- c. **Vor Anpassungen, Austausch von Zubehör und vor dem Wegpacken des Elektrowerkzeugs immer den Stecker ziehen.** Diese vorbeugende Sicherheitsmaßnahme mindert das Risiko des versehentlichen Einschaltens.
- d. **Ungenutztes Elektrowerkzeug außer Reichweite von Kindern aufbewahren. Personen, die mit dem Elektrowerkzeug oder der Bedienungsanleitung nicht vertraut sind, die Benutzung des Geräts nicht gestatten.** In den Händen ungeübter Personen sind Elektrowerkzeuge gefährlich.
- e. **Das Elektrowerkzeug sorgfältig warten. Kontrollieren, dass bewegliche Teile richtig eingesetzt und festgezogen sind. Darauf achten, dass keine Teile beschädigt sind und nichts die Funktion des Geräts beeinträchtigt. Eventuelle Schäden vor der Benutzung des Elektrowerkzeugs reparieren lassen.** Viele Unfälle passieren durch schlecht gewartete Elektrowerkzeuge.

- f. **Schnittwerkzeug scharf und sauber halten.** Gut gepflegte Schneidewerkzeuge mit scharfen Klingen blockieren weniger leicht und sind leichter zu handhaben.
- g. **Das Elektrowerkzeug, Zubehör, Bits usw. entsprechend dieser Anleitung und der vorgesehenen Nutzung des jeweiligen Elektrowerkzeugs benutzen. Die Arbeitsbedingungen und die auszuführende Arbeit in Betracht ziehen.** Unsachgemäße Nutzung von Elektrowerkzeugen kann gefährlich sein.
- h. **Handgriffe und Greifflächen trocken, sauber und frei von Öl und Fett halten.** Rutschige Griffe und Oberflächen lassen in unerwarteten Situationen keine sichere Handhabung und Kontrolle über das Werkzeug zu.

Benutzung von Akku und Ladegerät

- a. **Nur das vom Hersteller ausgewiesene Ladegerät benutzen.** Ein Ladegerät, das sich für eine Art von Akku eignet, kann bei Verwendung mit einem anderen Akkutyp ein Brandrisiko darstellen.
- b. **Das Elektrowerkzeug nur mit den dafür bestimmten Akkus benutzen.** Die Benutzung anderer Akkus kann Schaden- und Brandrisiko darstellen.
- c. **Wenn die Akkus nicht benutzt werden, müssen sie von anderen Metallobjekten wie Büroklammern, Münzen, Schlüsseln, Nägeln oder anderen Metallkleinteilen ferngehalten werden, die die Batteriepole kurzschließen könnten.** Kurzschließen der Batteriepole kann zu Verbrennungen führen und stellt ein Brandrisiko dar.
- d. **Bei fehlerhafter Anwendung kann aus dem Akku Flüssigkeit austreten. Hautkontakt vermeiden. Bei Kontakt mit der Haut die betroffene Stellen sofort mit Wasser abspülen. Sofort einen Arzt aufsuchen, falls Akkuflüssigkeit ins Auge gerät.** Die Flüssigkeit aus den Akkus kann zu Hautreizungen und Verbrennungen führen.
- e. **Bei Beschädigung: Akkus und/oder Werkzeug nicht verwenden.** Beschädigte oder modifizierte Akkus können unvorhergesehen reagieren: Brand-, Explosions- oder Verletzungsgefahr!
- f. **Akku oder Werkzeug nicht Feuer oder sehr hohen Temperaturen aussetzen.** Bei Brandeinwirkung oder Temperaturen über 130 °C besteht Explosionsgefahr.
- g. **Alle Ladehinweise befolgen. Den Akku oder das Gerät nicht bei Temperaturen aufladen, die den in der Anleitung angegebenen Temperaturbereich über- bzw. unterschreiten.** Unsachgemäßes Laden oder Laden bei Temperaturen außerhalb des angegebenen Temperaturbereichs kann den Akku beschädigen und die Brandgefahr erhöhen.

Service

- a. **Elektrowerkzeug nur von einer Fachkraft unter Verwendung von Originalersatzteilen reparieren lassen.** Dies garantiert die Sicherheit des Elektrowerkzeugs.
- b. **Beschädigte Akkus auf keinen Fall reparieren.** Die Wartung/Reparatur von Akkus darf nur vom Hersteller oder von autorisierten Wartungs-/Reparaturdienstleistern durchgeführt werden.

MASCHINENSPEZIFISCHE SICHERHEITSHINWEISE

Sicherheitshinweise für den Bohrhammer

Bei Arbeiten, bei denen der Bithalter/das Spannfutter verdeckte Stromleitungen treffen kann, das Elektrowerkzeug an den isolierten Griffflächen halten. Achtung! Stromschlaggefahr für den Bediener. Bithalter/Spannfutter, die eine „stromführenden“ Stromleitung treffen, können freiliegende Metallteile des Elektrowerkzeugs leitfähig machen.

Geeignete Suchgeräte verwenden, um verborgene Versorgungsleitungen aufzuspüren bzw. die örtliche Versorgungsgesellschaft hinzuziehen. Kontakt mit Elektroleitungen kann zu Feuer und elektrischem Schlag führen. Beschädigung einer Gasleitung kann zur Explosion führen. Eindringen in eine Wasserleitung verursacht Sachbeschädigung oder kann einen elektrischen Schlag verursachen.

Das Elektrowerkzeug sofort ausschalten, wenn das Gerät blockiert oder stecken bleibt. Zu beachten! Hohes Reaktionsmoment, das zu Rückschlägen führen kann. Das Werkzeug blockiert in folgenden Fällen:

- bei Überlast
- wenn es sich im Werkstück verkeilt.

Das Elektrowerkzeug während des Gebrauchs fest mit beiden Händen greifen.

Beim Festziehen oder Lösen von Schrauben können kurzzeitig hohe Reaktionsmomente auftreten.

Das Werkstück sichern. Ein mit Spannvorrichtungen oder Schraubstock festgehaltenes Werkstück ist sicherer gehalten als mit der Hand.

Den Arbeitsplatz sauber halten. Materialmischungen sind besonders gefährlich. Leichtmetallstaub kann brennen oder explodieren.

Warten, bis das Elektrowerkzeug zum Stillstand gekommen ist, bevor es abgelegt wird. Das Einsatzwerkzeug kann sich verhaken; dies kann zum Verlust der Kontrolle über das Elektrowerkzeug führen.

Ein versehentliches Einschalten vermeiden. Man sollte sich vergewissern, dass der Schalter in ausgeschalteter Position ist, bevor ein Akku eingesetzt wird. Das Tragen des Elektrowerkzeugs mit dem Finger am Schalter oder das Einsetzen des Akkus in das eingeschaltete Elektrowerkzeug kann zu Unfällen führen.

Sicherheitshinweise für Ladegeräte



Nur für den Gebrauch im Haus geeignet.

Das Ladegerät von Regen oder Nässe fernhalten. Das Eindringen von Wasser in ein Ladegerät erhöht das Risiko eines elektrischen Schlags.

Keine Fremddakkus laden. Das Ladegerät ist nur zum Laden der mitgelieferten Akkus geeignet. Ansonsten besteht Brand- und Explosionsgefahr.

Das Ladegerät sauber halten. Durch Verschmutzung besteht die Gefahr eines elektrischen Schlages.

Vor jeder Benutzung Ladegerät, Kabel und Stecker überprüfen. Das Ladegerät nicht benutzen, wenn Schäden festgestellt wurden. Das Ladegerät nicht selbst öffnen und nur von qualifiziertem Fachpersonal reparieren lassen. Beschädigte Ladegeräte, Kabel und Stecker erhöhen das Risiko eines elektrischen Schlags.

Das Ladegerät nicht auf leicht brennbarem Untergrund(z.B. Papier, Textilien etc.) bzw. in brandgefährdeter Umgebung betreiben. Wegen der beim Laden auftretenden Erwärmung des Ladegeräts besteht Brandgefahr.

Kinder beaufsichtigen und sicherstellen, dass Kinder nicht mit dem Ladegerät spielen.

INFORMATIONEN ZU SCHWINGUNGEN UND GERÄUSCHEN

Schwingungsemissions- und Geräuschpegel

Der in dieser Bedienungsanleitung angegebene Schwingungs- und Geräuschemissionspegel wurde in einer genormten Prüfung gemäß EN 62841 ermittelt. Die Werte ermöglichen den Vergleich verschiedener Geräte. Außerdem kann die Schwingungs- und Geräuschbelastung bei der Verwendung des Werkzeugs für die in dieser Anleitung aufgeführten Anwendungen vorläufig bewertet werden. Die Verwendung des Werkzeugs für andere Zwecke oder mit anderem oder schlecht gewartetem Zubehör kann die Belastung jedoch erheblich erhöhen.

Bei der Abschätzung der Schwingungs- und Geräuschbelastung sollte auch Folgendes berücksichtigt werden: die Zeiträume, in denen das Werkzeug ausgeschaltet ist, bzw. die Zeiträume, in denen es in Betrieb ist, jedoch nicht genutzt wird. Dies kann die Belastung über die gesamte Arbeitszeit erheblich verringern. Zum Schutz vor den Auswirkungen von Schwingungen und Lärm das Werkzeug und sein Zubehör pflegen, Hände warm halten und die Arbeit gut organisieren.

Sonstige Gefahren

Auch bei bestimmungsgemäßem Gebrauch ist es nicht möglich, alle sonstigen Risikofaktoren auszuschließen.

Folgende Gefahren können durch die Konstruktion und das Design des Elektrowerkzeugs auftreten:



Schädigung der Lunge, wenn keine wirksame Staubmaske getragen wird.



Gehörschäden, wenn kein wirksamer Gehörschutz getragen wird.



Gesundheitsschäden durch Schwingungen, wenn das Elektrowerkzeug über einen längeren Zeitraum verwendet oder nicht ordnungsgemäß gehandhabt und gewartet wird.



WARNUNG! Dieses Elektrowerkzeug erzeugt während des Betriebs ein elektromagnetisches Feld. Unter bestimmten Umständen kann dieses Feld aktive oder passive medizinische Implantate stören. Um die Gefahr schwerer oder tödlicher Verletzungen zu verringern, empfehlen wir Personen mit medizinischen Implantaten, vor der Nutzung dieses Geräts ihren Arzt und den Hersteller des medizinischen Implantats um Rat zu fragen.

MONTAGE

Vor allen Arbeiten am Elektrowerkzeug (z. B. Wartung, Werkzeugwechsel etc.) sowie bei dessen Transport und Aufbewahrung den Drehrichtungsumschalter in Mittelstellung bringen. Unbeabsichtigtes Aktivieren kann zu Schäden führen.

Aufladen des Akkuschaubers

Zunächst die Sicherheitshinweise lesen. Die Ladehinweise einhalten. Das USB-C-Kabelende an den USB-C-Anschluss (Abb. 2) (A) am Akku-Schrauber anschließen. Anschließend das andere USB-Kabelende an ein USB-Ladegerät anschließen oder an eine USB-Steckdose, die ausreichend Strom zum Aufladen des Akku-Schaubers bereitstellen kann. Darauf achten, dass das Kabel keine Knoten oder Knicke aufweist. Wird der Akkuschauber über ein USB-C-Kabel an die Stromversorgung angeschlossen, leuchten drei LED-Kontrollleuchten am Akku-Schrauber (Abb. 2) (B) auf, um den Ladezustand anzuzeigen:

- Blinkendes Licht – Ladevorgang läuft
- Dauerlicht – Ladevorgang abgeschlossen

Wenn der Akku vollständig geladen ist, der Akku-Schrauber jedoch an die Stromversorgung angeschlossen bleibt, leuchten die LED-Kontrollleuchten weiter. Unter normalen Einsatzbedingungen kann der Akku-Schrauber hunderte von Malen aufgeladen werden.

ACHTUNG! Der Ladevorgang erzeugt Wärme im Akku. Ein Aufladen bei Frost vermeiden. Der Akku entlädt sich mit der Zeit, auch wenn das Gerät nicht benutzt wird.

HINWEIS! Der mit diesem Elektrowerkzeug gelieferte Akku enthält nur eine Teilaufladung und muss vor der ersten Benutzung vollständig aufgeladen werden.

Der Lithium-Ionen-Akku ist durch die „Electronic Cell Protection (ECP)“ gegen Tiefentladung geschützt. Bei entladenem Akku wird das Elektrowerkzeug durch eine Schutzschaltung abgeschaltet. Das verwendete Werkzeug dreht sich nicht mehr.



ACHTUNG! Nicht mehr auf den Ein-/Ausschalter drücken, nachdem sich das Gerät automatisch abgeschaltet hat. Der Akku könnte beschädigt sein.



WARNHINWEIS! Den Akku auf einem feuerfesten Untergrund wieder aufladen. Nicht länger als 8 Stunden aufladen.

BENUTZERHINWEISE

Dieser einfache Akkuschauber nimmt verschiedene Arten und Längen von 6,35 mm (1/4") Sechskant-Schraubendreherbits auf.

Einsetzen der Schraubendreherbits (Abb. 3)

Wähle das passende Schraubendreherbit für die zu verwendenden Schrauben. Setze das Schraubendreherbit in die Schraubendreherbitaufnahme ein, bis es fest eingerastet ist.

Hinweis: Es ist ratsam, vor dem Eindrehen von Schrauben mit diesem Werkzeug vorzubohren.

EIN- und AUSSCHALTEN

Zum Schrauben den ON/OFF-Schalter (3) drücken. Bei Loslassen des ON/OFF-Schalters hält der Akkuschauber an. Zum Herausdrehen von Schrauben und Ändern der Drehrichtung den Drehrichtungsschalter (7) drücken.

Automatische Spindelarrretierung

Die Spindel wird beim Ausschalten des Werkzeugs automatisch arretiert. Dies ermöglicht den Gebrauch des Geräts als manuelles Werkzeug.

Bitaufnahme, magnetisch

Die Einsätze, die aktuell verwendet werden, können in der magnetischen Bitaufnahme (5) oben am Akkuschauber platziert werden, damit sie während der Arbeit griffbereit sind.

LED-Arbeitslicht

Der Akkuschauber verfügt über ein integriertes Arbeitslicht, um den Arbeitsbereich zu beleuchten. Das LED-Arbeitslicht leuchtet jedes Mal auf, wenn der Schalter gedrückt wird, und schaltet sich ab, wenn der Finger vom Schalter genommen wird.

Wartung und Pflege

Den Akkuschauber stets sauber und trocken halten, um einen korrekten und sicheren Betrieb zu gewährleisten. Verschmutzungen mit einem feuchten, weichen Tuch abwischen. Keine Reinigungs- oder Lösungsmittel verwenden.

Für sichere und ordnungsgemäße Funktion Werkzeug und Ventilationsöffnungen immer sauber halten.

Dieses Produkt ist für den Hausgebrauch geeignet, nicht für die gewerbliche Nutzung oder professionelle Messungen.

Bewahren Sie diese Anleitung zur künftigen Verwendung sorgfältig auf.

Hersteller: IKEA of Sweden AB

Adresse: Box 702, SE-343 81 Älmhult, SCHWEDEN



Batterien und Akkus gehören nicht in den Hausmüll! Verbraucher sind gesetzlich verpflichtet, Batterien und Akkus, an einer Sammelstelle in der Gemeinde/in der Nähe abzugeben oder über einen gewerblichen Anbieter von Batterieentsorgungen der Entsorgung zuzuführen, damit sie umweltgerecht entsorgt werden können. Dies gilt unabhängig davon, ob sie schädliche Stoffe* enthalten oder nicht.

* gekennzeichnet mit: Cd = Cadmium, Hg = Quecksilber, Pb = Blei



Das Symbol mit der durchgestrichenen Abfalltonne bedeutet, dass das Produkt getrennt vom Haushaltsabfall entsorgt werden muss. Das Produkt muss gem. der örtlichen Entsorgungsvorschriften der Wiederverwertung zugeführt werden. Durch separate Entsorgung des Produkts trägst du zur Minderung des Verbrennungs- oder Deponieabfalls bei und reduzierst eventuelle negative Einwirkungen auf die menschliche Gesundheit und die Umwelt. Weitere Informationen im IKEA Einrichtungshaus.

Italiano

TRIXIG avvitatore senza fili 3.6 V

SPECIFICHE TECNICHE

Modello: TRIXIG

Tipo: P2201

Tensione: 3.6 Vdc.

Tipo di batteria: 1.5 Ah/ 5.4Wh agli ioni di litio

Tempo di ricarica: < 300 minuti

Coppia massima su superfici dure: circa 5 Nm

Velocità massima senza carico: 200/min

Portapunta: 6.35 mm (1/4")

Vibrazione (secondo gli standard EN 62841-1, EN 62841-2-2):

Avvitamento senza impatto: $a_n=0.34 \text{ m/s}^2$, $K=1.5 \text{ m/s}^2$.

Rumore (secondo lo standard EN 62841-1):

Pressione acustica $L_{pA} = 62 \text{ dB (A)}$, $K_{pA} = 5 \text{ dB (A)}$

Potenza acustica $L_{wA} = 70 \text{ dB (A)}$, $K_{wA} = 5 \text{ dB (A)}$

SOLO PER INTERNI.

Valori di ricarica consigliati:

5.0 Vcc / 1.0-3.0 A (tipo C), temperatura di ricarica 0-50°C

Caratteristiche del prodotto

La numerazione delle caratteristiche del prodotto mostrate si riferisce alla figura 1 nella pagina con le immagini.

1. Corpo dell'avvitatore
2. Portapunte dell'avvitatore
3. Interruttore ON/OFF
4. Presa di ricarica USB-C
5. Portapunte magnetico
6. Spia a LED
7. Interruttore della direzione di rotazione
8. Indicatore di stato dell'alimentazione a LED

NOTA!

Il cavo USB-C e il caricabatterie USB non sono inclusi.

AREE D'USO

Questo avvitatore elettrico può essere utilizzato per serrare e rimuovere viti.

L'attrezzo dev'essere utilizzato esclusivamente per lo scopo prescritto. Qualsiasi eventuale uso diverso è da considerarsi scorretto.

ISTRUZIONI DI SICUREZZA GENERALI

Istruzioni di sicurezza generali



AVVERTENZA! Leggere tutte le avvertenze in materia di sicurezza, le istruzioni, le illustrazioni e le specifiche fornite insieme a questo attrezzo elettrico. La mancata osservanza di tutte le istruzioni elencate qui di seguito potrebbe provocare scosse elettriche, incendi e / o lesioni gravi.

Salvare tutte le avvertenze e le istruzioni per poterle consultare in futuro

Il termine “attrezzo elettrico” nelle avvertenze si riferisce all'attrezzo elettrico funzionante a corrente (con cavo) o a batteria (senza cavo).

Sicurezza nell'area di lavoro

- Tieni l'area di lavoro pulita e ben illuminata.** Se le aree sono scure e disordinate il rischio di incidenti aumenta.
- Non utilizzare gli utensili elettrici in atmosfera esplosiva, ad esempio in presenza di liquidi, gas o polveri infiammabili.** Gli utensili elettrici creano scintille che possono dar fuoco alle polveri o ai fumi.
- Tieni i bambini e altri presenti a distanza quando si utilizzano utensili elettrici.** Una distrazione può causare la perdita di controllo.

Sicurezza elettrica

- Le spine degli utensili elettrici devono essere adatte alle prese. Non modificare mai in alcun modo le spine. Non utilizzare adattatori con utensili elettrici dotati di messa a terra.** L'utilizzo di spine non alterate e di prese adatte riduce il rischio di scossa elettrica.
- Evita di toccare con il corpo superfici collegate a terra, ad esempio tubazioni, caloriferi, fornelli e frigoriferi.** Il rischio di scossa elettrica aumenta se il corpo è a contatto con il terreno.
- Non esporre gli utensili elettrici alla pioggia o all'umidità.** Se penetra dell'acqua nell'utensile elettrico il rischio di scossa elettrica aumenta.
- Utilizza correttamente il cavo. Non utilizzare mai il cavo per trasportare, trascinare o scollegare l'utensile elettrico.** Tieni il cavo al riparo da calore, olio e parti mobili o taglienti. Se i cavi sono danneggiati o aggrovigliati il rischio di scossa elettrica aumenta.
- Quando utilizzi gli utensili elettrici all'aperto, usa una prolunga per esterni.** Usando un cavo adatto agli esterni si riduce il rischio di scossa elettrica.
- Se devi necessariamente usare un utensile elettrico in un ambiente umido, utilizza un interruttore differenziale (RCD).** L'uso di un interruttore differenziale riduce il rischio di scossa elettrica.

Sicurezza personale

- a. **Presta sempre la massima attenzione, concentrati sull'operazione che stai effettuando e segui il buon senso quando utilizzi utensili elettrici.** Non usare utensili elettrici quando sei stanco o sotto l'effetto di droghe, alcol o medicinali. Un momento di distrazione durante l'utilizzo di utensili elettrici può causare gravi danni personali.
- b. **Utilizza attrezzature protettive personali. Indossa sempre delle protezioni per gli occhi.** L'utilizzo di attrezzature protettive quali mascherine per polveri, scarpe di sicurezza antiscivolo, elmetti protettivi o protezioni per l'udito nelle condizioni appropriate riduce l'entità di eventuali danni personali.
- c. **Evita l'avvio accidentale. Assicurati che l'interruttore sia su OFF prima di collegare l'utensile alla fonte di alimentazione e/o alle batterie, di afferrarlo o trasportarlo.** Se si trasportano gli utensili elettrici tenendo il dito sull'interruttore o si collegano gli attrezzi quando l'interruttore è su ON possono verificarsi incidenti.
- d. **Rimuovi qualsiasi chiave di regolazione prima di accendere l'utensile elettrico.** Una chiave lasciata collegata a una parte rotante dell'utensile elettrico può causare danni personali.
- e. **Non sbilanciarti. Mantieni sempre una posizione e un equilibrio corretti.** Ciò permette di controllare meglio gli attrezzi in situazioni inattese.
- f. **Indossa indumenti adeguati. Non indossare indumenti ampi o gioielli.** Tieni capelli, indumenti e guanti lontano da parti in movimento. Gli indumenti ampi, i gioielli e i capelli lunghi possono impigliarsi nelle parti in movimento.
- g. **Se sono forniti dispositivi per il collegamento ad apparecchi di estrazione e raccolta delle polveri, assicurati che siano collegati e utilizzati correttamente.** L'uso di tali dispositivi può ridurre i pericoli causati dalla polvere.
- h. **Anche se conosci bene il prodotto perché lo usi spesso, segui sempre le norme di sicurezza.** Un momento di disattenzione, anche solo di una frazione di secondo, può causare danni seri.

Utilizzo e manutenzione dell'utensile elettrico

- a. **Non forzare l'utensile elettrico.** Utilizza l'utensile appropriato per l'uso: è più efficiente e sicuro se usato nelle modalità operative previste.
- b. **Non usare l'utensile elettrico se l'interruttore non consente di accenderlo e spegnerlo.** Qualsiasi utensile elettrico non controllabile da un interruttore è pericoloso e va riparato.
- c. **Scollega la spina dalla fonte di alimentazione e/o dalle batterie prima di regolare, sostituire accessori o riporre l'utensile elettrico.** Queste misure di sicurezza riducono il rischio di avvio accidentale dell'utensile.
- d. **Conserva gli utensili elettrici inutilizzati fuori dalla portata dei bambini e non permetterne l'utilizzo da parte di persone non abituate all'uso dell'utensile stesso o ignare di queste istruzioni.** Gli utensili elettrici sono pericolosi nelle mani di utenti inesperti.
- e. **Manutenzione degli utensili elettrici.** Verifica che le parti mobili non siano disallineate o inceppate, che non vi siano parti danneggiate e qualsiasi altra condizione che possa incidere negativamente sul funzionamento dell'utensile. Se danneggiato, riparalo prima dell'uso. La scarsa manutenzione degli utensili causa molti incidenti.
- f. **Tieni gli utensili da taglio affilati e puliti:** è meno probabile che si inceppino e sono più facili da controllare se i bordi sono taglienti e affilati.

- g. **Usa utensili elettrici, accessori e punte seguendo queste istruzioni e nel modo stabilito per lo specifico tipo di utensile, considerando le condizioni lavorative e il lavoro da eseguire.** L'uso di un utensile elettrico per operazioni diverse da quelle previste causa situazioni pericolose.
- h. **Tieni i manici e le superfici che afferrisci asciutti, privi di olio e grasso.** Manici e superfici scivolosi non consentono una presa salda e il controllo dell'utensile in situazioni impreviste.

Utilizzo e manutenzione dell'utensile a batteria

- a. **Ricarica solo con il caricabatteria specificato dal produttore.** Un caricabatteria adatto a un tipo di batteria può causare il rischio di incendi se utilizzato con un'altra batteria.
- b. **Usa gli utensili elettrici solo con le apposite batterie.** L'uso di qualsiasi altra batteria può comportare il rischio di lesioni e d'incendio.
- c. **Quando le batterie non vengono usate, tienile lontane da altri oggetti di metallo come fermagli per la carta, monete, chiavi, chiodi, viti o altri piccoli oggetti metallici che possono creare un collegamento tra un terminale e l'altro.** Un cortocircuito tra i terminali della batteria può causare ustioni o un incendio.
- d. **In cattive condizioni di utilizzo può fuoriuscire del liquido dalla batteria; evita il contatto. Se si dovesse verificare un contatto accidentale, lava con acqua.** Se il liquido dovesse venire a contatto con gli occhi, rivolgiti immediatamente a un medico. Il liquido emesso dalla batteria può causare irritazioni o ustioni.
- e. **Evitare l'uso di un gruppo batterie o di un attrezzo danneggiati o modificati.** Le batterie danneggiate o modificate potrebbero comportarsi in modo imprevedibile, con conseguente possibilità di incendio o esplosione oppure rischio di lesioni.
- f. **Evitare di esporre un pacco batterie o un attrezzo al fuoco o a temperature eccessive.** L'esposizione al fuoco o ad una temperatura superiore a 130 °C potrebbe provocare un'esplosione.
- g. **Seguire tutte le istruzioni in materia di ricarica ed evitare di ricaricare il gruppo batterie o l'attrezzo al di fuori dell'intervallo di temperatura specificato nelle istruzioni.** Una ricarica eseguita in modo improprio oppure a temperature al di fuori dell'intervallo specificato potrebbe danneggiare la batteria e aumentare il rischio di incendio.

Servizi

- a. **Fai riparare il tuo utensile elettrico da un elettricista qualificato, usando solo pezzi di ricambio identici agli originali.**
In questo modo salvaguardi la sicurezza del tuo utensile elettrico.
- b. **Non sottoporre mai a manutenzione eventuali gruppi batterie danneggiati.** La manutenzione dei gruppi batterie dev'essere eseguita esclusivamente dal produttore oppure da fornitori di servizi autorizzati.

ISTRUZIONI DI SICUREZZA SPECIFICHE PER L'UTENSILE

Istruzioni di sicurezza per trapani e avvitatori

Quando viene eseguita un'operazione in cui gli accessori da avvitamento potrebbero venire a contatto con eventuali cavi non visibili, impugnare l'attrezzo elettrico mediante le superfici di presa isolate. Gli accessori da avvitamento che toccano un

cavo "scoperto" potrebbero rendere conduttive le parti metalliche esposte dell'attrezzo elettrico e di conseguenza dare la scossa all'operatore

Per rilevare linee di alimentazione nascoste, usa rivelatori adatti o rivolgiti alla società erogatrice locale. Un contatto con linee elettriche può causare incendi e scosse elettriche. Se si danneggia una linea del gas, può verificarsi un'esplosione. Se si fora una tubazione dell'acqua, si rischia di causare danni materiali o una scossa elettrica.

Spegnere immediatamente l'attrezzo elettrico nel caso in cui si bloccasse. È necessario essere preparati ad una coppia di reazione elevata, che può causare contraccolpi. L'attrezzo si blocca quando:

- è soggetto a sovraccarico
- oppure si incastra nell'elemento da perforare.

Tieni fermo l'utensile stringendolo saldamente. Può verificarsi un alto momento di reazione quando serri e allenti le viti.

Fissa stabilmente il pezzo in lavorazione con un apposito dispositivo di serraggio o una morsa, non tenendolo con la mano.

Tieni pulita la zona di lavoro. Miscele di materiali diversi sono molto pericolose. La polvere di metalli leggeri può incendiarsi o esplodere.

Prima di posare l'utensile elettrico, aspetta che si sia fermato completamente. L'accessorio può incepparsi, facendoti perdere il controllo dell'utensile.

Evita l'accensione accidentale. Assicurati che l'interruttore a leva sia su OFF prima di inserire le batterie. Se si trasporta l'utensile elettrico tenendo il dito sull'interruttore a leva o si inseriscono le batterie negli attrezzi quando l'interruttore è su ON possono verificarsi incidenti.

Istruzioni di sicurezza per caricabatteria



Solo per interni.

Tieni il caricabatteria lontano da pioggia o umidità. La penetrazione di acqua nel caricabatteria aumenta il rischio di scosse elettriche.

Non caricare altre batterie. Il caricabatteria è adatto solo alla carica delle batterie che vengono fornite con l'utensile elettrico, altrimenti c'è il rischio di incendio e di esplosione.

Tieni pulito il caricabatteria. Gli accumuli di sporcizia possono causare scosse elettriche.

Prima di ogni utilizzo, controlla il caricabatteria, il cavo e la spina. Se danneggiati, non usare il caricabatteria. Non aprire mai da solo il caricabatteria. Fai eseguire le riparazioni solo da un tecnico qualificato. I caricabatteria, le spine e i cavi danneggiati aumentano il rischio di scossa elettrica.

Non utilizzare il caricabatteria su superfici facilmente infiammabili (ad esempio carta, tessuti, ecc.) o nelle loro vicinanze. Il riscaldamento del caricabatteria durante il processo di carica può comportare un rischio di incendio.

È necessaria la supervisione di un adulto per assicurarsi che i bambini non giochino con il caricabatteria.

INFORMAZIONI SU VIBRAZIONI E RUMORE

Livello di vibrazioni e rumore

Il livello di emissione di vibrazioni e rumore indicato nel presente manuale di istruzioni è stato misurato in conformità ad un test standardizzato a norma EN 62841. Può essere utilizzato per confrontare un attrezzo con un altro e come valutazione preliminare dell'esposizione a vibrazioni e rumore quando l'attrezzo viene utilizzato per le applicazioni descritte nel presente manuale. Tuttavia, l'uso dell'attrezzo per applicazioni diverse, oppure con accessori diversi o sottoposti ad una scarsa manutenzione, potrebbe aumentare significativamente il livello di esposizione.

Una stima del livello di esposizione a vibrazioni e rumore deve inoltre tener conto dei momenti in cui l'attrezzo è spento oppure è in funzione senza essere utilizzato, in quanto ciò potrebbe ridurre significativamente il livello di esposizione durante l'intera operazione. È necessario proteggersi dagli effetti di vibrazioni e rumore sottoponendo a manutenzione l'attrezzo e i suoi accessori, tenendo le mani al caldo e preparando correttamente l'operazione da eseguire.

Altri rischi

Anche quando l'attrezzo elettrico viene utilizzato come prescritto, non è possibile eliminare tutti gli altri fattori di rischio. La costruzione e la progettazione dell'attrezzo elettrico potrebbero far scaturire i seguenti rischi:



Danni ai polmoni qualora non venisse indossata una maschera antipolvere efficace.



Danni all'udito qualora non venisse indossata una protezione auricolare efficace.



Danni alla salute provocati dalle vibrazioni qualora l'attrezzo elettrico venisse utilizzato troppo a lungo oppure non venisse maneggiato e sottoposto a manutenzione in modo appropriato.



AVVERTENZA! Durante il suo funzionamento, questo attrezzo elettrico produce un campo elettromagnetico. In determinate circostanze, tale campo potrebbe interferire con impianti medici attivi o passivi. Per ridurre il rischio di lesioni gravi o letali, prima di utilizzare questo attrezzo si raccomanda - alle persone con impianti medici - di consultare il loro medico e il produttore di tali impianti.

MONTAGGIO

Prima di eseguire qualsiasi lavoro sull'attrezzo (ad esempio manutenzione o sostituzione di parti) e prima di trasportarlo o metterlo via, sposta il selettore del senso di rotazione sulla posizione centrale. L'attivazione accidentale del grilletto può causare lesioni.

Ricarica dell'avvitatore

Leggere per prima cosa le istruzioni di sicurezza, quindi le istruzioni di ricarica. Collegare l'estremità del cavo USB-C alla porta USB-C (fig. 2) (A) nell'avvitatore. In seguito, collegare l'altra estremità del cavo USB ad un caricabatterie USB oppure ad una presa USB in grado di fornire energia sufficiente alla ricarica dell'avvitatore. Assicurarsi che il cavo non sia annodato o eccessivamente piegato.

Quando l'avvitatore è collegato alla rete elettrica mediante un cavo USB-C, su di esso si accendono tre diodi (fig. 2) (B) a indicare lo stato di ricarica:

- Luce intermittente - ricarica in corso
- Luce fissa - ricarica completata

Quando la batteria dell'avvitatore si è ricaricata completamente e l'avvitatore resta collegato all'alimentazione, i diodi restano accesi. In condizioni d'uso normali, l'avvitatore può essere ricaricato per varie centinaia di volte.

AVVERTENZA! La batteria si scalda durante il processo di ricarica. È sconsigliabile ricaricare la batteria quando la temperatura è sotto zero. La batteria perderà gradualmente la sua carica nel corso del tempo, anche se l'attrezzo non viene utilizzato.

NOTA! La batteria fornita con l'avvitatore è stata caricata esclusivamente a scopo di test e deve essere ricaricata completamente prima di essere utilizzata per la prima volta.

La tecnologia "Electronic Cell Protection (ECP)" protegge la batteria al litio impedendo che si scarichi completamente. Quando la batteria è scarica, l'apparecchio si spegne per mezzo di un circuito protettivo: l'utensile inserito smette di ruotare.



AVVERTENZA Non continuare a premere l'interruttore On/Off una volta che l'apparecchio si è spento automaticamente. La batteria può danneggiarsi.



AVVERTENZA! Ricarica la batteria su una superficie non infiammabile. Non ricaricare la batteria per più di otto ore.

ISTRUZIONI PER L'USO

Funzionamento

Questo modello base di avvitatore senza fili è compatibile con punte di vari tipi e lunghezze che abbiano un gambo esagonale di mm 6,35 (1/4") (diametro del cerchio inscritto nel poligono).

Montaggio delle punte avvitatore (Fig. 3)

Seleziona la punta adatta alla vite che vuoi utilizzare. Inserisci la punta nell'avvitatore, spingendola bene a fondo. N.B. È consigliabile eseguire sempre un foro pilota prima di avvitare le viti con questo prodotto.

Accensione e spegnimento

Per avvitare, premere l'interruttore ON/OFF (3). Il rilascio dell'interruttore ON/OFF interromperà l'uso dell'avvitatore. Per svitare e modificare il senso di rotazione, premere l'interruttore della direzione di rotazione (7).

Mandrino autobloccante

Il mandrino si blocca automaticamente allo spegnimento dell'avvitatore, permettendo di utilizzarlo come utensile manuale.

Portapunta magnetico

Il portapunta magnetico (5) sulla parte superiore dell'avvitatore è utile per tenere a portata di mano le punte di cui hai bisogno per il tuo lavoro.

Luce di lavoro a LED

L'avvitatore è dotato di luce a LED integrata che serve a illuminare l'area di lavoro. La luce a LED si accende quando viene premuto l'interruttore a grilletto e si spegne quando questo viene rilasciato.

Manutenzione e pulizia

Mantieni l'avvitatore sempre pulito e asciutto per garantire un utilizzo efficace e sicuro. Rimuovi eventuali detriti con un panno morbido inumidito con acqua. Non utilizzare detergenti o solventi.

Per un utilizzo sicuro e corretto, tieni sempre puliti l'apparecchio e le prese di ventilazione.

Questo prodotto è destinato all'uso domestico e non è adatto all'uso commerciale e a misurazioni professionali.

Conservare il manuale per consultazione futura.

Produttore: IKEA of Sweden AB

Indirizzo: Box 702, SE-343 81 Älmhult, SVEZIA



Le batterie - ricaricabili o meno - non sono rifiuti domestici! In qualità di consumatore, l'utente è tenuto per legge a smaltire tutte le batterie e gli accumulatori, indipendentemente dal fatto che contengano o meno sostanze nocive*, presso un punto di raccolta nel suo comune / quartiere oppure tramite un'entità commerciale che offre lo smaltimento delle batterie, per far sì che possano essere smaltite in modo ecologicamente corretto.

* contrassegnate da: Cd = cadmio, Hg = mercurio, Pb = piombo



Il simbolo del cassonetto barrato indica che il prodotto non può essere eliminato con i comuni rifiuti domestici. Il prodotto dev'essere riciclato nel rispetto delle norme ambientali locali per lo smaltimento dei rifiuti. Separando un prodotto contrassegnato da questo simbolo dai rifiuti domestici, aiuterai a ridurre il volume dei rifiuti destinati agli inceneritori o alle discariche, minimizzando così qualsiasi possibile impatto negativo sulla salute umana e sull'ambiente. Per saperne di più, contatta il negozio IKEA più vicino a te.

